

SPEAKER MOUNTING BRACKET HY-0421WL


Please follow the instructions in this manual to obtain the optimum results from this unit.
We also recommend that you keep this manual handy for future reference.


■ SAFETY PRECAUTIONS

- Be sure to read the instructions in this section carefully before use.
- Make sure to observe the instructions in this manual as the conventions of safety symbols and messages regarded as very important precautions are included.
- We also recommend you keep this instruction manual handy for future reference.

Safety Symbol and Message Conventions

Safety symbols and messages described below are used in this manual to prevent bodily injury and property damage which could result from mishandling. Before operating your product, read this manual first so you are thoroughly aware of the potential safety hazards as well as understand the safety symbols and messages.

 **WARNING** Indicates a potentially hazardous situation which, if mishandled, could result in death or serious personal injury.

 **CAUTION** Indicates a potentially hazardous situation which, if mishandled, could result in moderate or minor personal injury, and/or property damage.

WARNING

- Install the unit only in a location that can structurally support the weight of the unit and the speaker. Doing otherwise may result in the speaker falling down and causing personal injury and/or property damage.

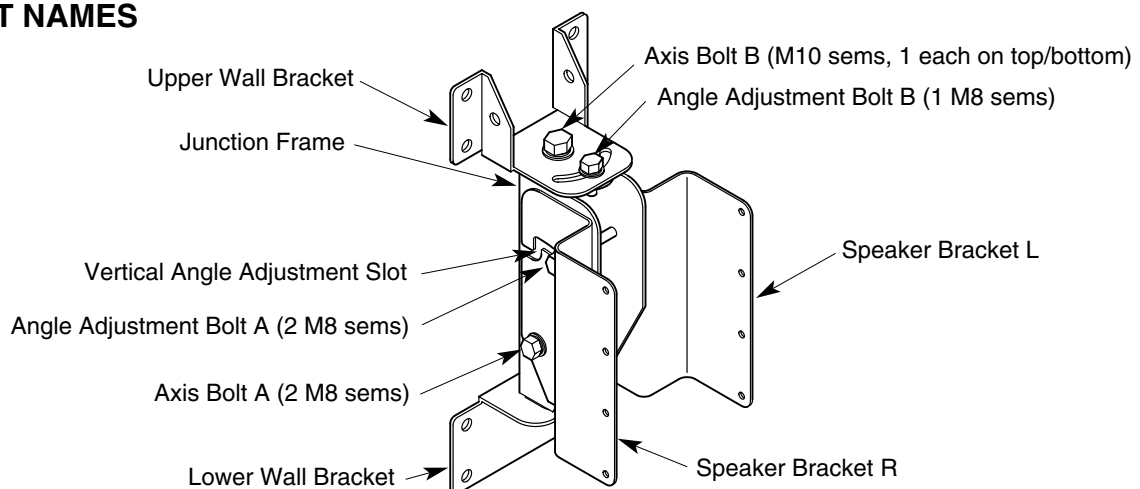
CAUTION

- Do not hang from the speaker. It could detach and fall, causing personal injuries.

■ GENERAL DESCRIPTION

The HY-0421 bracket is used to mount the speaker systems ES-0422, ES-0424, and ES-0426 on the wall. The maximum speaker weight that can be connected to this bracket is 18 kg.

■ PART NAMES



■ MOUNTING THE SPEAKER

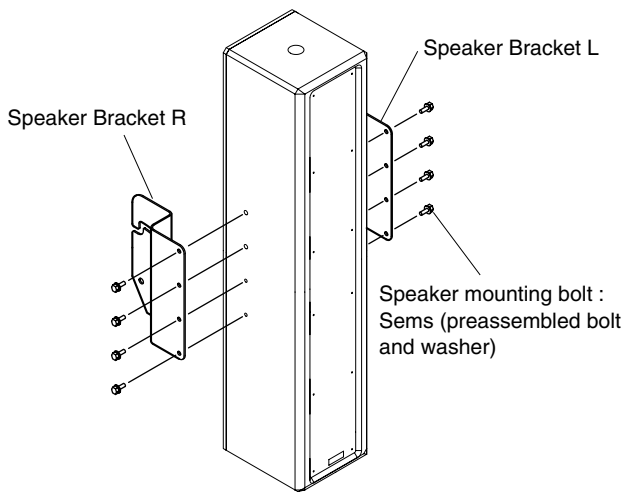
1. Remove two axis bolts A, then loosen two angle adjustment bolts A (for vertical angle adjustment) to detach Speaker Brackets L and R from the junction frame. (Loose the angle adjustment bolts A with their heads enough sticking out to grasp the bracket between the junction frame and sems* washer.)

* Preassembled bolt and washer

Note

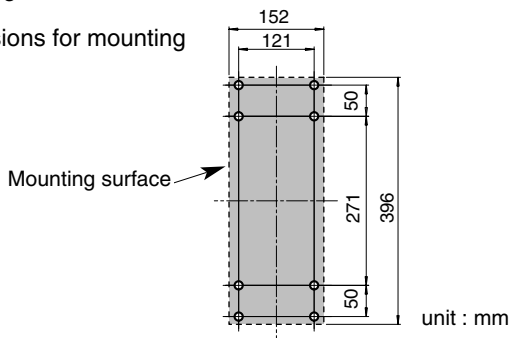
Take care not to loosen the speaker bracket fixing bolts extremely.

2. Remove eight M5 screws located on the sides (four on each side) of the speaker, then secure Speaker Brackets L and R to the sides of the speaker using the supplied speaker mounting bolts (8 M5 sems).



3. Secure the junction frame assembly (consisting of the junction frame and Upper and Lower Wall Brackets) to the wall by attaching the two Wall Brackets to the wall using eight bolts.

Dimensions for mounting



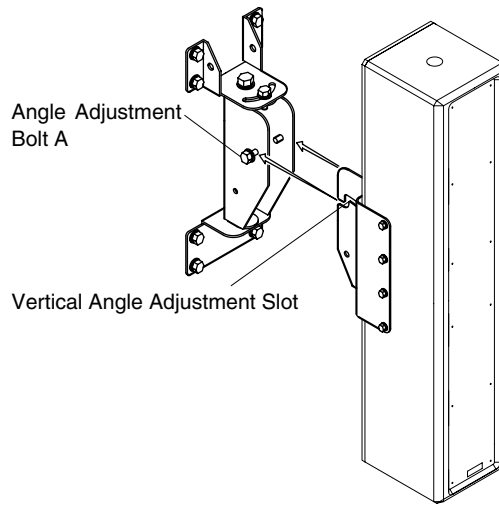
⚠ WARNING

Check to ensure that the mounting surface is strong enough to withstand the weight of a load before beginning installation.

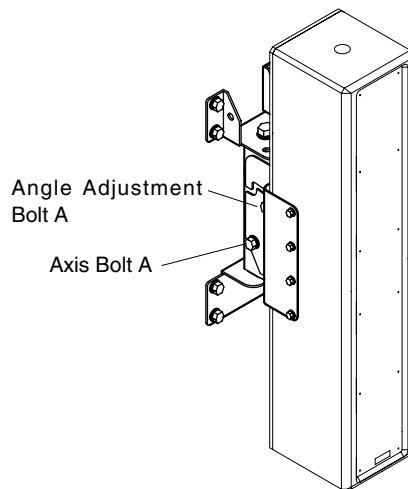
Notes

- The nuts and bolts required to mount the speaker to the ceiling or wall are not supplied with the unit. Use nuts and bolts suited to the materials and structure of the wall.
- Be sure to secure the junction frame assembly at eight places.

4. Fit the vertical angle adjustment slots in Speaker Brackets L and R attached to the sides of the speaker onto two angle adjustment bolts A inserted into the junction frame, then secure the speaker temporarily.



5. Lightly turn clockwise two axis bolts A to secure Speaker Brackets L and R. Set the speaker's vertical angle, and tighten the adjustment bolts A and axis bolts A.



6. Adjust the speaker's horizontal angle by slightly loosening both the axis bolts B and angle adjustment bolt B (for horizontal angle adjustment). Then, retighten all bolts after adjustment.

7. To ensure safety, retighten all the bolts after speaker angle adjustment completion.

■ ACCESSORIES

Speaker mounting bolt (M5 sems) 8

