

SPEAKER SYSTEM

PS-16BM, PS-16WM PS-32BM, PS-32WM


Please follow the instructions in this manual to obtain the optimum results from this unit.
We also recommend that you keep this manual handy for future reference.


1. SAFETY PRECAUTIONS

- Be sure to read the instructions in this section carefully before use.
- Make sure to observe the instructions in this manual as the conventions of safety symbols and messages regarded as very important precautions are included.
- We also recommend you keep this instruction manual handy for future reference.

Safety Symbol and Message Conventions

Safety symbols and messages described below are used in this manual to prevent bodily injury and property damage which could result from mishandling. Before operating your product, read this manual first so you are thoroughly aware of the potential safety hazards as well as understand the safety symbols and messages.

 **WARNING** Indicates a potentially hazardous situation which, if mishandled, could result in death or serious personal injury.

 **CAUTION** Indicates a potentially hazardous situation which, if mishandled, could result in moderate or minor personal injury, and/or property damage.

WARNING

- Install the speaker only in a location that can structurally support the weight of the speaker and the mounting bracket. Doing otherwise may result in the speaker falling down and causing personal injury and/or property damage.
- Be sure to attach the supplied safety bracket after mounting the speaker to the mounting bracket. Failure to attach the safety bracket may cause the speaker to drop, resulting in personal injuries.

CAUTION

- Do not stand or sit on, nor hang down from the speaker as this may cause it to fall down or drop, resulting in personal injury and/or property damage.
- Do not operate the speaker for an extended period of time with the sound distorting. This is an indication of a malfunction, which in turn can cause heat to generate and result in a fire.

2. GENERAL DESCRIPTION

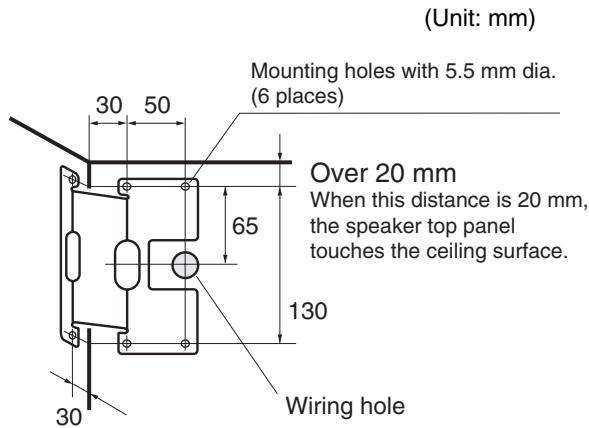
Designed with an emphasis on the sound quality, TOA's corner speaker system can be cleanly mounted in the corner of the room. The speaker system is small in size yet enhances the low frequencies to reproduce rich sound when installed in the corner. It can be mounted in the room corner, ceiling, and wall using the supplied mounting bracket. Its ideal applications include stores and assembly halls.

3. MOUNTING THE BRACKET

- Attach the supplied bracket to a heavy-duty wall, ceiling or room corner to withstand a load of the unit and bracket.
- When only one of the two walls of the corner can be used, attach the bracket's larger plate (having four mounting holes) to that wall.

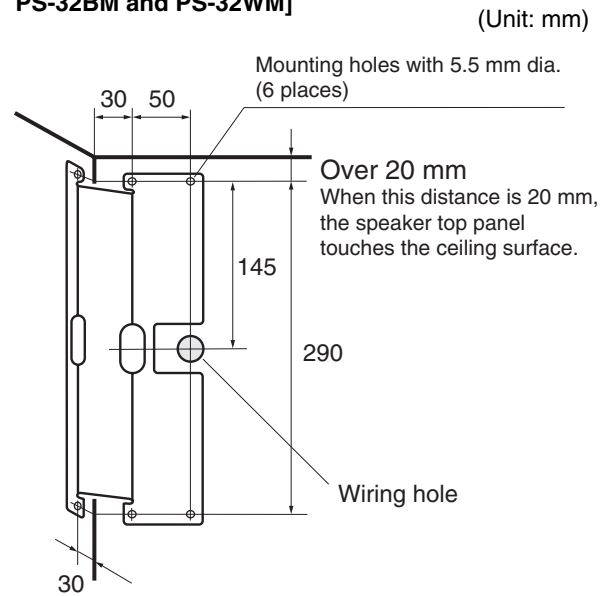
Note: No mounting screws are supplied with the unit. Use screws suited to materials of the wall or ceiling.

[Bracket corner installation example for the PS-16BM and PS-16WM]



Note: Be sure to secure the bracket firmly using four screws or more.

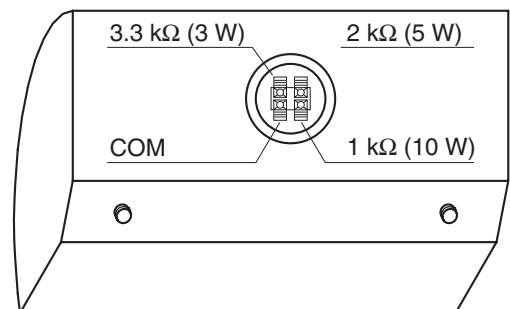
[Bracket corner installation example for the PS-32BM and PS-32WM]



4. CONNECTIONS

4.1. High Impedance (100 V Line) Connection

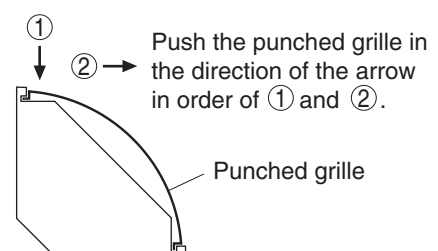
- One out of 1 k Ω (10 W), 2 k Ω (5 W), and 3.3 k Ω (3 W) input terminals can be selected.
- Connect the selected terminal and COM terminal to an amplifier.



4.2. Low Impedance (8 Ω) Connection

Terminals are provided for high impedance operation when the speaker system is supplied from the factory. When making low impedance connections, change internal wiring by following the procedures below:

1. Remove the punched grille (see the figure at right).
2. Remove the speaker element.
3. Disconnect cables (black and red) between the matching transformer and speaker element at the speaker element.

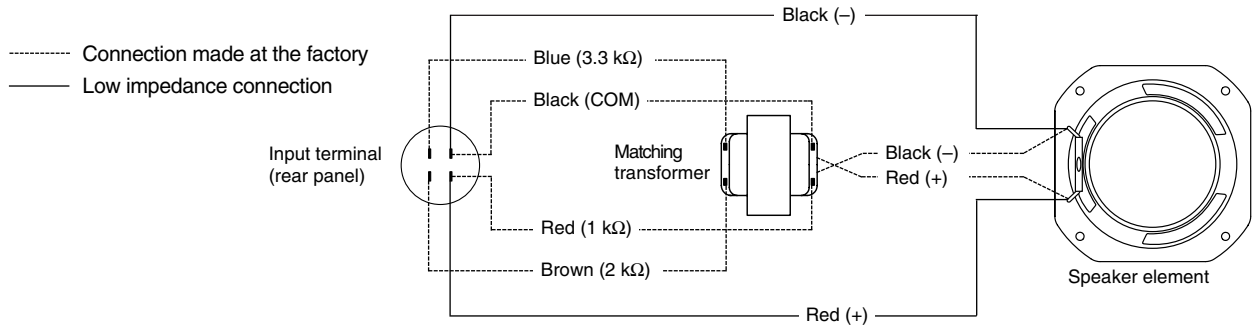


Note

To prevent the terminals of the disconnected cables from contacting other terminals, wrap the insulation tape round the terminals or cut them off from the disconnected cables.

4. Disconnect cables (black and red) between the input terminal and matching transformer at the transformer, and reconnect the cables (black: negative/red: positive) to the speaker element.
5. Mount the speaker element and grille in place.
6. Place the supplied input terminal indication label for 8 Ω over the currently-attached label.

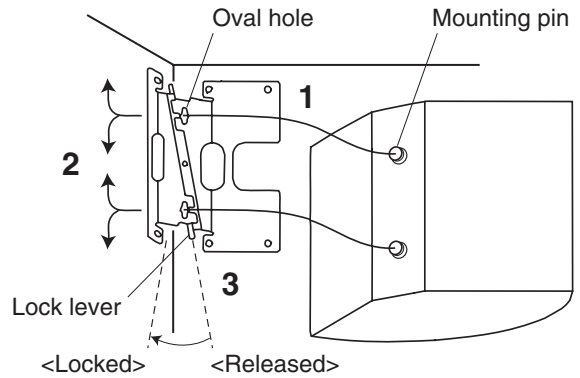
• **Wiring Diagram**



5. SPEAKER INSTALLATION

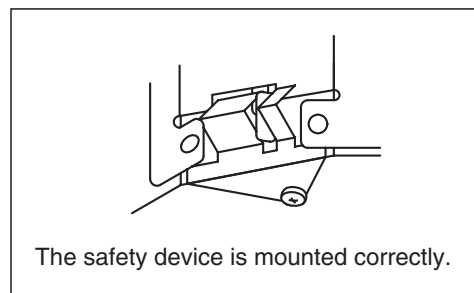
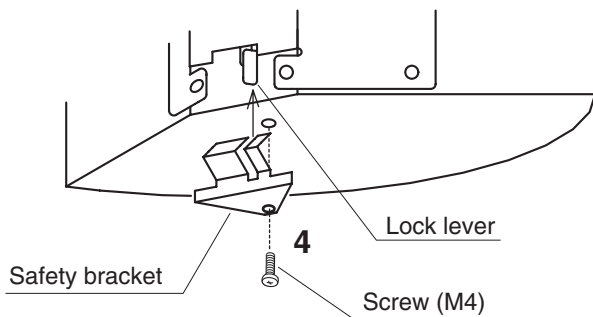
First complete wiring, then install the speaker by following the procedures below.

1. Align the speaker mounting pins (at 2 places) with the center of oval holes in the bracket, then insert them.
2. Slide the inserted pins in either direction indicated by the arrow.
3. Move a lock lever till it clicks to lock the mounting pins.
4. Attach the supplied safety bracket with a screw as shown below.



⚠ Caution : Be sure to attach the supplied safety bracket. Failure to attach the safety bracket may cause the speaker to drop, resulting in personal injuries.

- Only one safety bracket is supplied with the speaker. Mount the safety bracket to either side of the speaker.
- Attach the safety bracket as shown below by aligning its slot with the lock lever so that the lock lever is held between the two tabs of the safety bracket.



Notes

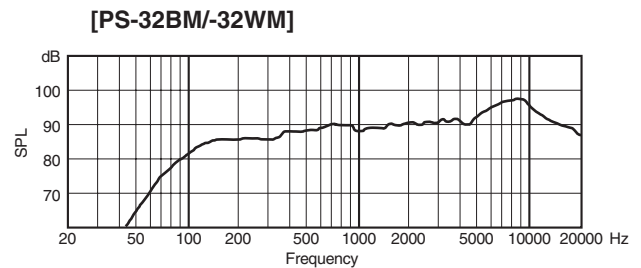
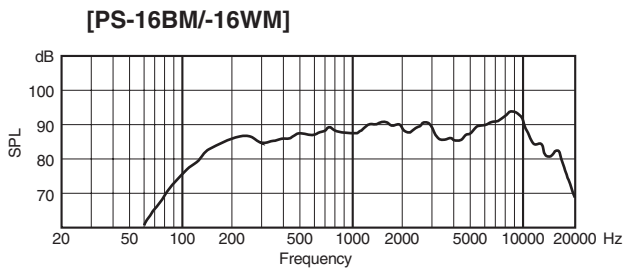
- For added safety, check to verify the following points again after speaker installation completion.
 - The speaker is not floating from the mounting surface.
 - The safety bracket is mounted correctly as shown above.
 - The speaker does not come off even when pushed horizontally and vertically by the hand.
- When detaching the speaker system, secure to hold it not to fall, and release the lock lever.

6. SPECIFICATIONS

	PS-16BM / -16WM	PS-32BM / -32WM
Enclosure	Full range unit, bass reflex type	2-way bass reflex type
Rated Input Power	10 W (continuous program input: 45 W for low impedance connection)	
Impedance	1 k Ω (10 W), 2 k Ω (5 W), 3.3 k Ω (3 W), 8 Ω (low impedance connection)	
Output Sound Pressure Level	89 dB (1 W / 1 m)	90 dB (1 W / 1 m)
Frequency Response	125 – 18,000 Hz	100 – 20,000 Hz
Crossover Frequencies	—————	6,000 Hz
Woofers	10 cm cone speaker	10 cm cone speaker
Tweeters	—————	2 cm film tweeter
Dimensions	220 (W) x 160 (H) x 130 (D) mm	220 (W) x 320 (H) x 130 (D) mm
Weight	1.5 kg	2.6 kg
Materials	Case: Wood Punched grille: Steel sheet	
Finish	Case: Polyurethane paint (BM: Black / WM: White) Punched grille: Acrylic paint (BM: Black / WM: White)	

* These specifications are subject to change without notice.

• Output Sound Pressure Level vs. Frequency Response (Anechoic Chamber, 1 W/1 m)

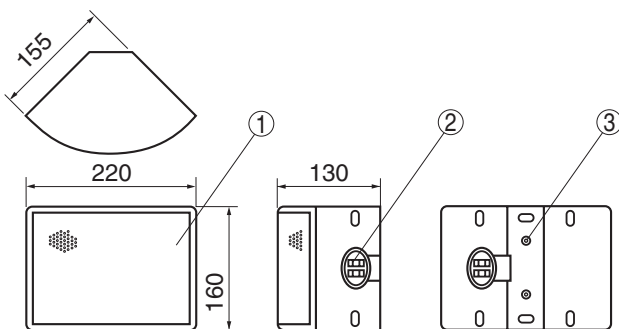


• Accessories

Mounting bracket	1	Input terminal indication label for 8 Ω	1
Safety bracket	1	Instruction manual	1
Screw (M4)	1	Warranty card	1

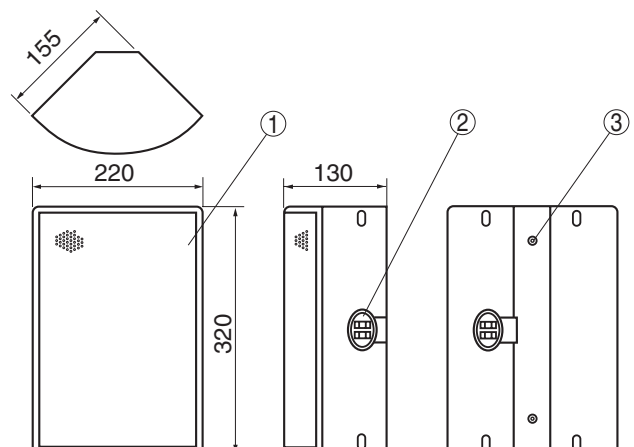
• Dimensional diagram

PS-16BM/-16WM



- ① Punched grille
- ② Input terminal
- ③ Mounting pin

PS-32BM/-32WM



Unit: mm



TOA Corporation

Printed in Japan
333-01-035-6A