

WALL MOUNTING BRACKET

SP-1100

Thank you for purchasing TOA's Wall Mounting Bracket. Please carefully follow the instructions in this manual to ensure long, trouble-free use of your equipment.

1. SAFETY PRECAUTIONS

- Before installation or use, be sure to carefully read all the instructions in this section for correct and safe operation.
- Be sure to follow all the precautionary instructions in this section, which contain important warnings and/or cautions regarding safety.
- After reading, keep this manual handy for future reference.

⚠ WARNING
Indicates a potentially hazardous situation which, if mishandled, could result in death or serious personal injury.

- Install the unit only in a location that can structurally support the weight of the unit and the mounting bracket. Doing otherwise may result in the unit falling down and causing personal injury and/or property damage.
- Avoid mounting the bracket in locations where people could accidentally bump into it. Failure to observe this could result in personal injury.

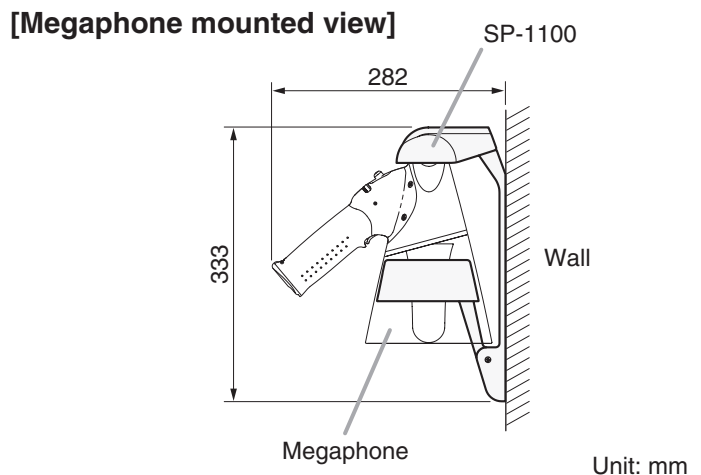
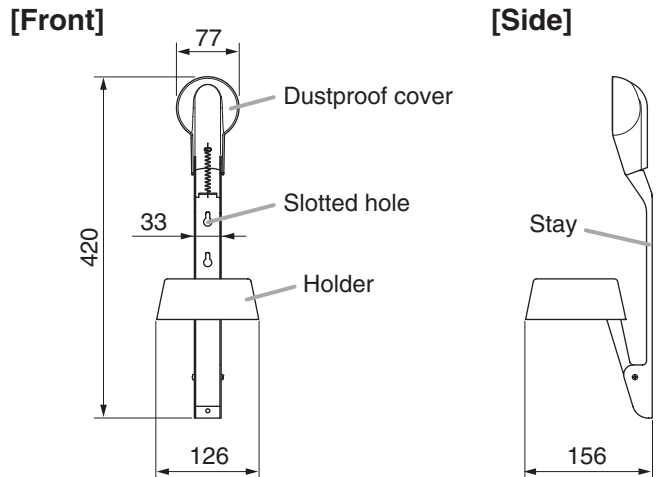
⚠ CAUTION
Indicates a potentially hazardous situation which, if mishandled, could result in moderate or minor personal injury, and/or property damage.

- Since the unit is designed for indoor use, do not install it outdoors. If installed outdoors, the aging of parts causes the unit to fall off, resulting in personal injury. Also, when it gets wet with rain, there is a danger of electric shock.
- Use the specified megaphone in combination. Doing otherwise may cause the unit or component to fall off, resulting in personal injury.
- Do not stand or sit on, nor hang down from the unit as this may cause it to fall down or drop, resulting in personal injury and/or property damage.

2. GENERAL DESCRIPTION

The SP-1100 bracket is designed to be used exclusively to mount the ER-1203 and ER-1206 series megaphones on a wall. It permits the megaphone to be installed in easy-to-see locations, and the megaphone can be easily mounted and detached. The dustproof cover protects the megaphone's mouthpiece while the megaphone is placed in the bracket, offering improved hygienic safety.

3. NOMENCLATURE AND DIMENSIONAL DIAGRAM



4. SPECIFICATIONS

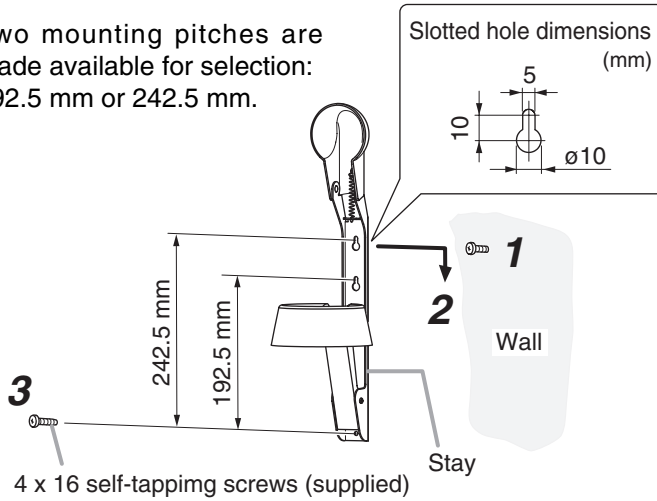
Finish	Stay: Stainless steel (SUS304) Holder, dustproof cover: ASA resin, dark gray clear
Dimensions	[With dustproof cover and holder open] 126 (w) x 420 (h) x 156 (d) mm
Weight	410 g
Usable Megaphone	ER-1203, ER-1206, ER-1206S, ER-1206W

Note: The design and specifications are subject to change without notice for improvement.

- **Accessories**
4 x 16 tapping screws 2

5. INSTALLATION

Two mounting pitches are made available for selection: 192.5 mm or 242.5 mm.



Step 1. Install a self-tapping screw temporarily into the wall.

Notes

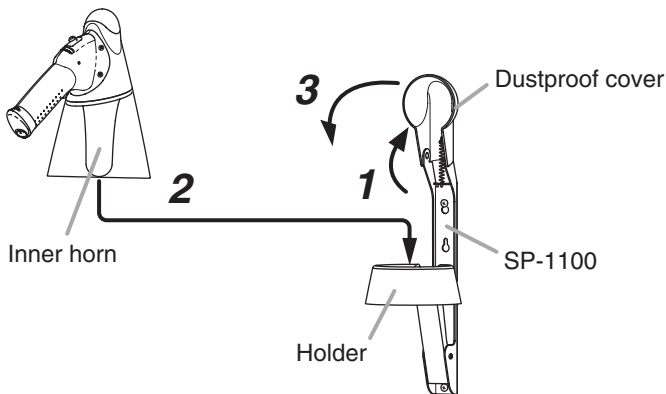
- Use the screw that is appropriate for the construction of the wall.
- Two 4 x 16 self-tapping screws are supplied with the SP-1100 bracket.

Step 2. Hook the bracket's slotted hole over the screw head. Slide the bracket down in the direction indicated by the arrow.

Step 3. Align the bracket vertically, then fix the bottom part of the bracket with another self-tapping screw.

Step 4. Tighten both the top and bottom screws to securely mount the bracket to the wall.

6. MOUNTING THE MEGAPHONE



Step 1. Raise the bracket's dustproof cover.

Step 2. Place the megaphone on the holder with its front down.

Step 3. Lower the dustproof cover of the bracket.

When detaching the megaphone from the bracket, reverse the above procedures.

Note: Lift the megaphone to detach. The dustproof cover opens if the megaphone is lifted.

7. FOLDING THE BRACKET

The holder and dustproof cover can fold if the megaphone is removed.

Fold the holder first, and then the dustproof cover.

When mounting the megaphone, open the dustproof cover first, and then the holder.

