



**SPEAKER MOUNTING
BRACKET**
YS-150WP
1. SAFETY PRECAUTIONS

- Be sure to read the instructions in this section carefully before use.
- Make sure to observe the instructions in this manual as the conventions of safety symbols and messages regarded as very important precautions are included.
- We also recommend you keep this instruction manual handy for future reference.

• Symbols

Caution action	Prohibited action
	
Caution	Prohibition

WARNING

Indicates a potentially hazardous situation which, if mishandled, could result in death or serious personal injury.

Install the mounting bracket only in a location that can structurally support the weight of the speaker and the mounting bracket. Doing otherwise may result in the speaker falling down, causing personal injury and/or property damage.

Caution

CAUTION

Indicates a potentially hazardous situation which, if mishandled, could result in moderate or minor personal injury, and/or property damage.

Do not stand or sit on, nor hang down from the mounted speaker as this may cause it to fall down or drop, resulting in personal injury and/or property damage.

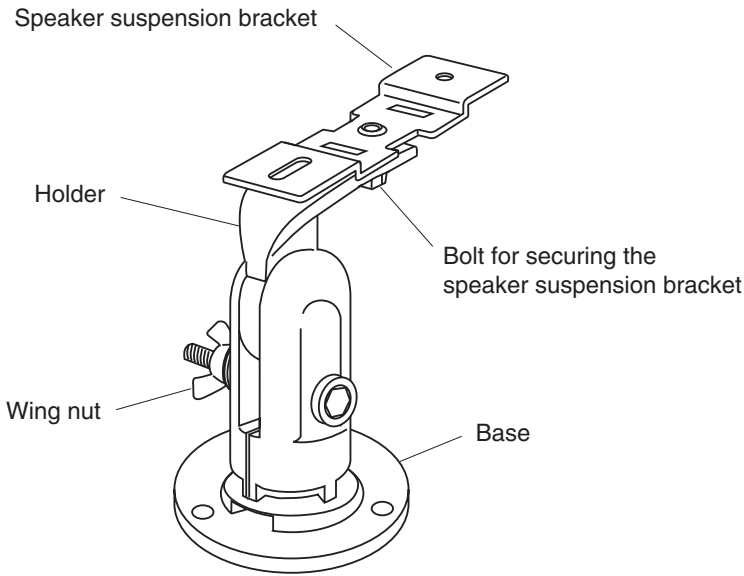


Prohibition

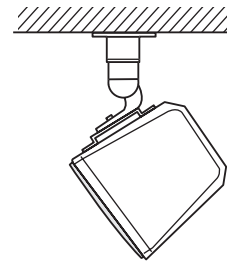
2. GENERAL DESCRIPTION

This TOA speaker mounting bracket is designed for use exclusively with the F-160WP speaker system to mount it on both a wall or ceiling. Speaker direction can be changed freely within 360° horizontally and 180° vertically, and fixed at your desirous angle.

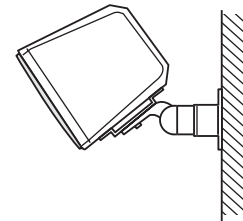
3. NOMENCLATURE AND INSTALLATION



- Mounting Example of the Speaker to a Ceiling (Eaves)



- Mounting Example of the Speaker to a Wall

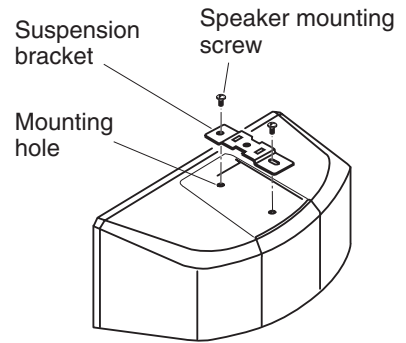


■ Procedures

1. Mount the speaker suspension bracket to the holes on the top of the speaker using two speaker mounting screws (M5). Refer to the right figure.
2. Fix the base to a ceiling (eaves) or wall. Verify that the ceiling (eaves) or wall can safely support the weight of both the speaker mounting bracket and mounted speaker, and reinforce if its strength is insufficient.

Note

No screws are supplied for mounting the base to a ceiling (eaves) or wall. Prepare the commercial screws appropriate for the ceiling (eaves) or wall material.



3. Mount the speaker suspension bracket (fixed to the speaker) to the holder using the supplied bolt (M8).
4. Loosen the wing nut, and tighten it securely after determining the speaker direction.

Caution: After mounting, verify that each screw is tightened securely.

4. SPECIFICATIONS

Applicable speaker	F-160 WP
Load limit of speaker	4 kg or less
Finish (painting)	Black
Weight	0.5 kg
Accessories	Bolt x 1 Speaker mounting screw x 2 Instruction manual x 1

Note: Specifications are subject to change without notice.