

# SPEAKER MOUNTING BRACKET HY-B0801

Please follow the instructions in this manual to obtain the optimum results from this unit.  
We also recommend that you keep this manual handy for future reference.

### ■ SAFETY PRECAUTIONS

- Be sure to read the instructions in this section carefully before use.
- Make sure to observe the instructions in this manual as the conventions of safety symbols and messages regarded as very important precautions are included.
- We also recommend you keep this instruction manual handy for future reference.

#### Safety Symbol and Message Conventions

Safety symbols and messages described below are used in this manual to prevent bodily injury and property damage which could result from mishandling. Before operating your product, read this manual first so you are thoroughly aware of the potential safety hazards as well as understand the safety symbols and messages.



**WARNING** Indicates a potentially hazardous situation which, if mishandled, could result in death or serious personal injury.

- Install the unit only in a location that can structurally support the weight of the unit and the mounting bracket. Doing otherwise may result in the speaker falling down and causing personal injury and/or property damage.
- Owing to the speaker's size and weight, be sure that at least two persons are available to install the speaker. Failure to do so could result in personal injury.
- Be sure to follow these instructions closely when installing the HY-B0801 bracket to prevent accidents that could result in personal injury.
  - Because the HY-B0801 cannot be used alone, be sure it is installed in combination with another specified bracket.
  - The HY-B0801 is designed for indoor use only. Do not install outdoors.
  - Tighten each nut and bolt securely. Ensure that the HY-B0801 has no loose joints after installation.
  - Ensure that Bracket A's clamp head and clamp base uniformly pinch a pipe. (Refer to Step 2 in the section "INSTALLATION".)
  - When hanging the speaker from a ceiling pipe, mount the HY-B0801 so that the bracket hangs straight down from the pipe. (Refer to Step 5 in the section "INSTALLATION".)

- Do not hang down from the bracket, as the speaker system and bracket could fall, resulting in personal injury.

### ■ GENERAL DESCRIPTION

The HY-B0801 Speaker Mounting Bracket is specially designed for hanging TOA's speaker systems from a ceiling pipe. Use the HY-B0801 bracket in combination with its optional speaker mounting bracket HY-0851ST or HY-0852ST.

### ■ SPECIFICATIONS

Finish	Rolled steel plate, paint, black, semi-mat
Weight	1.9 kg

**Note** : The design and specifications are subject to change without notice for improvement.

#### • Accessories

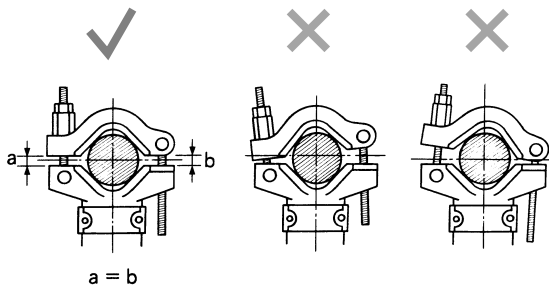
Hexagon wrench (M3)	.....	1
Hexagon wrench (M6)	.....	1
Hexagon bolt M8 (with spring washer and plain washer)	.....	4

## ■ INSTALLATION

1. Mount the speaker securely to the HY-0851ST or HY-0852ST Speaker Mounting Bracket, and then the HY-B0801's Bracket B to the HY-0851ST or HY-0852ST using the four supplied hexagon bolts. (For mounting instructions, refer to the instruction manual for the HY-0851ST or HY-0852ST.)
2. Turn Bracket A's clamp head and adjust the clamp opening depending on the size of a pipe.

### ⚠ Warning

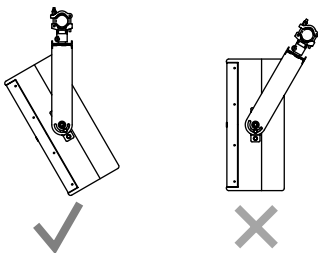
Ensure that Bracket A's clamp head and clamp base uniformly pinch a pipe. If not uniformly pinched, the speaker may fall off, resulting in personal injury.



3. Pinch the pipe with Bracket A, and tighten both the lock nut and loose joint prevention nut.

### ⚠ Warning

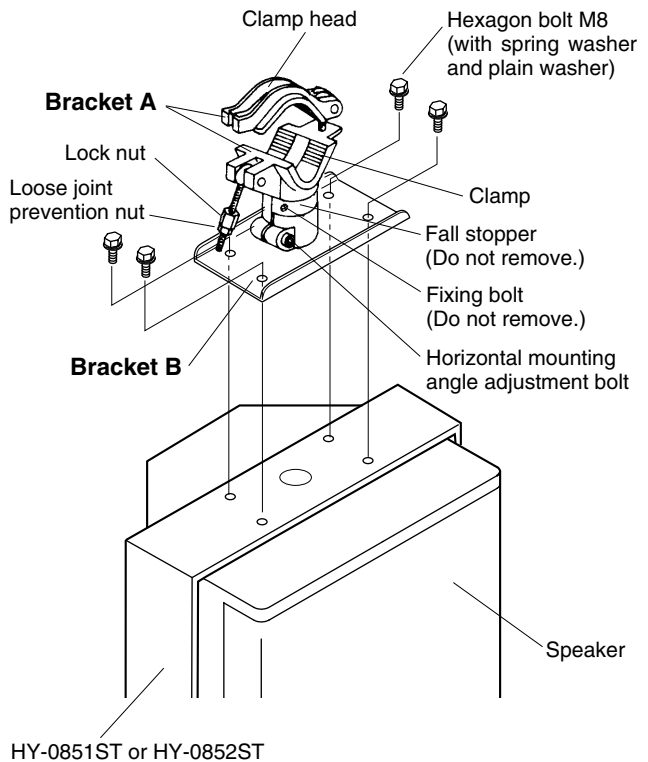
When hanging the speaker from a ceiling pipe, mount the HY-B0801 so that the bracket hangs straight down from the pipe as shown below. Failure to do so may cause the speaker to fall off, which could result in personal injury.



4. Loosen the horizontal mounting angle adjustment bolt to set the speaker at a desired angle, then retighten the bolt.

**Note** : Adjustable horizontal mounting angle range:  
180° each for leftward and rightward angles  
(360° rotation)

5. Adjust the speaker's vertical mounting angle at the HY-0851ST or HY0852ST. (For adjustment instructions, refer to the instruction manual for the HY-0851ST or HY-0852ST.)



## ■ DIMENSIONAL DIAGRAM

Unit: mm

