

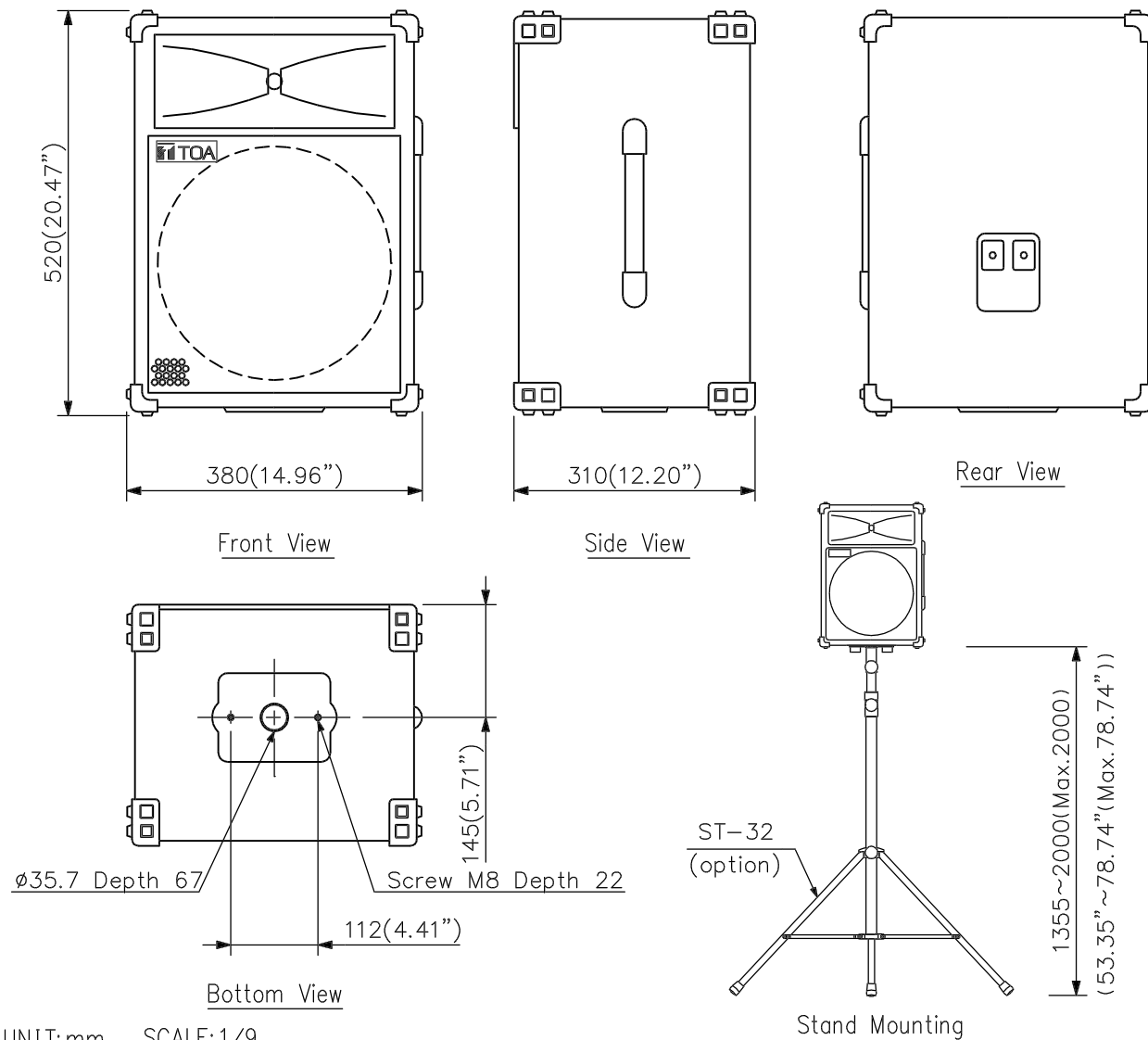
DESCRIPTION

The SL-122 is a compact intergrated speaker system for professional use in sound reinforcement applications with an emphasis on quality and durability.

SPECIFICATIONS

Enclosure	Sealed type
Power Handling Capacity	Continuous pink noise : 80 W Continuous program : 240 W
Impedance	8 Ω
Sensitivity	95 dB (1 W, 1 m)
Frequency Response	70 Hz ~ 20,000 Hz
Crossover Frequency	5,000 Hz
Speaker	Low/Mid frequency : 30 cm woofer High frequency : 90 °×40 ° constant directivity horn and piezo driver
Input Terminal	1/4" phone jacks (input and bridge)
Finish	Enclosure : Grey leatherette Metal grille : Black
Dimensions(W×H×D)	380(14.96") ×520(20.47") ×310(12.20") mm
Weight	12.8 kg (28.2 lb.)
Mounting Brackets	For ceiling : HY-411 (option) For wall : HY-412 (option)
Applicable stand	ST-32 (option)

APPEARANCE



UNIT:mm SCALE:1/9