

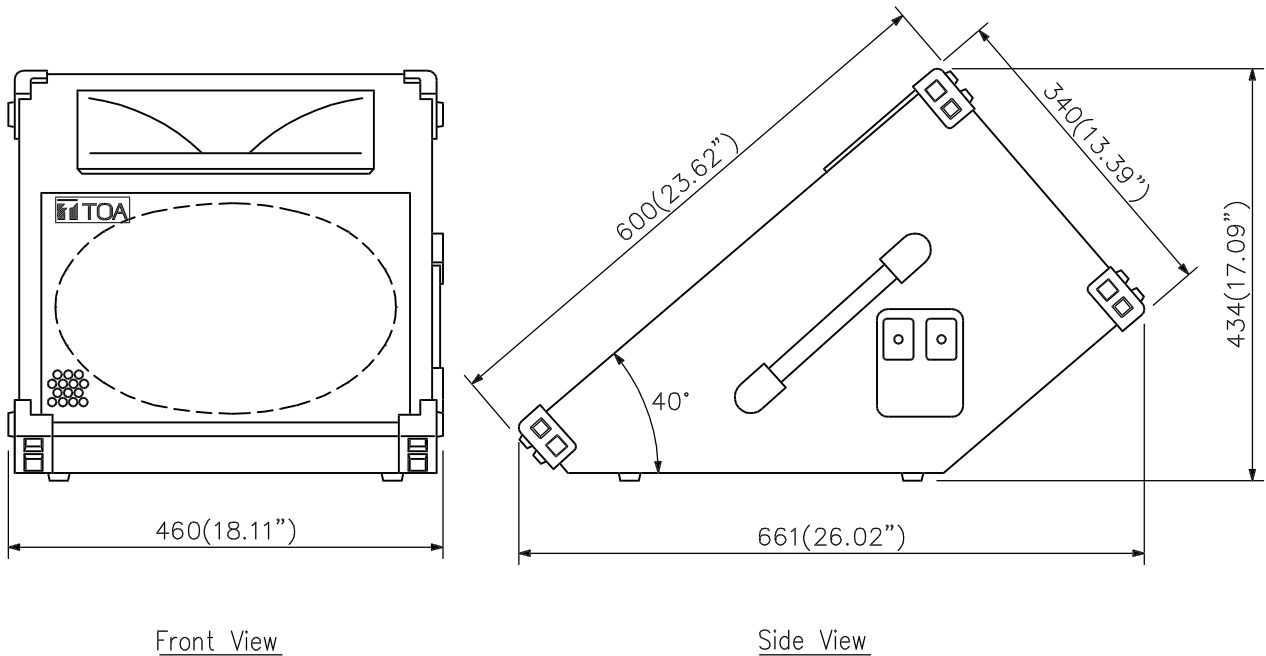
■DESCRIPTION

The SL-152M is a compact intergrated speaker system for professional use in floor monitor applications with an emphasis on quality and durability.

■SPECIFICATIONS

Enclosure	Sealed type
Power Handling Capacity	Continuous pink noise : 80 W Continuous program : 240 W
Impedance	8 Ω
Sensitivity	98 dB (1 W, 1 m)
Frequency Response	70 Hz ~ 20,000 Hz
Crossover Frequency	5,000 Hz
Speaker	Low/Mid frequency : 38 cm woofer High frequency : 90 °X40 ° constant directivity horn and piezo driver
Input Terminal	1/4" phone jacks (input and bridge)
Finish	Enclosure : Grey leatherette Metal grille : Black
Dimensions (W×H×D)	460(18.11") ×434(17.09") ×661(26.02")
Weight	14.5 kg (32 lb.)

■APPEARANCE



UNIT:mm SCALE:1/8