

DESCRIPTION

TOA's TU-650 is a highly intelligible driver unit suited to public address announcement applications. Use the driver unit in combination with a suitable horn (optional). Its powder-coated finish and stainless steel screws ensure the unit's weatherproof capability.

SPECIFICATIONS

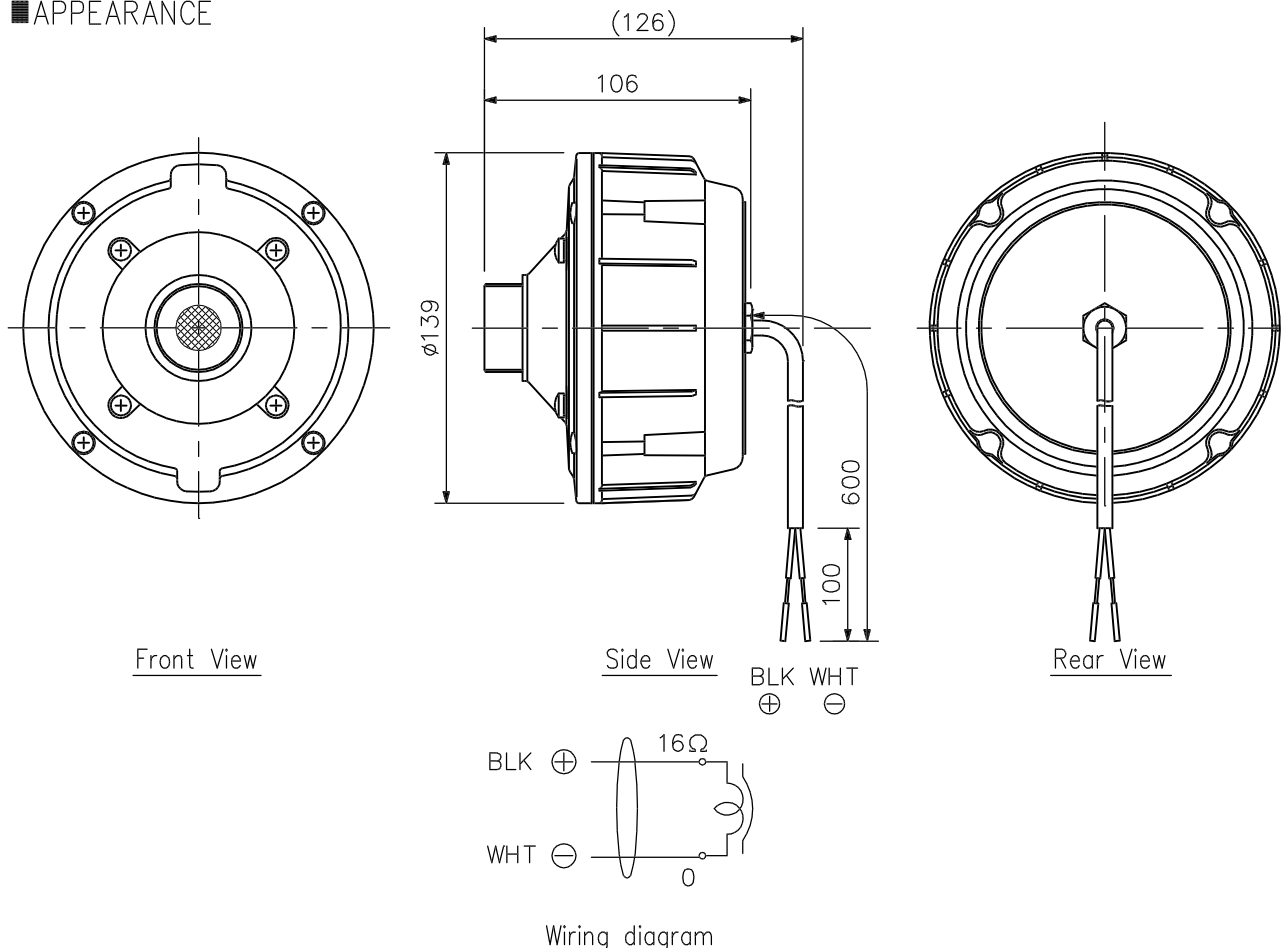
Applicable Horns	TH-650, TH-660, TH-100*and TH-200*
Rated Input	50 W
Rated Impedance	16 Ω
Sound Pressure Level	110 dB (1 W, 1 m) (When operated with JIS C 5504 standard horn.)
Frequency Response	150 – 6,000 Hz (When operated with JIS C 5504 standard horn.)
IP Code	IP 65 (When a driver is operated with a horn.)
Horn Coupling	1 – 3/8 18 threads (inch screw)
Polarity	Hot: Black, Com: White
Operating Temperature	-20°C to +55°C (must be free from dew condensation)
Finish	Flange: Aluminum, gray, powder coating Rear cover: ABS resin, gray Screws: Stainless steel Speaker cable: Polyvinyl chloride insulated cabtyre cable (6 mm in diameter, 600 mm in length)
Dimensions	∅139 × 106 (D) mm
Weight	2 kg
Option	Driver unit cover: UC-200A Matching Transformer: MT-30T, MT-60T

NOTE (*)

Speaker cable connection

Remove connectors of cables from the TH-100's or TH-200's cover, and connect the driver's speaker cables to the horn cables of the same color.

APPEARANCE



UNIT:mm SCALE:1/3