

DESCRIPTION

The VX-200XR module is designed to be used with the RM-200X Remote Microphone or RM-200XF Fireman's Microphone. Insert one of these modules into the VX-2000's input module slot for each remote or fire microphone used in the system.

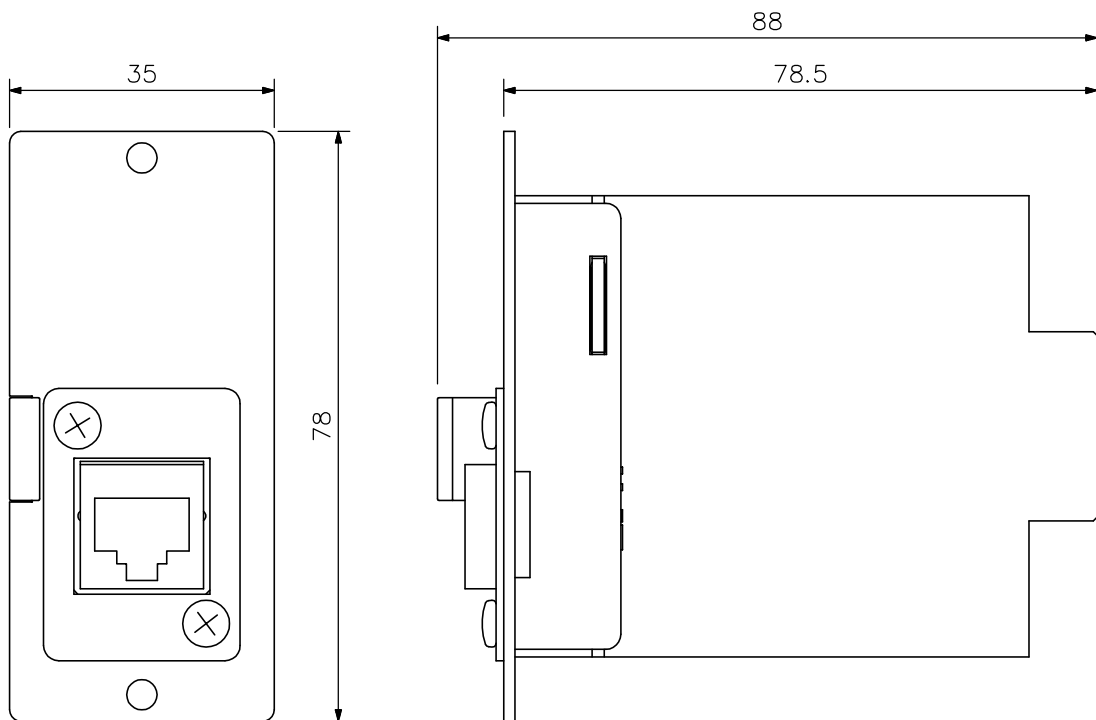
SPECIFICATIONS

Power Source	Supplied from VX-2000
Current Consumption	Under 17 mA
Connectable Remote Microphone	RM-200X and RM-200XF
Input Connector	RJ45 female connector Twisted-pair straight cable (TIA/EIA-568A standard)
Finish	Panel: Aluminum, hairline
Dimensions	35 (W) × 78 (H) × 88 (D) mm
Weight	70 g
Accessory	Mounting screw.....2
Applicable Model	VX-2000

APPEARANCE



Top View



Front View

Side View

UNIT:mm SCALE:1/1