

WALL TILT BRACKET SR-TB4WP

The SR-TB4WP is designed to be used exclusively to mount the SR-S4LWP or SR-S4SWP Line Array Speaker on a wall. It allows the speaker orientation angle to be adjusted to 0° or 5° vertically and 20° max. horizontally. In Combination with the optional SP-131 Speaker Mount Bracket and YS-60B Pole Band, the SR-TB4WP also permits the speaker to be mounted on an outdoor pole.

1. SAFETY PRECAUTIONS

- Before installation or use, be sure to carefully read all the instructions in this section for correct and safe operation.
- Be sure to follow all the precautionary instructions in this section, which contain important warnings and/or cautions regarding safety.
- After reading, keep this manual handy for future reference.

WARNING

Indicates a potentially hazardous situation which, if mishandled, could result in death or serious personal injury.

- Refer all installation work to the dealer from whom the unit was purchased. Installation requires extensive technical knowledge and experience. The speaker may fall off if incorrectly installed, resulting in possible personal injury.
- Install the unit only in a location that can structurally support the weight of the unit and the speaker. Doing otherwise may result in the speaker falling down and causing personal injury and/or property damage.
- Owing to the speaker's size and weight, be sure that at least two persons are available to install the speaker. Failure to do so could result in personal injury.
- Do not use other methods than specified to mount the bracket. Extreme force is applied to the unit and the speaker could fall off, possibly resulting in personal injuries.
- Use nuts and bolts that are appropriate for the wall's structure and composition. Failure to do so may cause the speaker to fall, resulting in material damage and possible personal injury.
- Tighten each nut and bolt securely. Ensure that the bracket has no loose joints after installation to prevent accidents that could result in personal injury.
- Do not mount the unit in locations exposed to constant vibration. The mounting bracket can be damaged by excessive vibration, potentially causing the speaker to fall, which could result in personal injury.

CAUTION

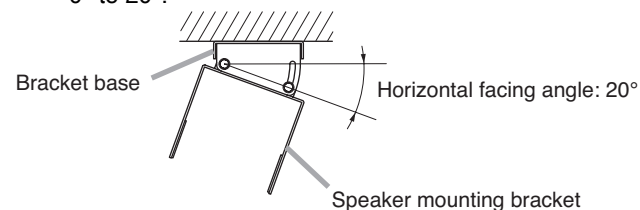
Indicates a potentially hazardous situation which, if mishandled, could result in moderate or minor personal injury, and/or property damage.

- Avoid touching the unit's sharp metal edge to prevent injury.
- Do not stand or sit on, nor hang down from the unit as this may cause it to fall down or drop, resulting in personal injury and/or property damage.
- Have the unit checked periodically by the shop from where it was purchased. Failure to do so may result in corrosion or damage to the unit that could cause the unit to fall, possibly causing personal injury.

2. INSTALLATION

2.1. Mounting on a Wall

- Step 1.** Install the bracket base on a wall. Determine the orientation of the bracket base depending on whether the speaker is to face left or right.
- Step 2.** Attach the speaker mounting bracket to the bracket base. Horizontal facing angle can be adjusted in the range of 0° to 20°.

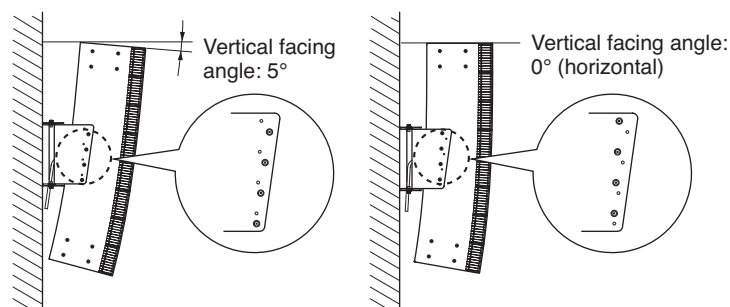


After the speaker's horizontal orientation has been determined, fix the speaker mounting bracket to the base.

Note

The speaker's horizontal orientation can be adjusted after the speaker has been installed.

- Step 3.** Remove the attached screws (with waterproof washers) on both sides of the speaker.
- Step 4.** Connect a speaker cable to the speaker.
- Step 5.** Mount the speaker to the speaker mounting bracket. The vertical facing angle toward down can be adjusted either 0° (horizontal) or 5° by the selection of the screw mounting holes.



3. SPECIFICATIONS

Number of Speakers to be Mounted	1
Finish	Stainless steel (SUS304)
Dimensions	167 (w) x 247 (h) x 201 (d) mm (complete assembly)
Weight	2.8 kg (including accessories)
Product Composition	Speaker mounting bracket 1, Bracket base 1

Note: The design and specifications are subject to change without notice for improvement.

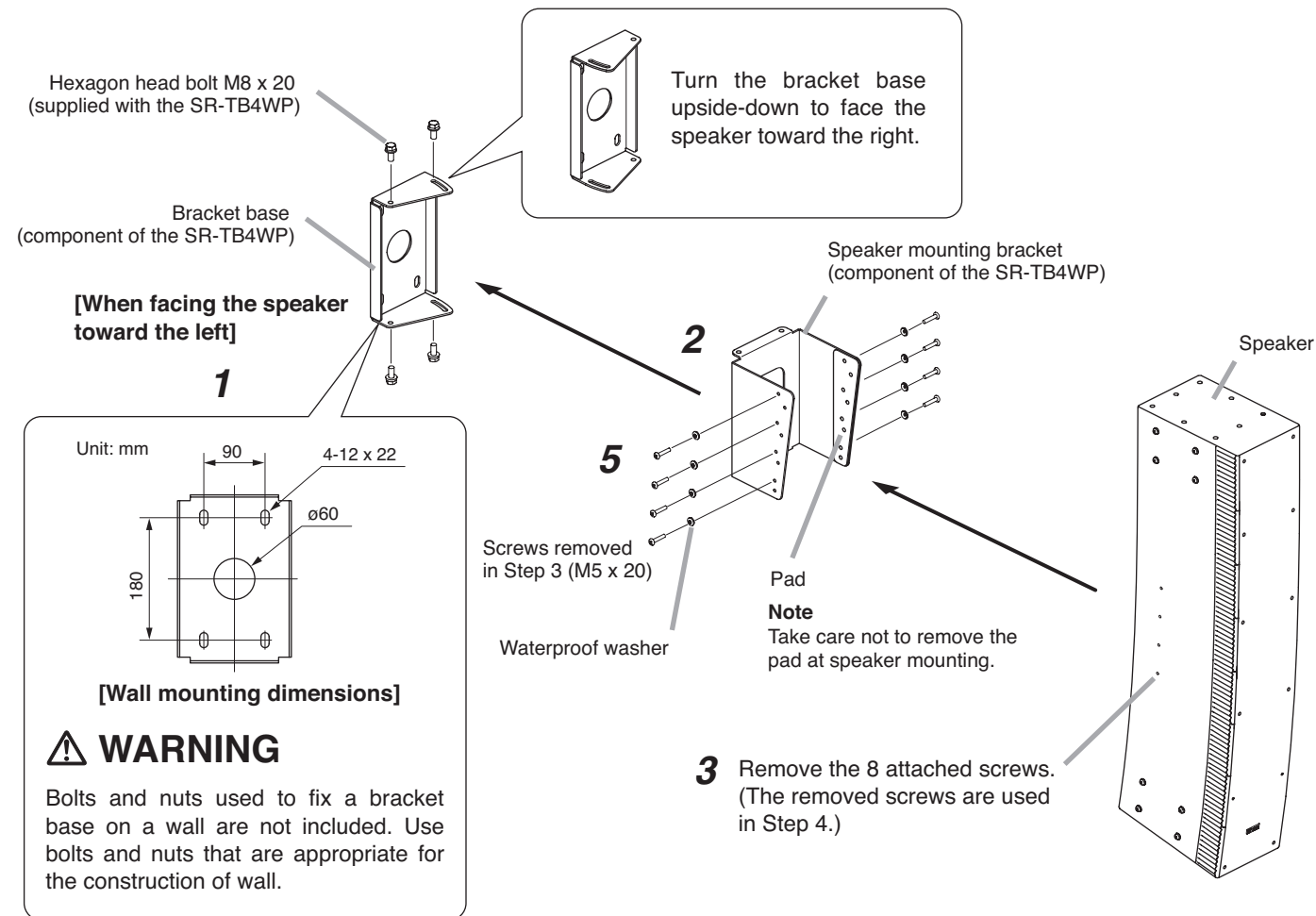
• Accessories

Hexagon head bolt M8 x 20 4

• Optional products

Speaker mount bracket: SP-131

Pole band: YS-60B



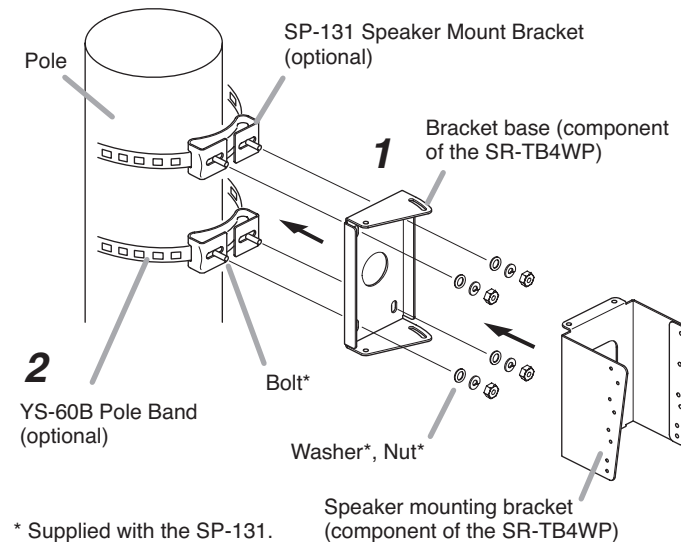
2.2. Mounting on a Pole

The optional SP-131 Speaker Mount Bracket and YS-60B Pole Band are required to mount the speaker on a pole.

- Step 1.** Attach the SP-131 to the bracket base using bolts, washers and nuts supplied with the SP-131. Determine the orientation of the bracket base in advance depending on whether the speaker is to face left or right.

- Step 2.** Install the SP-131 on a pole using the YS-60B. The allowable pole diameter is 90 – 340 mm. For the detailed mounting procedures of the SP-131 and YS-60B, see the instruction manual enclosed with the SP-131.

The subsequent procedures follow Step 2 or later in the section "2.1. Mounting on a Wall."



[Example of pole mounted application]

