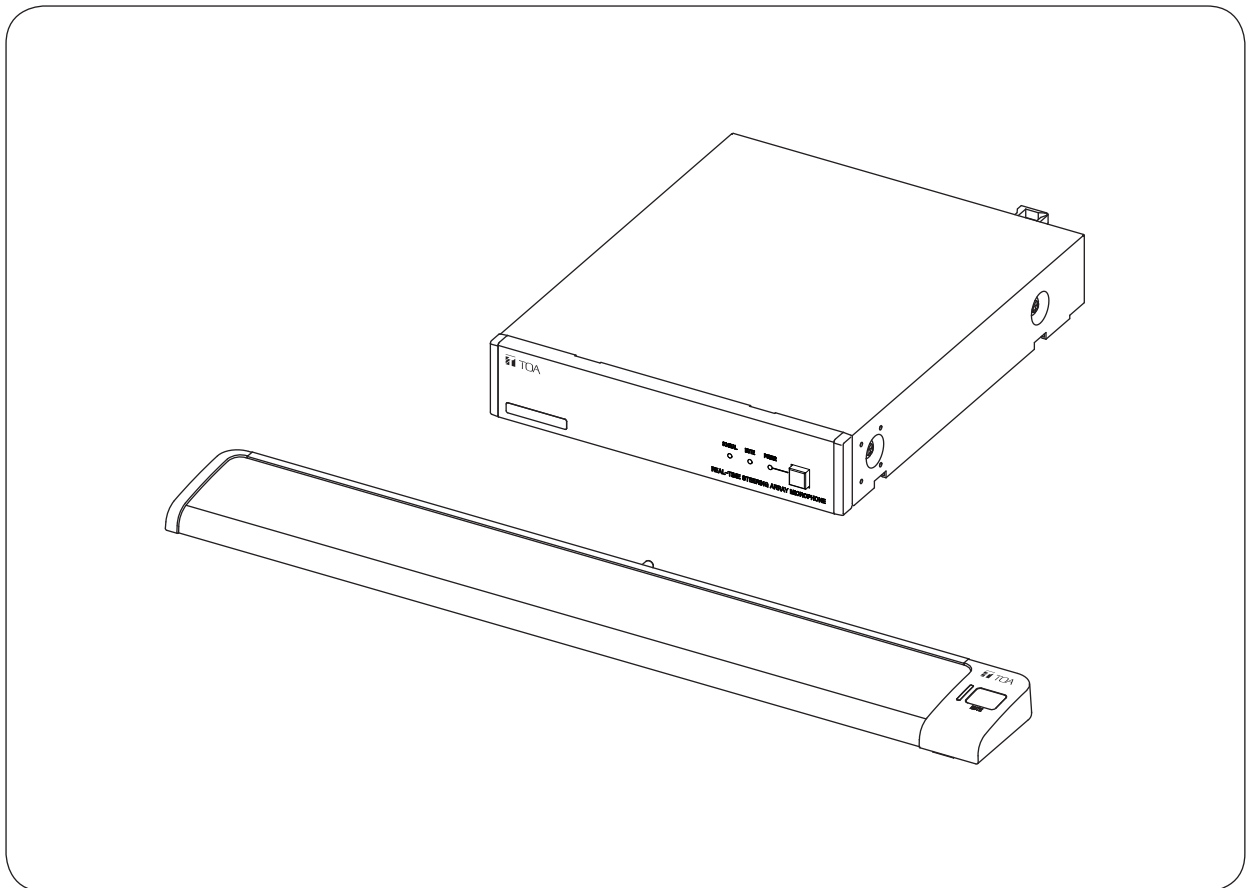




INSTRUCTION MANUAL

REAL-TIME STEERING ARRAY MICROPHONES

AM-1B
AM-1W



Thank you for purchasing TOA's Real-Time Steering Array Microphone.
Please carefully follow the instructions in this manual to ensure long, trouble-free use of your equipment.

TABLE OF CONTENTS

1. SAFETY PRECAUTIONS	3
2. ABOUT INSTRUCTION MANUALS	4
3. GENERAL DESCRIPTION	5
4. FEATURES	5
5. HANDLING PRECAUTIONS	5
6. NOMENCLATURE AND FUNCTIONS	6
6.1. Array Microphone	6
6.2. Control Unit	7
7. CONNECTION	8
7.1. System Application Examples	8
7.2. Connecting the AC adapter	8
7.3. Network Connections	9
7.4. Removable Terminal Plug Connection	9
8. INSTALLING THE CONTROL UNIT	10
8.1. Rack Mounting	10
8.2. Wall Mounting	11
9. EQUIPMENT SETTINGS	12
9.1. Audio Output Selection	12
9.2. Tone Settings	12
10. SYSTEM SETTINGS	13
10.1. System Settings Summary	13
10.2. System Requirements	13
10.3. Settings Using Web Browser	14
11. STARTING THE SYSTEM IN TEST MODE	19
12. TROUBLESHOOTING	21
13. SPECIFICATIONS	22
Accessory	23
Optional products	23

Notes

- Windows and Internet Explorer are the registered trademarks of Microsoft Corporation in the United States and other countries.
- Google Chrome is a trademark of Google Inc.
- Regarding other company names and products, they are also trademarks of individual companies.

1. SAFETY PRECAUTIONS

- Before installation or use, be sure to carefully read all the instructions in this section for correct and safe operation.
- Be sure to follow all the precautionary instructions in this section, which contain important warnings and/or cautions regarding safety.
- After reading, keep this manual handy for future reference.

Safety Symbol and Message Conventions

Safety symbols and messages described below are used in this manual to prevent bodily injury and property damage which could result from mishandling. Before operating your product, read this manual first and understand the safety symbols and messages so you are thoroughly aware of the potential safety hazards.



WARNING

Indicates a potentially hazardous situation which, if mishandled, could result in death or serious personal injury.

When Installing the Unit

- Do not expose the unit to rain or an environment where it may be splashed by water or other liquids, as doing so may result in fire or electric shock.
- Use the unit only with the voltage specified on the unit. Using a voltage higher than that which is specified may result in fire or electric shock.
- Do not cut, kink, otherwise damage nor modify the power supply cord. In addition, avoid using the power cord in close proximity to heaters, and never place heavy objects -- including the unit itself -- on the power cord, as doing so may result in fire or electric shock.
- Avoid installing or mounting the unit in unstable locations, such as on a rickety table or a slanted surface. Doing so may result in the unit falling down and causing personal injury and/or property damage.
- Since the unit is designed for indoor use, do not install it outdoors. If used outdoors, there is a danger of electric shock when it gets wet with rain.
- Do not use other methods than specified to mount the bracket. Extreme force is applied to the unit and the unit could fall off, possibly resulting in personal injuries.
- Use the specified rack mounting bracket in combination. Doing otherwise may cause the unit or component to fall off, resulting in personal injury.

When the Unit is in Use

- Should the following irregularity be found during use, immediately switch off the power, disconnect the power supply plug from the AC outlet and contact your nearest TOA dealer. Make no further attempt to operate the unit in this condition as this may cause fire or electric shock.
 - If you detect smoke or a strange smell coming from the unit.
 - If water or any metallic object gets into the unit
 - If the unit falls, or the unit case breaks
 - If the power supply cord is damaged (exposure of the core, disconnection, etc.)
 - If it is malfunctioning (no tone sounds.)
- To prevent a fire or electric shock, never open nor remove the unit case as there are high voltage components inside the unit. Refer all servicing to qualified service personnel.
- Do not place cups, bowls, or other containers of liquid or metallic objects on top of the unit. If they accidentally spill into the unit, this may cause a fire or electric shock.



CAUTION

Indicates a potentially hazardous situation which, if mishandled, could result in moderate or minor personal injury, and/or property damage.

When Installing the Unit

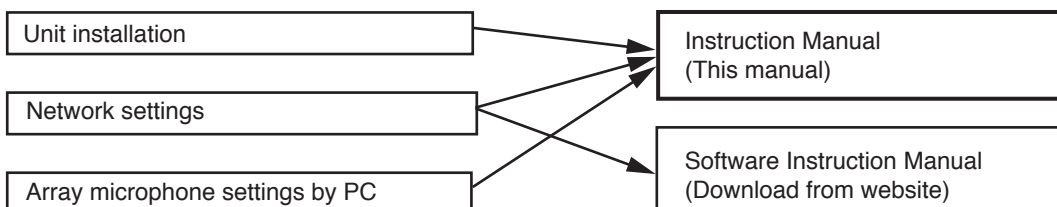
- Never plug in nor remove the power supply plug of the AC adapter with wet hands, as doing so may cause electric shock.
- When unplugging the power supply cord, be sure to grasp the power supply plug of the AC adapter; never pull on the cord itself. Operating the unit with a damaged power supply cord may cause a fire or electric shock.
- When moving the unit, be sure to remove the power supply plug of the AC adapter from the wall outlet. Moving the unit with the power cord connected to the outlet may cause damage to the power cord, resulting in fire or electric shock. When removing the power cord, be sure to hold its plug to pull.
- Avoid installing the unit in humid or dusty locations, in locations exposed to the direct sunlight, near the heaters, or in locations generating sooty smoke or steam as doing otherwise may result in fire or electric shock.
- Be sure to follow the instructions below when rack-mounting the unit. Failure to do so may cause a fire or personal injury.
 - Install the equipment rack on a stable, hard floor. Fix it with anchor bolts or take other arrangements to prevent it from falling down.
 - When connecting the AC adapter's power cord to an AC outlet, use the AC outlet with current capacity allowable to the unit.
 - The supplied rack-mounting screws can be used for the TOA equipment rack only. Do not use them for other racks.

When the Unit is in Use

- Use the specified AC adapter for the unit. Note that the use of other adapter may cause a fire.
- If dust accumulates on the power supply plug or in the wall AC outlet, a fire may result. Clean it periodically. In addition, insert the plug in the wall outlet securely.
- Switch off the power, and unplug the power supply plug from the AC outlet for safety purposes when cleaning or leaving the unit unused for 10 days or more. Doing otherwise may cause a fire or electric shock.

2. ABOUT INSTRUCTION MANUALS

Please refer to two different instruction manuals to properly setup and operate this product.



Note

Please download the latest Software Instruction Manual from the TOA Product Data Download Site (<https://www.toa-products.com/international/>).

3. GENERAL DESCRIPTION

The AM Series is a Real-time Steering Array Microphone that efficiently picks up targeted sound by using a unique algorithm to detect the position of the sound source and control the microphone's directivity. This microphone system consists of an array microphone unit and its control unit. The array microphone is available in two different versions: AM-1B (black) and AM-1W (white).

4. FEATURES

- The array microphone utilizes eight microphone elements to realize an array effect by means of its narrow 50° horizontal angle of directivity.
- The microphone employs a unique algorithm to detect and track the position of the sound source and automatically control the directivity of the array microphone in real time so that the targeted sound can be efficiently picked up.
- Function settings can be performed by way of a PC browser.
- The array microphone can be muted by way of its mute switch.

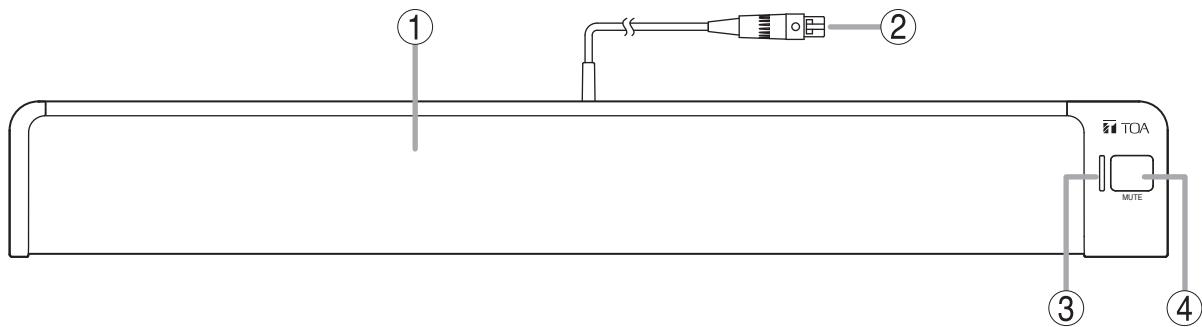
5. HANDLING PRECAUTIONS

- **Warning:** This is a class A products. In a domestic environment this product may cause radio interference in which case the user may be required to take adequate measures.
- **Note:** This equipment has been tested and found to comply with the limits for a Class A digital device, pursuant to Part 15 of the FCC Rules. These limits are designed to provide reasonable protection against harmful interference when the equipment is operated in a commercial environment. This equipment generates, uses, and can radiate radio frequency energy and, if not installed and used in accordance with the instruction manual, may cause harmful interference to radio communications. Operation of this equipment in a residential area is likely to cause harmful interference in which case the user will be required to correct the interference at his own expense.
- The user that changes or modifications not expressly approved by the party responsible for compliance could void the user's authority to operate the equipment.
- Avoid blocking the array microphone with the hand or other objects that may restrict the microphone's optimal performance.
- When mounting the control unit in a rack, peripheral areas around power amplifiers could exceed the operating temperature specified for the unit. Avoid installing the control unit in close proximity to power amplifiers.
- Take care not to drop the unit onto the floor or bump it against a hard object as the unit could fail.
- Avoid using a mobile telephone near this units in use. Noise could be picked up.
- To clean, be sure to first cut off power to the unit, then wipe with a dry cloth. When the unit gets very dirty, use a cloth damped in a neutral cleanser. Never use benzene, thinner or chemically-treated cleaning cloth because such volatile liquids could deform or discolor the unit.

6. NOMENCLATURE AND FUNCTIONS

6.1. Array Microphone

[Top]



1. Microphone section

Eight microphone elements are housed within the main body of the microphone.

Note

To ensure optimal microphone performance, never cover the microphone section with your hand or other objects that may interfere with sound input.

2. Microphone cable (with TA-3 connector)

Connect this cable to the control unit's microphone input terminal.

3. Microphone status indicator (green/red)

Indicates the microphone status when the array microphone is connected to the control unit.

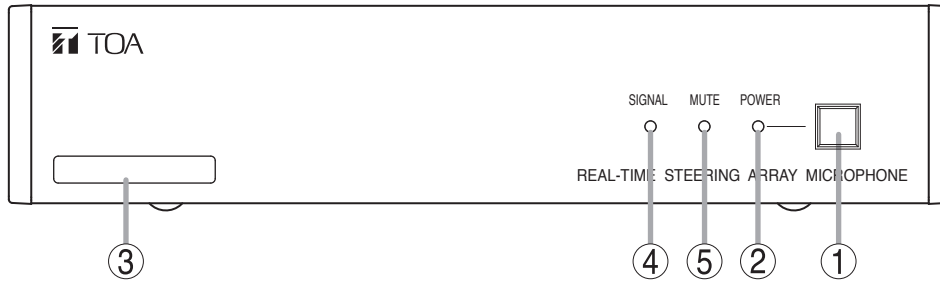
Power OFF: Unlit
Power ON: Green
Microphone muted: Red

4. Mute switch

Used to mute the sound input from the array microphone.

6.2. Control Unit

[Front]



1. Power switch

The power is turned ON and OFF each time the button is pressed.

2. Power indicator (Blue)

Lights when the power is ON.

3. MAC address

The control unit's MAC address.

A 12-digit alphanumeric character string separated by hyphens.

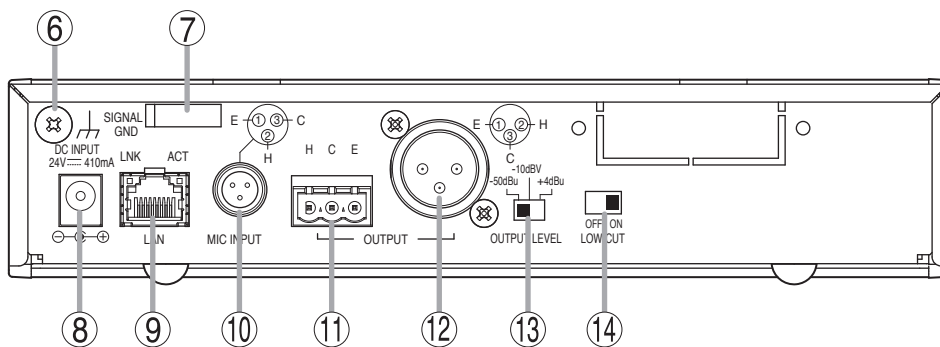
4. Signal indicator (Green)

Lights when an audio signal is being output. Unlit while mute is enabled.

5. Mute indicator (Red)

Lights when the audio output is muted.

[Rear]



6. Function grounding terminal

Hum noise may be generated when external equipment is connected to the unit. Connecting this terminal to the functional ground terminal of the external equipment may reduce the hum noise.

Note: This terminal is not for protective ground.

7. Cord clamp

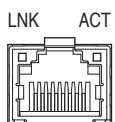
Holds and secures the power cord to prevent the DC plug from detaching.

8. Power input terminal

Connects to the optional AD-246 AC Adapter or the equivalent. As for the usable adapter, consult your TOA dealer.

9. Network connection terminal (RJ45 jack)

Connects to a 10BASE-T or 100BASE-TX compatible network.



LNK LED: Lights when connected to the network.

ACT LED: Lights during communications.

10. Microphone input terminal (TA-3 connector)

Connect the array microphone's cable to this terminal. Do not connect any other equipment.

11. Audio output terminal (Removable terminal block)

Connect wire leads from this terminal to the audio input terminal of a mixer or amplifier. H: Hot, C: Cold, E: Earth (shield)

12. Audio output connector (XLR-3-32 connector)

Connect this terminal to the audio input terminal of a mixer or amplifier.

13. Output level selection switch

Switches the audio output level. Switchover levels: -50 dB*1 / -10 dB*2 / +4 dB*1

14. Low frequency cutoff switch

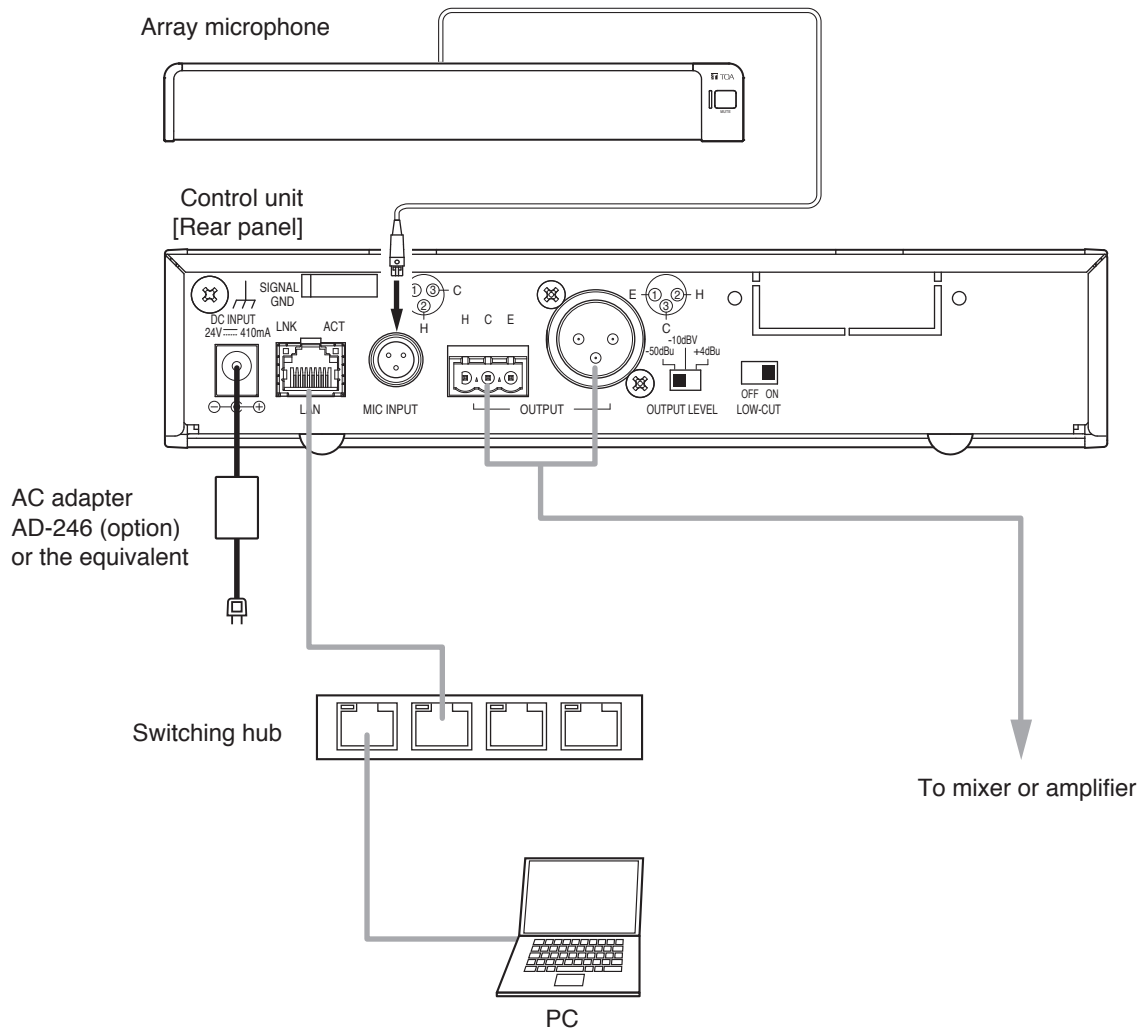
Turn this switch ON if low frequency response is to be reduced.

*1 0 dB = 0.775 V

*2 0 dB = 1 V

7. CONNECTION

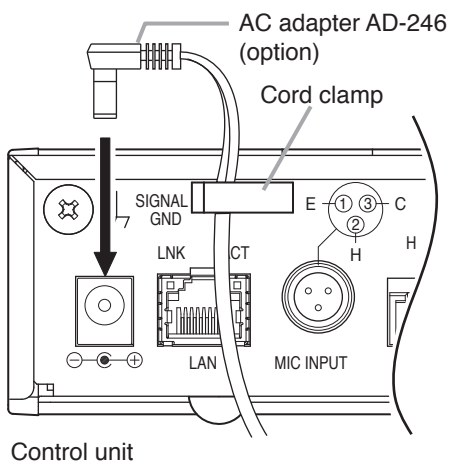
7.1. System Application Examples



7.2. Connecting the AC adapter

Connect the AC adapter* to the control unit's power input terminal. Secure the cord with clamp.

* Use the optional AC adapter AD-246 or equivalent. For alternate adapters, consult your TOA dealer.

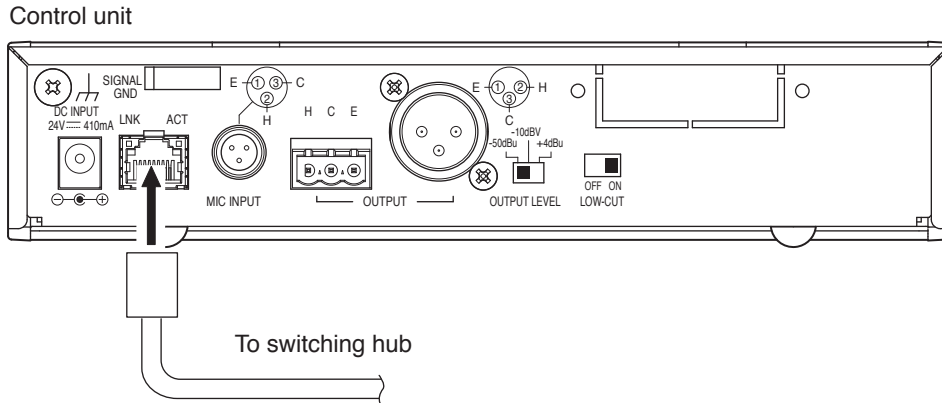


⚠ CAUTION

For AC adapters, use TOA optional AD-246 Adapter or the equivalent. The use of other adapters could result in fire or other possible damage.

7.3. Network Connections

The control unit automatically distinguishes between 10BASE-T and 100BASE-TX networks and establishes a connection. For this connection, use a straight UTP Category 5 or greater LAN (Ethernet) cable terminated with an RJ45 connector.

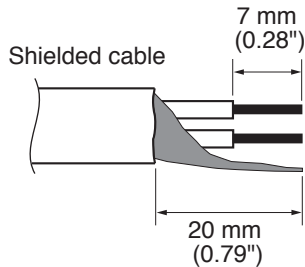


7.4. Removable Terminal Plug Connection

Please use the removable terminal plugs supplied with the control unit to connect the audio output terminal by following the instructions below.

- Be sure to use shielded cables for audio signal lines.
- Avoid soldering cable conductor, as contact resistance may increase when the cable is tightened and the solder is crushed, possibly resulting in an excessive rise in joint temperatures.
- Use cables of AWG 12 – 24.

[Cable end treatment]

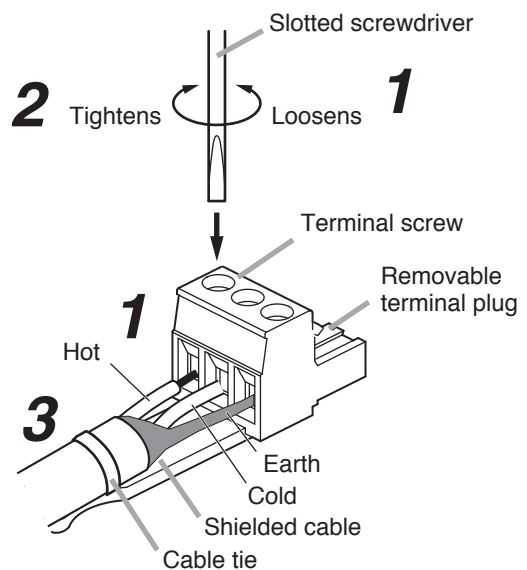


[Terminal plug connections]

- Step 1.** Loosen the terminal screw, then insert the cable.
- Step 2.** Retighten the terminal screw. (Pull on the cable to ensure it is securely connected.)
- Step 3.** Secure the plug and cable with a cable tie or other appropriate band to prevent the cable from coming loose.
- Step 4.** Insert the plug into the audio output terminal.

Tip

Recommended slotted screwdriver type: Screwdriver with blade that is 3 mm (0.12") in width



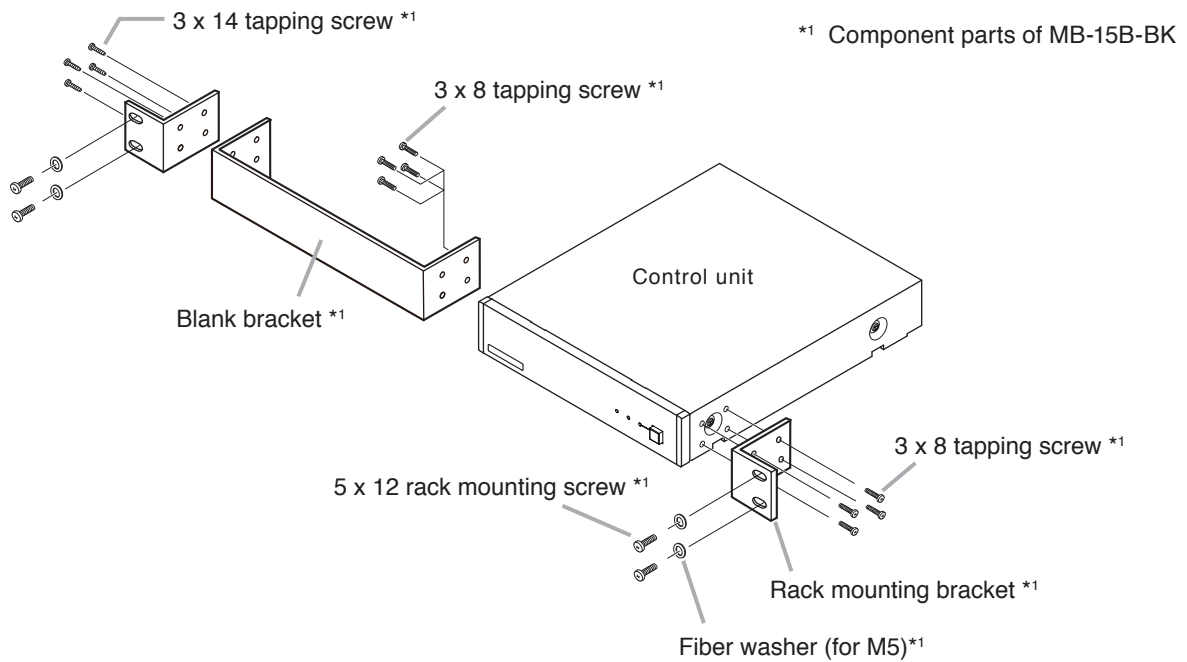
8. INSTALLING THE CONTROL UNIT

8.1. Rack Mounting

- Use the optional mounting hardware set when installing the unit in an equipment rack.
- Remove four rubber feet mounted on the bottom of the unit before mounting in a rack.

8.1.1. When mounting a single unit

Use the optional MB-15B-BK hardware set when mounting a single unit.

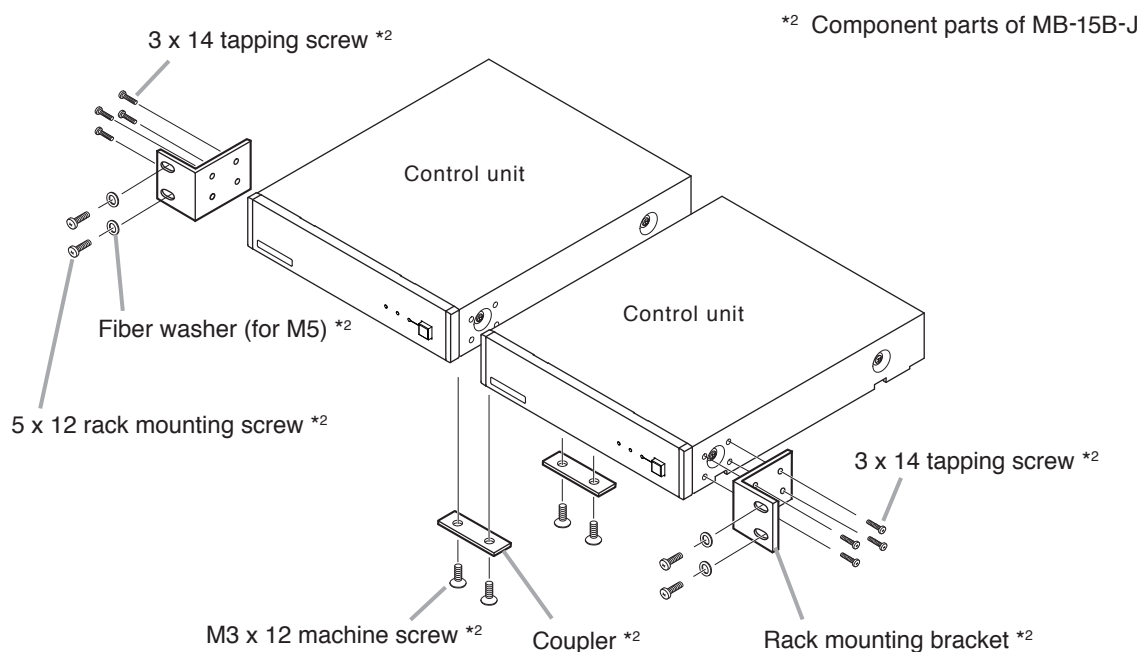


8.1.2. When mounting 2 units

Use the optional MB-15B-J hardware set when mounting 2 units side by side.

Note

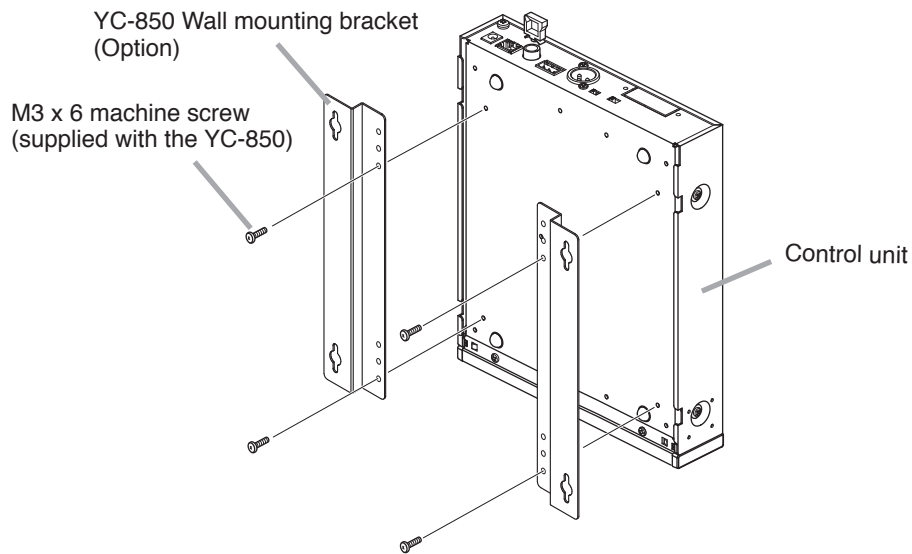
The control unit and other equipment cannot be linked together and mounted in a rack using the MB-15B-J.



8.2. Wall Mounting

Use the optional YC-850 hardware set when mounting the unit on a wall.

Step 1. Install the optional YC-850 Wall Mounting Bracket to the control unit.

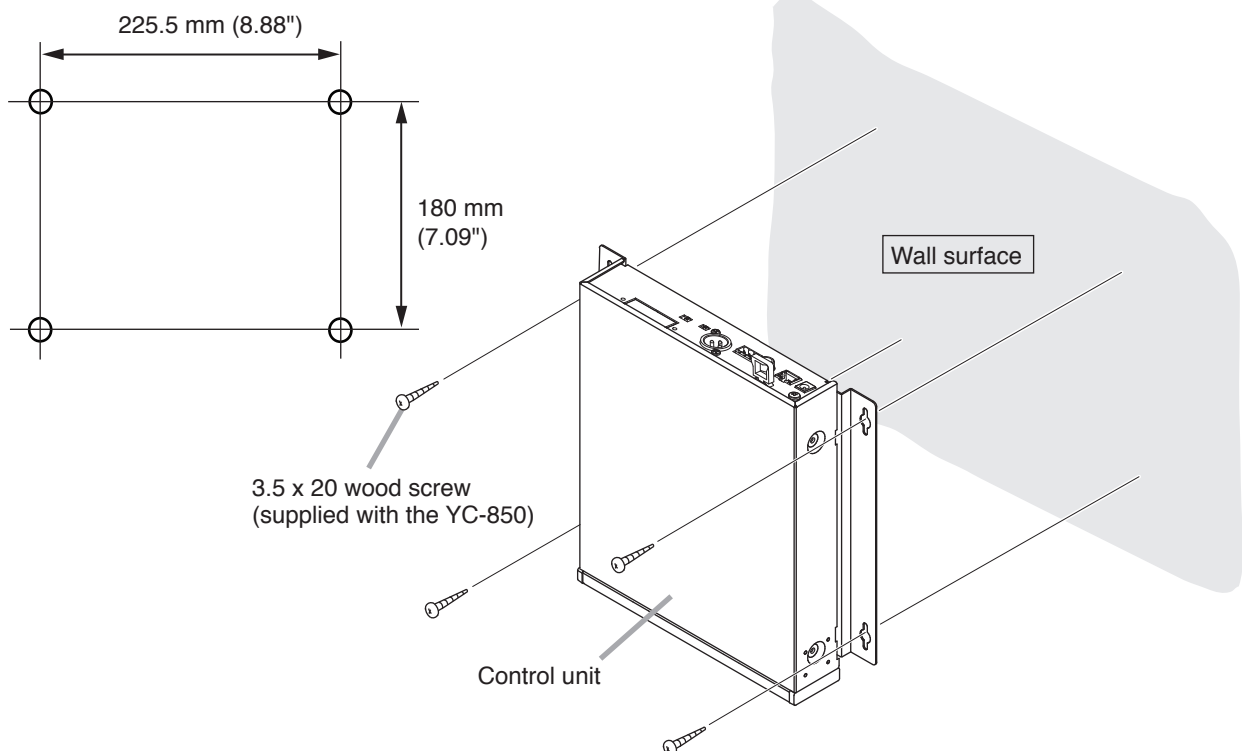


Step 2. Mount the control unit on the wall.

Notes

- Use appropriate screws when mounting to a wall.
- 3.5 x 20 wood screws are supplied with the YC-850.
- To prevent the power plug from falling out, install the AC adapter in such a way that it is not dangling in midair.

[Wall mounting dimensions]

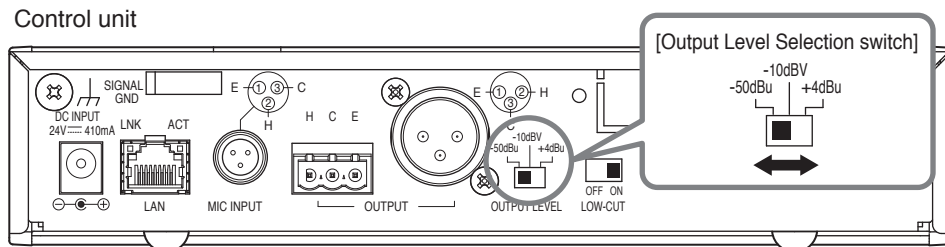


9. EQUIPMENT SETTINGS

9.1. Audio Output Selection

Step 1. Confirm that all equipment cables and connectors are correctly connected.

Step 2. Set the output level selection switch to an appropriate position in accordance with the level of the connected mixer, amplifier etc.



Note: The figure shows the factory-preset setting.

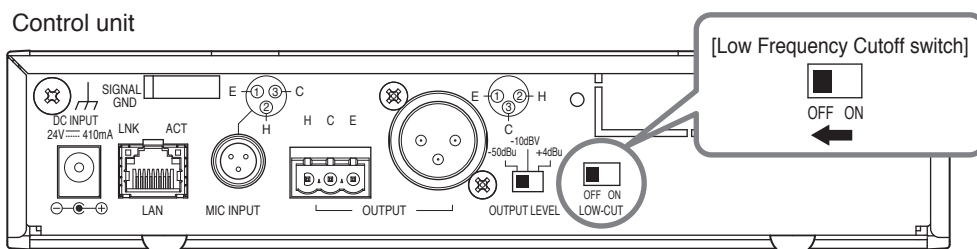
Step 3. Turn ON the control unit's power.

9.2. Tone Settings

Note

Tone settings are enabled when the Output Mode is placed in "Array Mode." Tone settings cannot be enabled when the Output Mode is placed in "Cardioid Mode." For details regarding the "Output Mode," see p. 17, "Microphone settings 2."

The audio output's low frequency range can be attenuated with the low frequency cutoff switch. Since the switch is factory-preset to ON, set it to OFF when the low frequency output appears to be insufficient.



10. SYSTEM SETTINGS

10.1. System Settings Summary

Function settings and control can be performed by way of a PC web browser.

[Function Settings]

- Tracking range setting: Horizontal angle and distance
- Detection sensitivity
- Tracking speed
- Sound volume correction: Function ON/OFF and effective distance settings
- Mute switch function ON/OFF
- Saving setting configuration

[Control]

- Output volume level adjustment
- Preset memory loading

10.2. System Requirements

Following are the verified operating system and web browser programs.

- OS: Windows 10 Pro (64 bit)
- Web browser: Google Chrome (Version 56.0.2924.87),
Internet Explorer 10 (Version 10.0.9200.17609)

10.3. Settings Using Web Browser

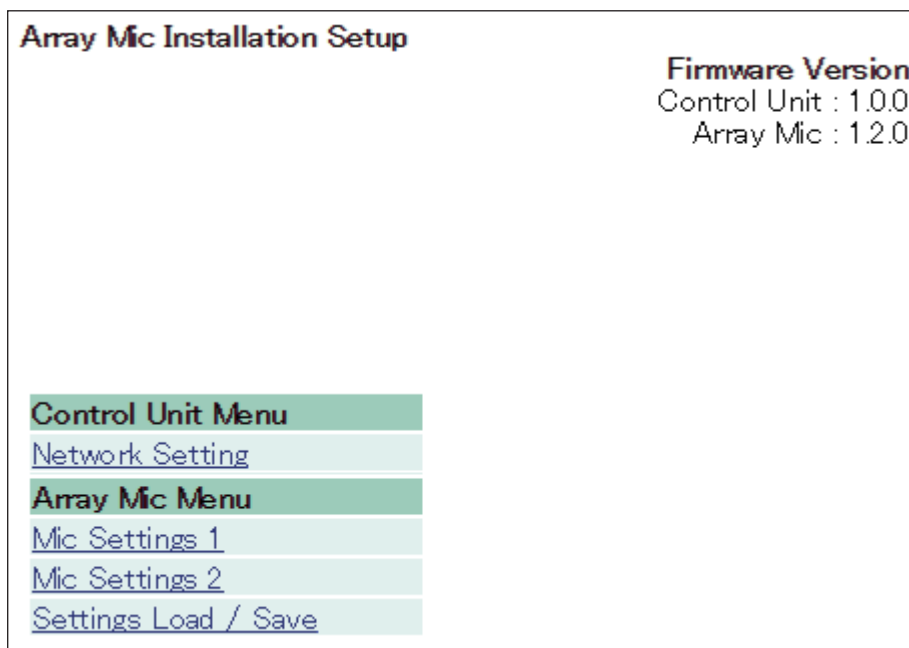
10.3.1. Summary

Many functions of the array microphone and control unit can be set using a PC web browser.

10.3.2. Menu screen

Start the web browser and enter the control unit's IP address* in the browser's address field to display the menu screen.

* Factory-preset to 192.168.1.14.



Network Setting: Network settings
Mic Settings 1: Microphone settings 1
Mic Settings 2: Microphone settings 2
Settings Load/Save: Loading or saving of settings

10.3.3. Network settings

Click "Network Setting" on the menu screen.
Set the control unit's network settings.

Network Setting				
IP Address	192	168	1	14
Subnet Mask	255	255	255	0
Default Gateway	0	0	0	0
MAC Address	00:05:f9:ff:ff:ff			
ArrayMic Name	AM-1			
<input type="button" value="Save"/> <input type="button" value="Back to Menu"/>				

The following items can be edited:

IP Address: Enter the IP address.

Subnet Mask: Enter the subnet mask.

Default Gateway: Enter the default gateway.

MAC Address: The MAC address cannot be changed.

ArrayMic Name: Enter the array microphone name (Up to 16 alphanumeric characters and symbols).

[Button Operation]

Save: Saves the set contents to the built-in memory "Default."

Note

After changing the network settings, turn OFF the control unit's power, then turn it back ON again. After the control unit is restarted, open this screen and confirm that the settings have been correctly changed.

Back to Menu: Reverts to the menu screen.

10.3.5. Microphone settings 2

Click "Mic Settings 2" on the menu screen.
Set microphone parameters other than Tracking Control.

Mic Settings 2		
<input type="button" value="Apply"/>		
Output Mode		Array ▾
Output Level		0 [dB]
Auto Gain Control		OFF ▾
	Distance	0.5 [m]
Mute Button Control		ON ▾
<input type="button" value="Save"/> <input type="button" value="Back to Menu"/>		

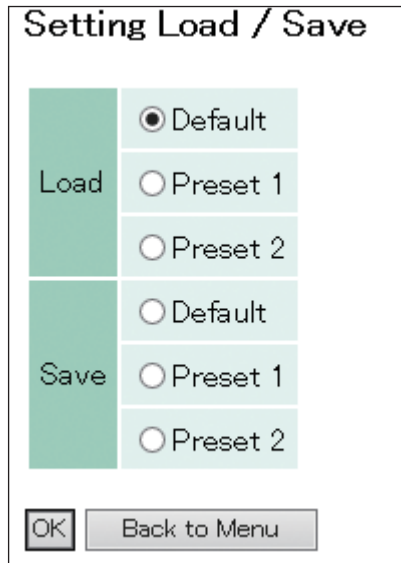
- Output Mode: Select either Array mode or Cardioid mode.
Array mode: Detects the sound source position and causes the microphone to function as an array microphone that performs signal processing to maintain a constant sound volume.
Cardioid mode: The microphone functions as a unidirectional microphone in this mode.
- Output Level: Set the audio output level. (-24 to +24 [dB])
- Auto Gain Control: Set the automatic level correction function. Selecting ON enables the function. Enter the effective range in "Distance." "Distance" is the range (distance from the array microphone) that enables the function. (0.5 to 2.0 [m]).
- Mute Button Control: Set whether to enable (ON) or disable (OFF) the mute function by the array microphone's mute switch.

[Button Operation]

- Apply: Settings are reflected on the array microphone. Settings are not saved to the built-in memory by this button operation.
- Save: Saves settings to the built-in memory "Default."
- Back to Menu: Reverts to the menu screen.

10.3.6. Loading or saving the set contents

Click "Setting Load/Save" on the menu screen.
Load or save settings.



Load: Reads the settings saved to the built-in memory.
Select the reading source from "Default," "Preset 1," and "Preset 2."

Save: Saves settings to the built-in memory. Select the save destination of "Default," "Preset 1," or "Preset 2."
Note: The setting loaded or saved last is read when the control unit's power is turned ON again.

[Button Operation]

OK: Reads settings from the place selected with the radio button or saves settings to the place selected with the radio button.

Back to Menu: Reverts to the menu screen.

[Initial values of Default, Preset 1, and Preset 2]

- Tracking Angle: -90° to $+90^{\circ}$
- Tracking Distance: 3.0 m
- Tracking Sensitivity: -12 dB
- Tracking Speed: 10
- Auto Gain Control: OFF
- Output Mode: Array
- Mute Button Control: ON
- Output Level: 0 dB

11. STARTING THE SYSTEM IN TEST MODE



WARNING

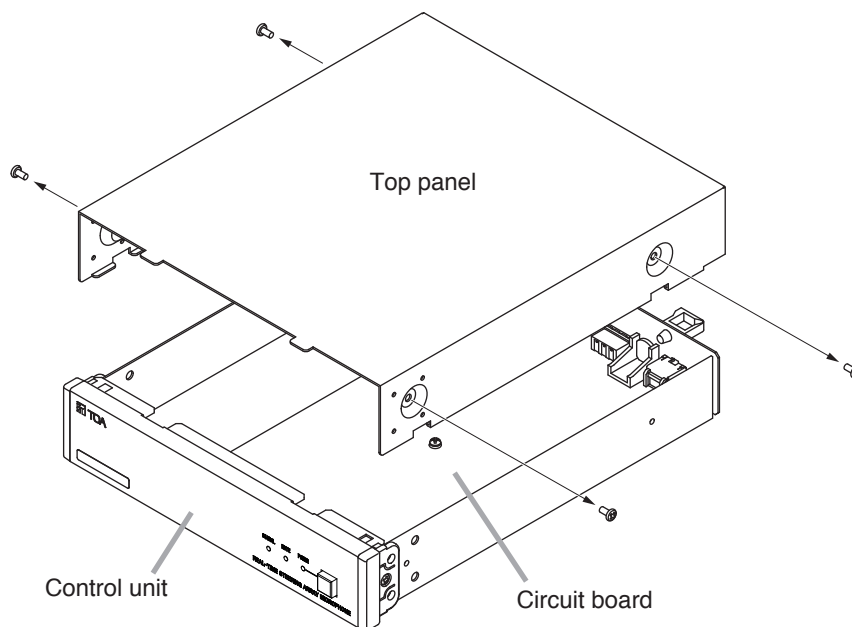
Leave the work described here to the professionals. Fire or electrical shock could result from the customer opening the case or modifying the unit.

When the IP address is unknown, it can be restored to factory-preset status by starting the system in Test mode. Follow the procedures below to start in Test mode:

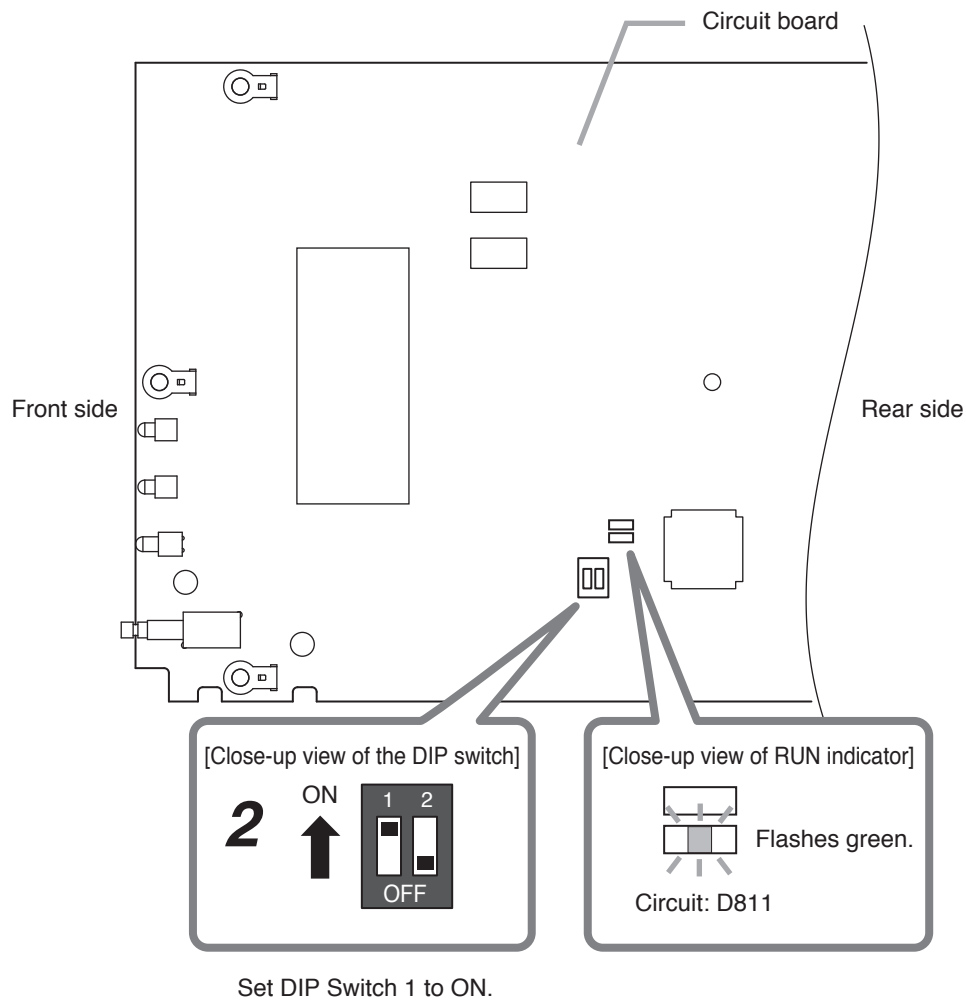
Notes

- Ensure that the control unit's power is turned OFF when doing this work.
- Do not touch any parts or components on the circuit board. Static electricity could cause the control unit to fail.
- All previously saved network settings are placed in factory-preset status.

Step 1. Remove the 4 screws that hold the control unit's top panel to remove the top panel.



Step 2. Shift DIP switch 1 on the circuit board to the ON position and turn ON the control unit's power.
The RUN indicator flashes green as shown below:



Step 3. After confirming that the RUN indicator is flashing green, turn OFF the control unit's power.

Step 4. Shift DIP Switch 1 back to the OFF position.

Step 5. Reattach the top panel as before.

Reverts to the factory-preset network setting.

Use the system after setting the control unit's functions from the Web browser. (See p. 14, "Settings Using Web Browser.")

12. TROUBLESHOOTING

Symptom	Possible Cause	Remedy
No audio output.	Power is not supplied to the system.	Check to see if power is supplied to the control unit, switching hub and that the array microphone is connected to the controller.
	Problem lies with wiring between systems.	Confirm that the array microphone is correctly connected to the control unit.
		Confirm that the control unit is correctly connected to all external equipment.
	Mute function is enabled.	Check to see if the array microphone's microphone status indicator is lit red or the control unit's mute indicator.
		Confirm whether the Tracking Sensitivity value is too large while Tracking Control is set to ON. (See p. 16, "Microphone settings 1.")
		Check to see if the external equipment volume is turned down.
Does not automatically track the sound source.	Tracking settings are not appropriate.	Confirm that Tracking Control is set to ON. (See p. 16, "Microphone settings 1.")
		Check that the speaker talking is within the sound source detection range.
		Check whether the Tracking Sensitivity value is too large. (See p. 16, "Microphone settings 1.")
		Check that the Output Mode is not set to "Cardioid in error." (See p. 17, "Microphone settings 2.")
Cannot connect to the system from PC.	Power is not supplied to the system.	Confirm that power is being supplied to the control unit, array microphone, and switching hub.
	IP address not correct.	Confirm the control unit's IP address. If the control unit's IP address is unknown, start the control unit in Test mode. (See p. 19, "STARTING THE SYSTEM IN TEST MODE.") Contact your TOA dealer about starting the control unit in Test mode.
	Problem lies with wiring between systems.	Confirm that the array microphone is correctly connected to the control unit.
Confirm that the control unit is correctly connected to the switching hub.		
Application freezes.	Communication environment is unstable.	Check the control unit and switching hub for correct connection.
		Check the system's power supply.

13. SPECIFICATIONS

Model No.	AM-1B	AM-1W
Product Composition	Array microphone 1, Control unit 1	
Array Microphone		
Power Source	24 V DC (supplied from the Control unit)	
Microphone	Unidirectional electret condenser microphone	
Directivity Angle	Horizontal: 50° (800 Hz – 18 kHz, Array mode), 180° (Cardioid mode) Vertical: 90°	
Frequency Response	150 Hz – 18 kHz	
Maximum Input Sound Pressure	100 dB SPL	
Operation	Mute switch	
Indicator	Microphone status indicator (output: green, mute: red)	
Microphone Cable	Shielded twisted pair cable 10 m (32.81 ft) with connector equivalent to TA-3	
Maximum Cable Distance	70 m (229.66 ft) (use of the AES/EBU cable)	
Finish	Body, Punched net: Surface-treated steel plate, black, 30% gloss Side cover: ABS resin, black	Body, Punched net: Surface-treated steel plate, white (RAL 9016 equivalent), 30% gloss Side cover: ABS resin, white (RAL 9016 equivalent)
Dimensions	483.9 (w) x 22.1 (h) x 64.9 (d) mm (19.05" x 0.87" x 2.56")(excluding Cable)	
Weight	1.2 kg (2.65 lb)	
Control Unit		
Power Source	24 V DC (supplied from the AC adapter (option)) Usable DC power supply plug: 5.5 mm (0.22") outer diameter, 2.1 mm (0.08") inner diameter, 9.5 mm (0.37") long, and non-polarity type	
Current Consumption	410 mA or less	
Signal to Noise Ratio	90 dB or more	
Input	Combined type of TA-3 (dedicated to the array microphone)	
Output	Combined type of XLR-3-32, Removable terminal block (3 pins)	
Network	Network I/F: 10BASE-T/100BASE-TX, RJ45 connector Network protocol: TCP/IP, HTTP	
Level Control	Output level selection (+4 dB*1, -10 dB*2, -50 dB*1), LOW CUT ON/OFF	
Operation	Power switch	
Indicators	Power indicator (blue), Mute indicator (red), Signal indicator (green)	
Finish	Pre-coated steel plate, black, 30% gloss	
Dimensions	210 (w) x 45.7 (h) x 271.5 (d) mm (8.27" x 1.8" x 10.69")	
Weight	1.5 kg (3.31 lb)	
Dedicated Software	PC browser software (for setting of tracking distance/range, sensitivity/speed, mute ON/OFF)	
Operating Temperature	0 °C to +40 °C (32 °F to 104 °F)	
Operating Humidity	90% RH (no condensation)	

*1 0 dB = 0.775 V

*2 0 dB = 1 V

Note: The design and specifications are subject to change without notice for improvement.

• **Accessory**

Removable terminal plug (3 pins) 1

• **Optional products**

AC adapter: AD-246*

Rack mounting bracket: MB-15B-BK (for rack mounting one control unit)
MB-15B-J (for rack mounting two control units)

Wall mounting bracket: YC-850 (for one control unit)

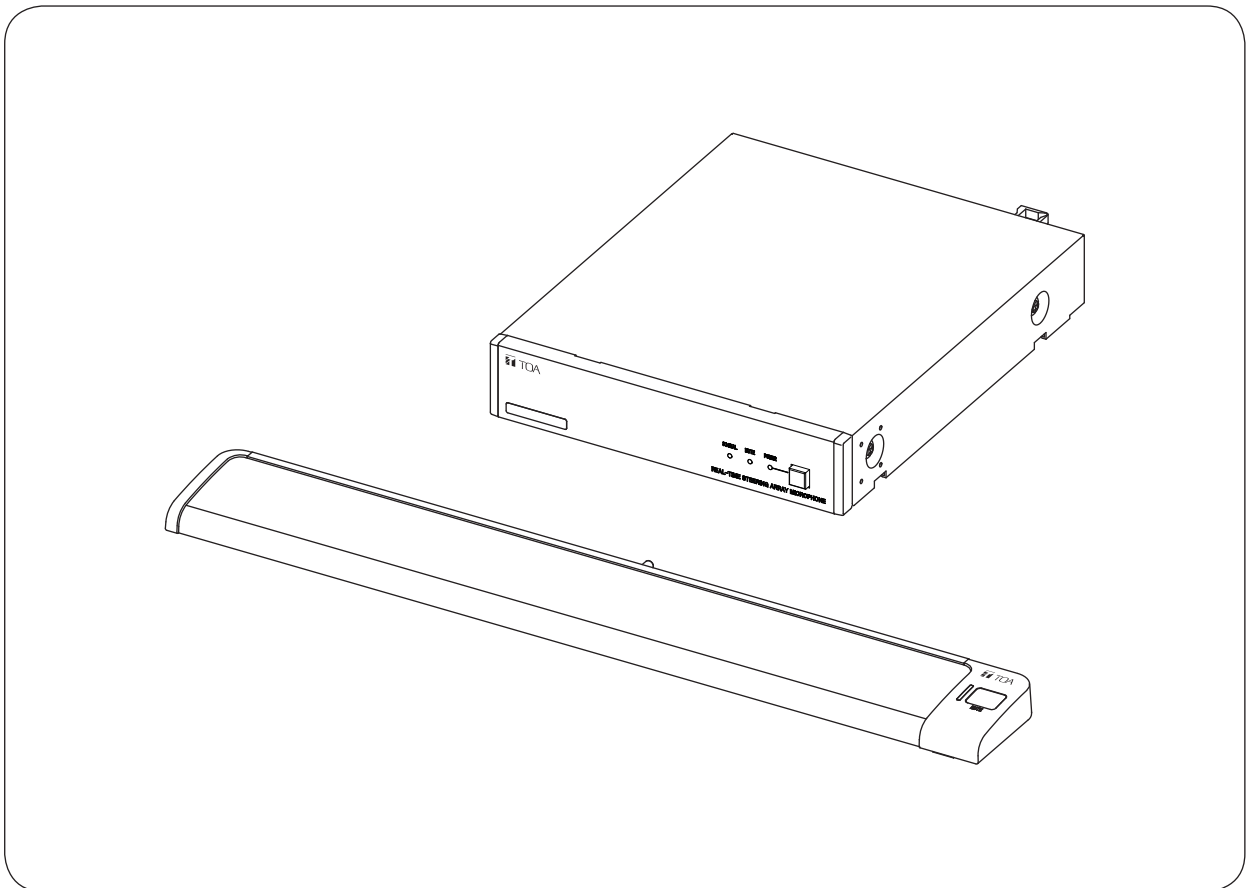
* Consult your TOA dealer when using an equivalent adapter.

Traceability Information for Europe

Manufacturer:
TOA Corporation
7-2-1, Minatojima-Nakamachi, Chuo-ku, Kobe, Hyogo,
Japan

Authorized representative:
TOA Electronics Europe GmbH
Suederstrasse 282, 20537 Hamburg,
Germany

实时 自动定位 阵列式麦克风

AM-1B
AM-1W

竭诚感谢您惠购TOA实时 自动定位 阵列式麦克风。
请您务必阅读本使用说明书, 以便正确而长久地使用本产品。

目录

1. 安全须知	26
2. 使用说明书的构成	27
3. 概述	27
4. 特点	28
5. 使用注意事项	28
6. 各部分的名称和功能	28
6.1. 阵列式麦克风	28
6.2. 控制单元	29
7. 连接方法	30
7.1. 系统示例	30
7.2. 连接AC适配器	30
7.3. 连接网络	31
7.4. 脱卸式接线插头的连接方法	31
8. 控制单元的安装方法	32
8.1. 安装于机架上时	32
8.2. 安装于墙上时	33
9. 设置机器	34
9.1. 音频输出的切换	34
9.2. 设置音质	34
10. 系统设置	35
10.1. 系统设置概述	35
10.2. 系统要求	35
10.3. 从Web浏览器进行设置	36
11. 用测试模式启动的方法	41
12. 当认为故障时	43
13. 规格	44
附件	44
另购配件	44

※ Windows和Internet Explorer是美国Microsoft Corporation在美国及其他国家的注册商标。

※ Google Chrome是Google Inc.的商标。

※ 其他公司名称及产品名称是各公司的商标。

1. 安全须知

- 使用之前务必阅读安全须知, 以便正确使用。
- 这里所列的注意事项记载的是有关安全的重要内容, 请务必遵守。
- 读后请放在随时都能查阅的地方保存。

关于标示

为了安全而正确地使用产品, 将对您和他人的危害及财产损失防患于未然, 本说明书中使用各种标示, 请了解标示的内容后阅读正文。



警告

表示操作错误可能会发生造成人员死亡或受重伤的事故。



注意

表示操作错误可能会发生造成人员受轻伤及仅物品受损的事故。



警告

设置和安装时

- 不要淋上水
注意不要将本机放入水中, 或淋上水。
否则可能会发生火灾或触电事故。
- 不要在非规定的电源电压下使用
不要在超过标示的电源电压下使用。
否则可能会发生火灾或触电事故。
- 不要损伤电源线
不要损伤电源线, 或对电源线进行加工, 或将其靠近发热器具, 也不要在线上搁置重物。
否则可能会发生火灾或触电事故。
- 不要放在不平稳的地方
不要放在摇晃的台座上或倾斜的地方等不平稳的地方。
否则可能会掉落、翻倒, 发生人员受伤事故。
- 不要在户外使用
本机是室内专用品。
在户外使用, 受到雨淋后可能会发生触电事故。
- 不要用非规定的方法进行安装
不遵守规定的安装方法, 强行用力可能会掉落而发生受伤事故。
- 使用规定的组件
使用规定的机架安装配件。
使用非规定的组件, 可能会掉落而发生受伤事故。

使用时

- 万一发生异常
发生下列情况时, 请断开电源开关, 拔下电源插头并与经销店联系。
继续使用可能会发生火灾或触电事故。
 - 冒烟、有异味
 - 内部进水或进入异物
 - 掉落、机壳破损
 - 电源线受损 (芯线露出、断线等)
 - 不发声
- 不要打开内部, 不要进行改装
内部有高电压部位, 打开机壳或进行改装可能会发生火灾或触电事故。
要打开内部应委托专业公司。
- 不要在本机上搁放装有液体的容器或小金属物品
液体洒落, 小金属物品掉入本机内可能会发生火灾或触电事故。

注意

设置和安装时

- 不要用潮湿的手接触AC适配器的电源插头
不要用潮湿的手插拔AC适配器的电源插头。
否则可能会发生触电事故。
- 不要拉扯电源线
拔下AC适配器的电源插头时, 不要拉着电源线拔下。否则可能会损伤电线, 发生火灾和触电事故。
务必拿住插头拔下。
- 要移动时应拔下AC适配器的电源插头
不拔下就移动可能会可能会损伤电线, 发生火灾和触电事故。
- 不要放在湿气和灰尘多的地方
不要放在湿气和灰尘多的地方、阳光直射到的地方、发热器具近旁、油烟熏到或蒸气喷到的地方。
否则可能会发生火灾和触电事故。

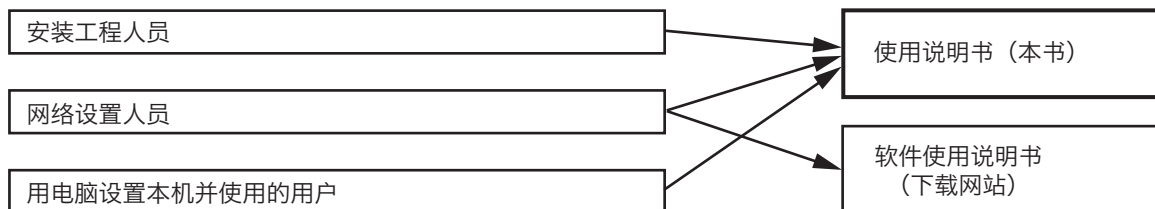
- 安装到机架上时的注意事项
务必遵守下列事项。
若未遵守, 可能会发生火灾和受伤事故。
 - 机架应安装在平稳的地方, 并用基础螺栓等采取防翻倒、防移动措施。
 - 将电源线连接到插座时, 不得超过插座的容许电流。
 - 机架安装配件中附带的机架固定螺钉是本公司的机架专用螺钉。不要用于其他的机架。

使用时

- 使用规定的AC适配器
若使用非规定的AC适配器, 可能会发生火灾事故。
- 清扫电源插头和插座
插电源插头的插座若积有灰尘, 可能会发生火灾事故。应定期清扫插座。
此外, 电源插头应插到底。
- 维护时、长期不使用时的注意事项
维护时或长期不使用本机时, 为安全起见, 应断开电源开关, 并将电源插头从插座上拔下。
若未遵守, 可能会发生触电、火灾事故。

2. 使用说明书的构成

本机的使用说明书分为2种, 请根据目的阅读所需的说明书。



※ 软件使用说明书请从TOA商品数据下载网站 (<https://www.toa-products.com/international/>) 下载最新版。

3. 概述

本产品是一款高性能可实时自动定位的阵列式麦克风, 通过独有的算法检测声源位置并调节指向性, 从而有效地对目标声音进行集音。

本机由阵列式麦克风和控制单元构成。阵列式麦克风有黑色的AM-1B和白色的AM-1W。

4. 特点

- 阵列式麦克风由8个麦克风单元组成, 在水平角50° 的指向角内具有阵列效果。
- 通过独有的算法检测声源位置, 自动实时控制阵列式麦克风的指向性, 从而有效地对目标声音进行集音。
- 能通过电脑的浏览器进行功能设置。
- 可从阵列式麦克风搭载的静音开关进行阵列式麦克风的静音操作。

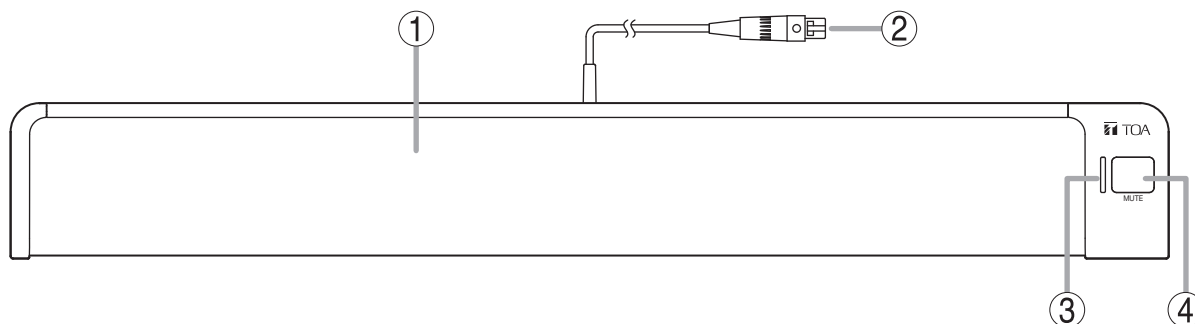
5. 使用注意事项

- 不要用手或文具类等障碍物遮盖阵列式麦克风的麦克风部分, 否则本机性能将无法得到充分发挥。
- 如果安装在机架上, 功率放大器周边可能会超过本机的工作温度范围, 故不要设置在功率放大器周边。
- 不要掉落到地板上, 不要与坚硬物品碰撞, 否则可能会发生故障。
- 本机工作时不要在近旁使用手机, 否则可能会有噪声。
- 清扫本机时, 务必断开电源开关后用干布擦拭。脏污严重时可用抹布沾上中性洗涤剂擦拭。切勿使用挥发油、香蕉水、酒精类和化学抹布, 否则可能会发生变形和变色。

6. 各部分的名称和功能

6.1. 阵列式麦克风

[上面]



1. 麦克风部分

内部放有8个麦克风单元。

注意

为了机器的性能得以充分发挥, 不要用手或其他物品遮住麦克风部分。

2. 麦克风电缆 (附带TA-3连接器)

连接至控制单元的麦克风输入端子。

3. 麦克风状态指示灯 (绿色/红色)

阵列式麦克风连接至控制单元时, 显示麦克风的

电源ON时 : 亮灯 (绿色)

电源OFF时 : 灭灯

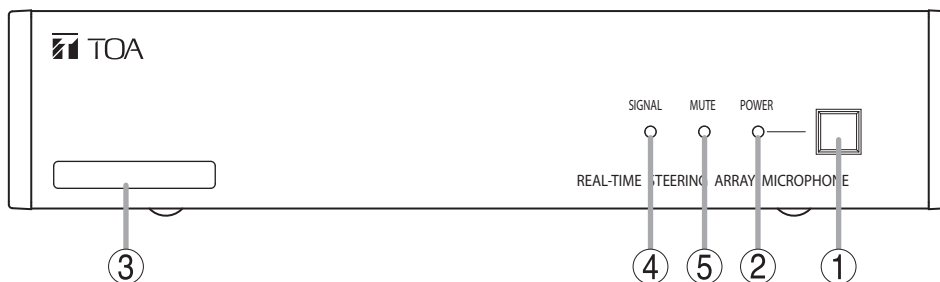
麦克风静音时 : 亮灯 (红色)

4. 静音开关 [MUTE]

此开关用于将从阵列式麦克风输入的声音静音。

6.2. 控制单元

[前面]



1. 电源开关

按下后接通电源, 再按一下关闭电源。

2. 电源指示灯 [POWER] (蓝色)

电源接通时亮灯。

3. MAC地址

这是本机的MAC地址。

用- (连字符) 划分的12位英文字母数字。

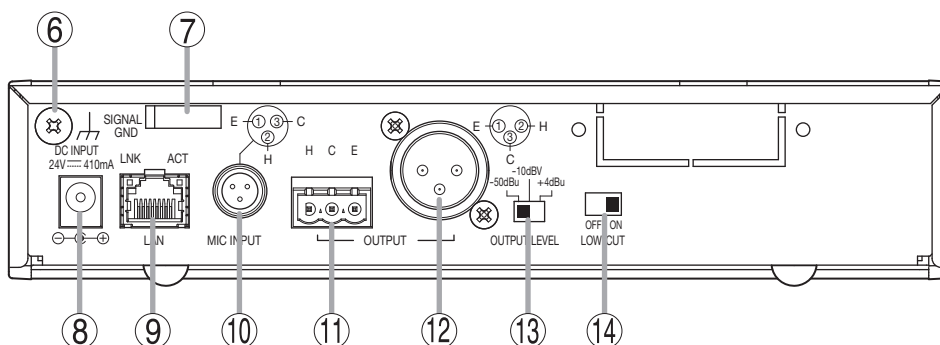
4. 信号指示灯 [SIGNAL] (绿色)

有音频信号输出时显示灯亮。静音时显示灯不亮。

5. 静音指示灯 [MUTE] (红色)

音频输出被静音时亮灯。

[后面]



6. 功能接地端子 [SIGNAL GND]

与本设备以外的设备连接, 有较多噪声时, 请将端子与外部设备接地端子相连接。这样可有效减少噪声的出现。

※ 这不是安全接地。

7. 电线夹

夹住电线固定, 以防AC适配器的插头脱落。

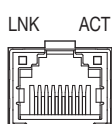
8. 电源输入端子 [DC INPUT]

连接规定的AC适配器。

适合DC电源头规格: 外径5.5mm, 内径2.1mm, 长9.5mm,中心针 为正极。

9. 网络连接端子 [LAN] (RJ45接口)

连接至支持10BASE-T或100BASE-TX的网络。



LNK LED: 连接至网络时亮灯。

ACT LED: 通信过程中亮灯。

10. 麦克风输入端子 [MIC INPUT] (TA-3连接器)

连接阵列式麦克风的麦克风电缆。请勿连接其他机器。

11. 音频输出端子 [OUTPUT] (装卸式接线板)

连接至混音器、放大器的音频输入端子。

H: Hot、C: Cold、E: 接地 (屏蔽)

12. 音频输出端子 [OUTPUT] (XLR-3-32连接器)

连接至混音器、放大器的音频输入端子。

13. 输出电平切换开关 [OUTPUT LEVEL]

切换音频的输出电平。

切换电平: -50 dB^{*1} / -10 dB^{*2} / $+4\text{ dB}^{*1}$

14. 低频截止开关 [LOW-CUT]

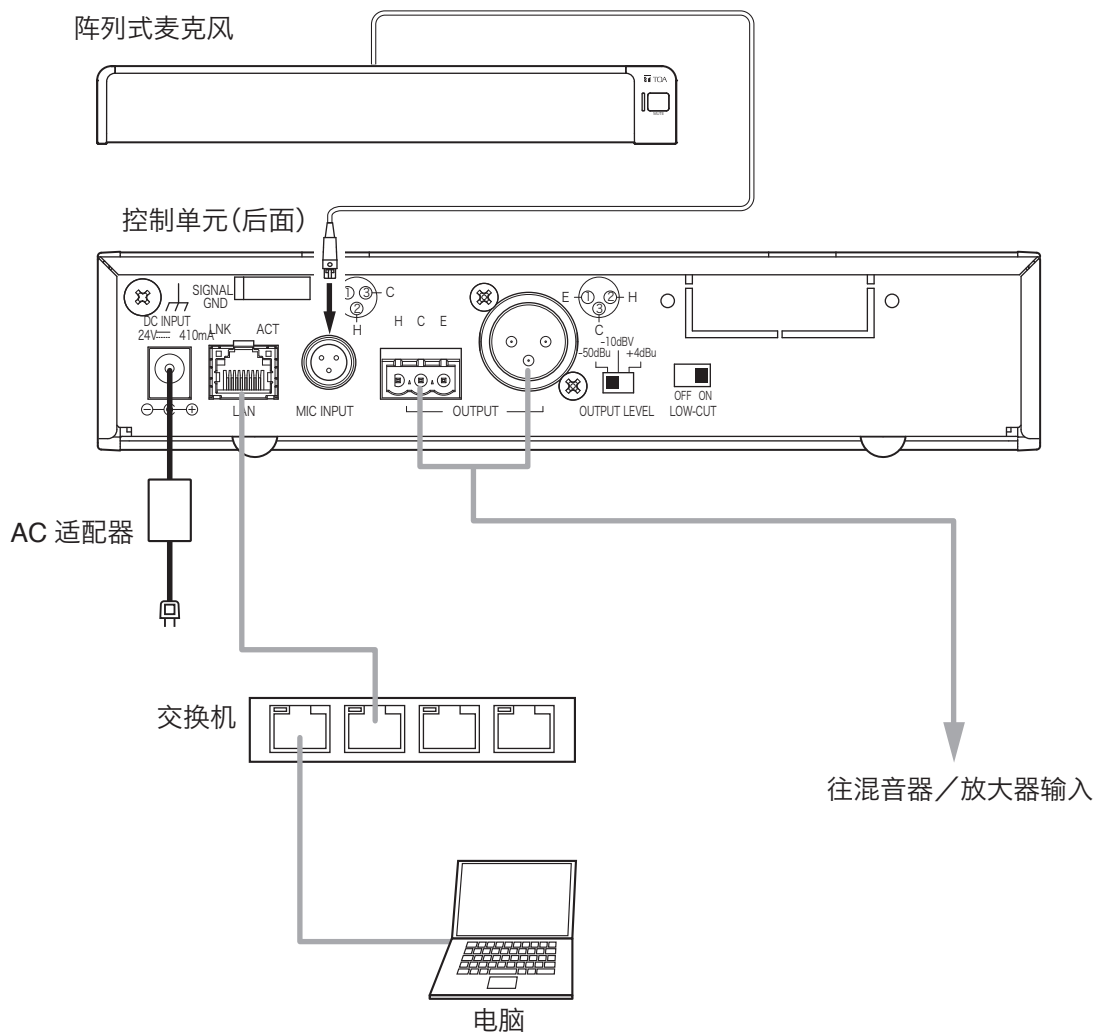
当感到音频输出的低频成分不足时, 可关闭此开关。

*1 $0\text{ dB} = 0.775\text{ V}$

*2 $0\text{ dB} = 1\text{ V}$

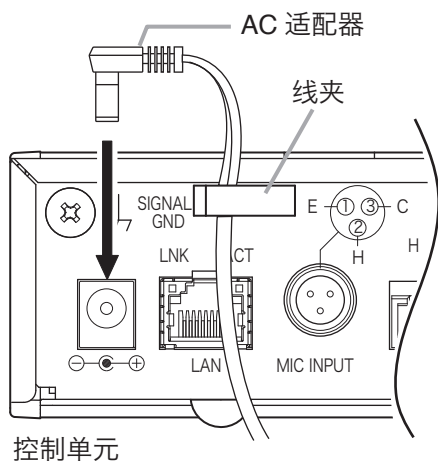
7. 连接方法

7.1. 系统示例



7.2. 连接 AC 适配器

将规定的AC适配器连接至控制单元的电源输入端子。
用线夹夹住电线并固定。

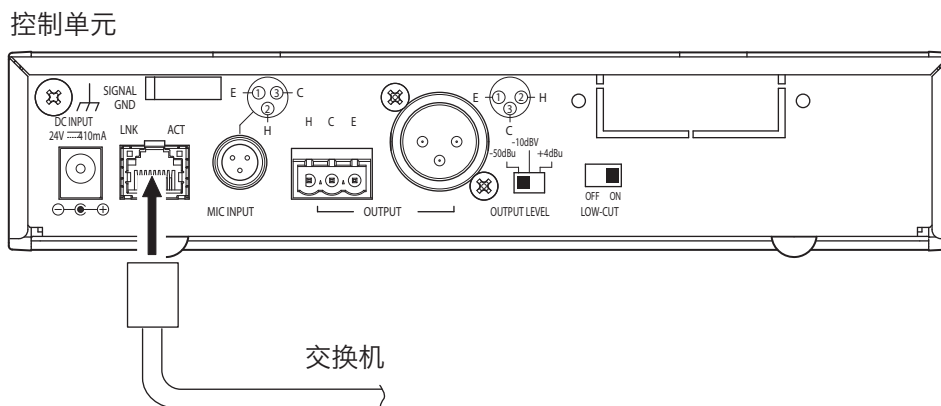


⚠ 注意

使用规定的AC适配器。
若使用非规定的AC适配器, 可能会发生火灾事故。

7.3. 连接网络

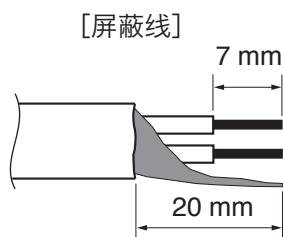
控制单元自动识别并连接10BASE-T/100BASE-TX的网络。
连接应使用附带RJ45连接器的UTP5类以上的直连电缆。



7.4. 脱卸式接线插头的连接方法

使用附带的装卸式接线板连接音频输出端子时应注意以下几点。

- 请务必使用屏蔽线。
- 请注意线材的剥掉皮的部分，镀有焊锡，请避免破坏。
在捆扎线材等时候如果破坏了线头部的焊锡，则有可能增高接触阻抗，从而导致接触部位的温度异常升高。
- 线材的种类使用的是AWG12 ~ 24 型号。
- 电线裸露长度如下。

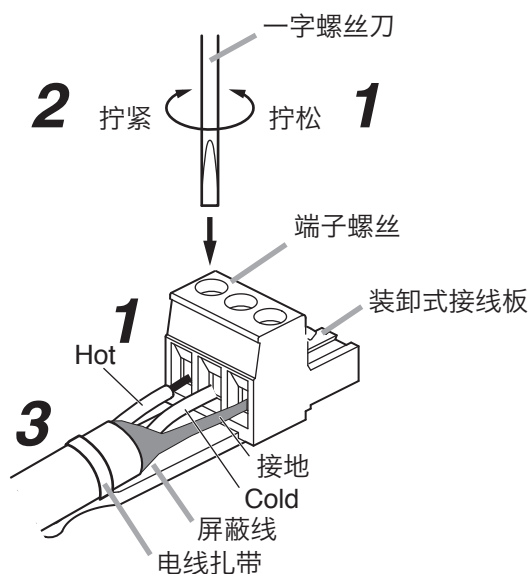
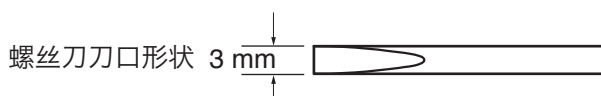


7.4.1. 插头的连接步骤

- 第 1 步** 拧松端子上螺丝钉然后插入线材。
- 第 2 步** 把端子上的螺丝钉拧紧。
※ 拉电线，确认不会脱落。
- 第 3 步** 用电线扎带将插头和电线固定住，使电线不会脱落。
- 第 4 步** 将插头插入音频输出端子。

备注

推荐的一字螺丝刀：刀头宽度为3mm左右的螺丝刀



8. 控制单元的安装方法

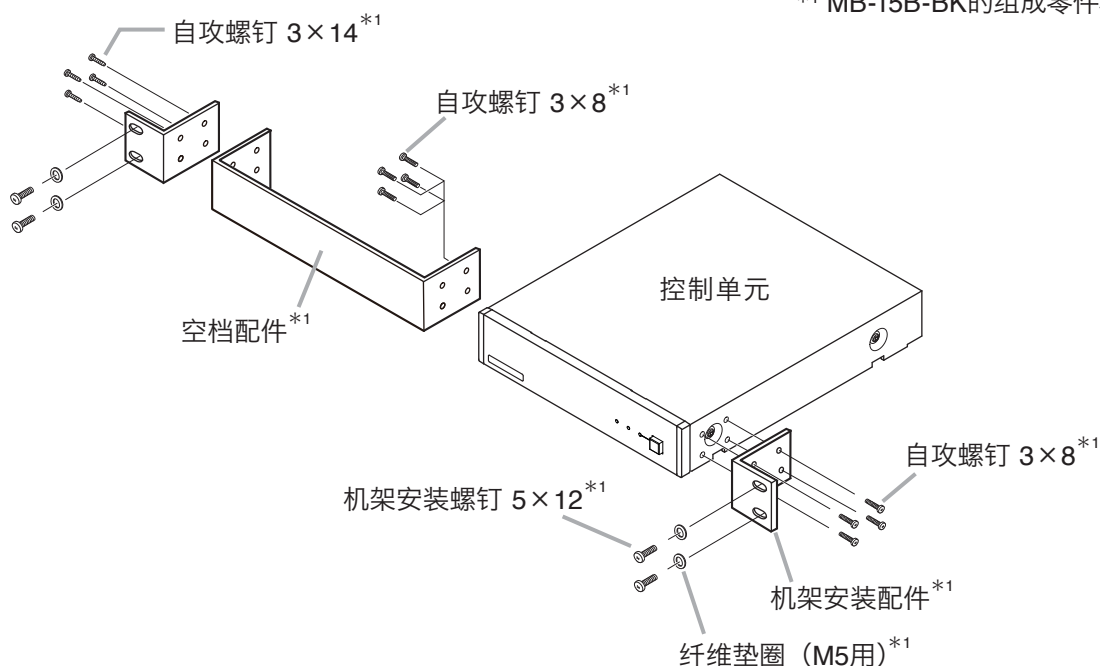
8.1. 安装于机架上时

- 安装于机架上需要使用另购的配件组。
- 安装于机架之前, 先拆下控制单元底面的4个橡胶脚。

8.1.1. 在机架上安装 1 台

在机架上安装1台需要使用另购的配件MB-15B-BK。

*1 MB-15B-BK的组成零件和附件



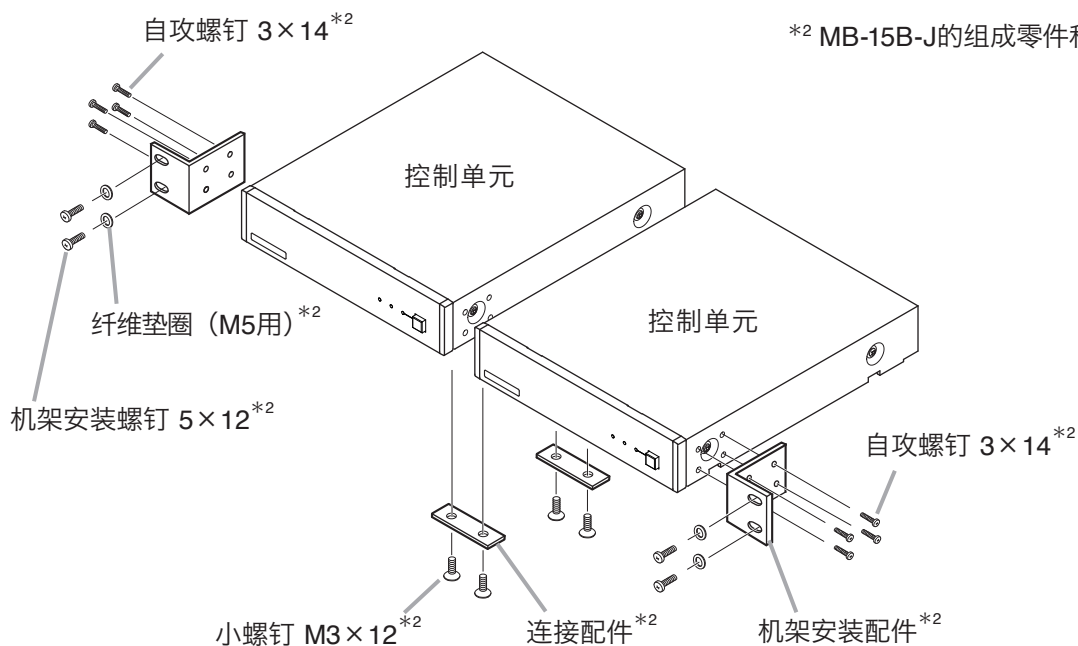
8.1.2. 在机架上安装 2 台

在机架上安装2台需要使用另购的配件MB-15B-J。

注意

不可用MB-15B-J将控制单元与其他设备连接安装在机架上。

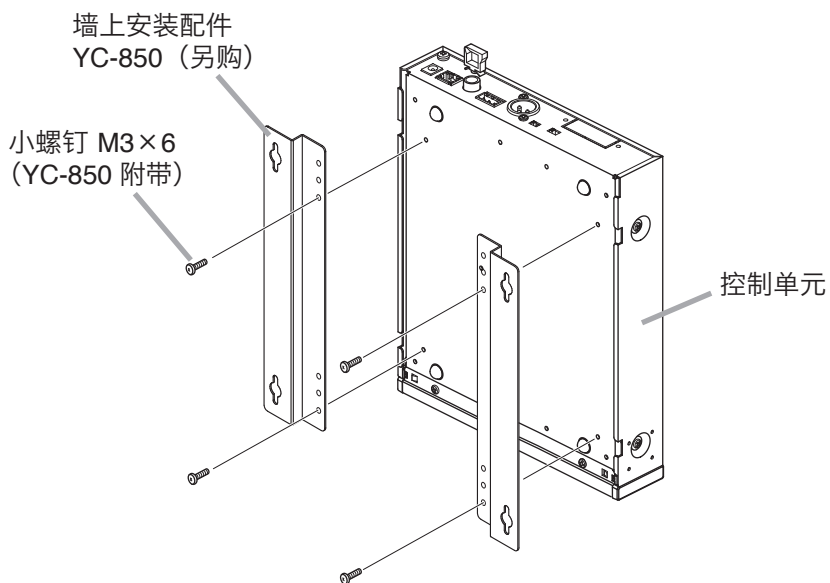
*2 MB-15B-J的组成零件和附件



8.2. 安装于墙上时

安装于墙上需要使用另购的墙上安装配件YC-850。

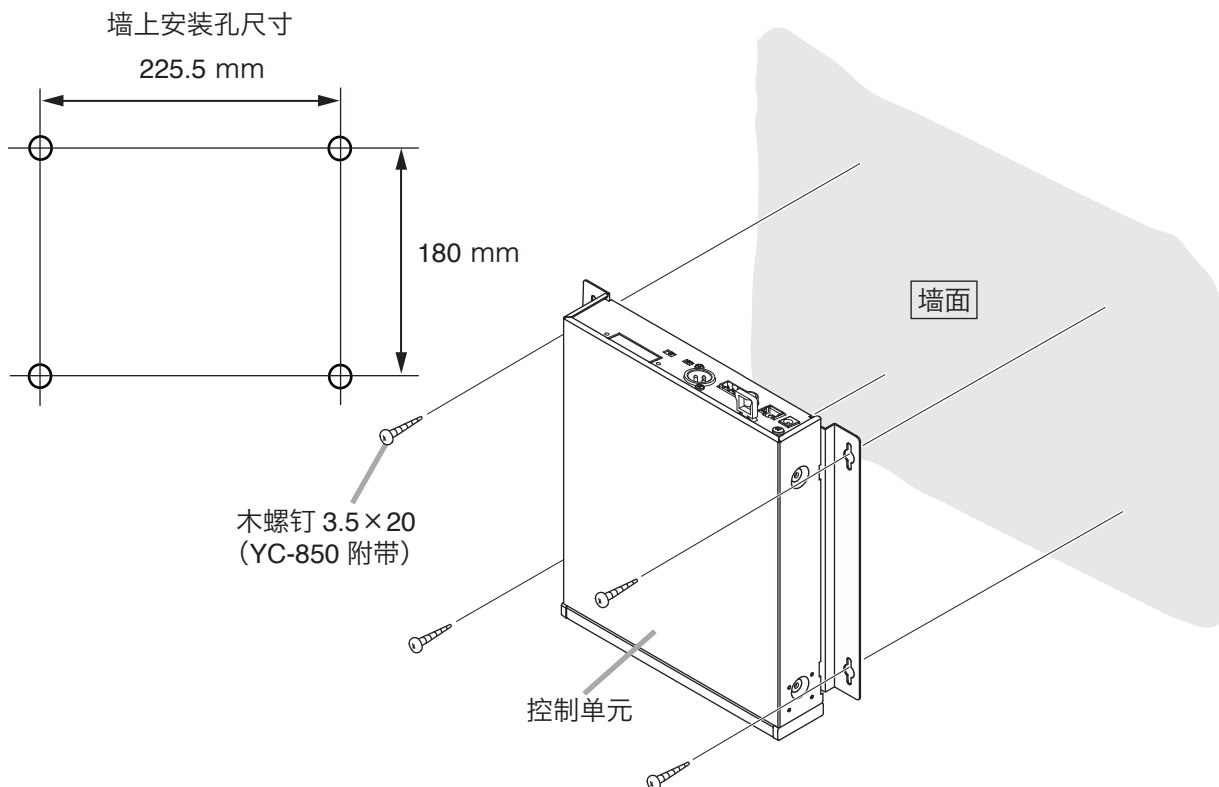
第 1 步 将另购的墙上安装配件YC-850装到控制单元上。



第 2 步 将控制单元安装到墙上。

注意

- 应根据墙面的材料选用安装螺钉。
- 墙上安装配件YC-850中附带木螺钉3.5×20。
- 为了防止电源插头脱落, 请不要将电源适配器悬空放置。

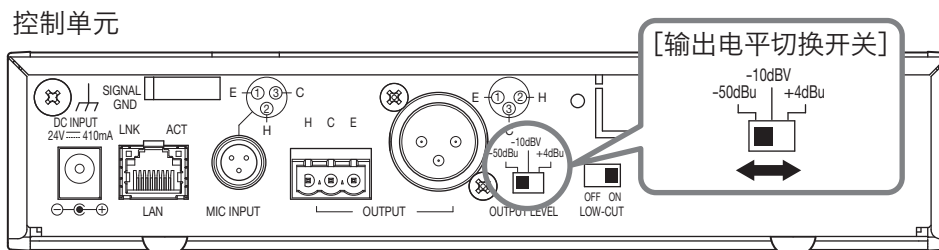


9. 设置机器

9.1. 音频输出的切换

第 1 步 确认机器所有的电缆和连接器已正确连接。

第 2 步 根据所连接的混音器、放大器的输入电平切换输出电平切换开关。



※ 图为出厂时的设置。

第 3 步 打开控制单元的电源开关。

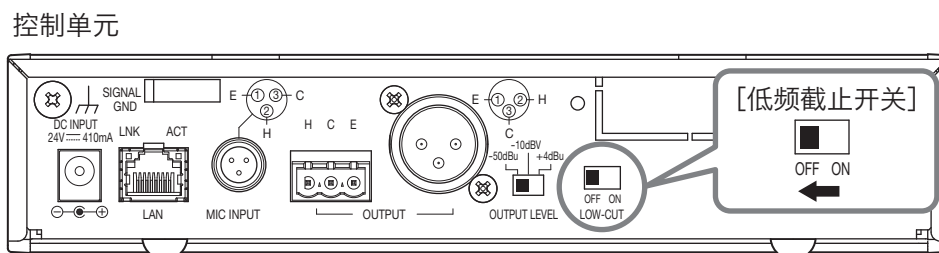
9.2. 设置音质

注意

在“OutputMode”中的“阵列模式”可以设定音质,在“心型模式”中不能设定音质。关于“OutputMode”请参考第39页“麦克风设置2”。

可通过低频截止开关截止音频输出的低频成分。

出厂时设置为“ON”,当感到低频成分不足时,可将此开关设到“OFF”,关闭此开关。



10. 系统设置

10.1. 系统设置概述

可从电脑的Web浏览器进行功能设置和控制。

[功能设置]

- 设置追踪范围: 水平角度和距离
- 检测灵敏度
- 追踪速度
- 自动音量修正: 设置功能ON/OFF、有效距离
- 静音开关功能的ON/OFF
- 保存设置内容

[控制]

- 调整输出声压级
- 读取预设内存

10.2. 系统要求

已确认的动作环境如下。

- OS : Windows 10 Pro (64 bit)
Web网页 : Google Chrome (Version 56.0.2924.87)
Internet Explorer 10 (Version 10.0.9200.17609)

10.3. 从 Web 浏览器进行设置

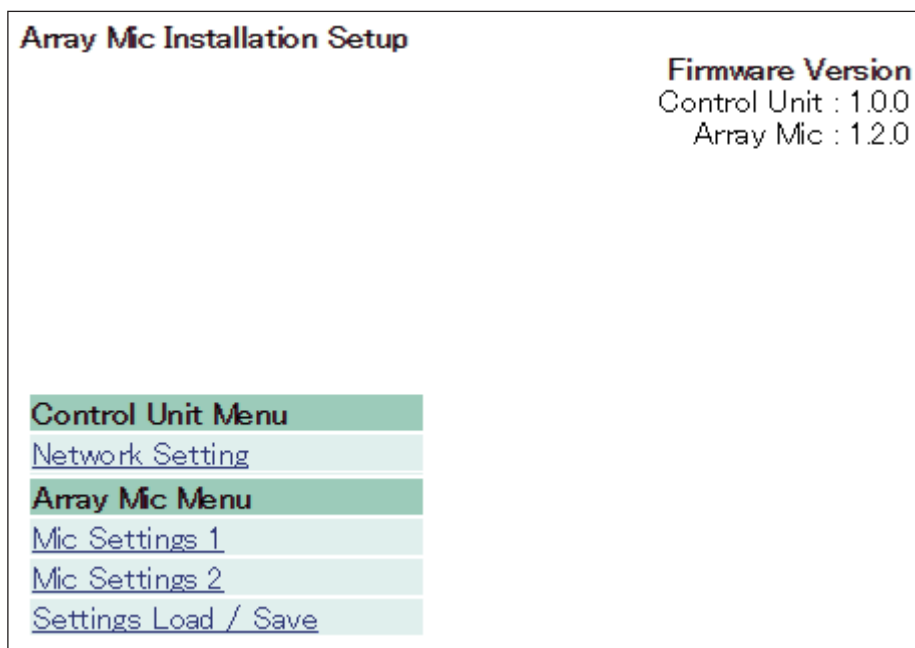
10.3.1. 概述

能够通过电脑Web浏览器进行阵列式麦克风及控制单元的功能设置。

10.3.2. 菜单画面

启动Web浏览器, 在地址栏里输入控制单元的IP地址*后, 出现菜单画面。

* 出厂时设置为192.168.1.14。



Network Setting : 网络设置
Mic Settings 1 : 麦克风设置1
Mic Settings 2 : 麦克风设置2
Settings Load/Save : 读取或保存设置

10.3.3. 网络设置

单击菜单画面上的“Network Setting”。
设置控制单元的网络参数。

Network Setting				
IP Address	192	168	1	14
Subnet Mask	255	255	255	0
Default Gateway	0	0	0	0
MAC Address	00:05:f9:ff:ff:ff			
ArrayMic Name	AM-1			
<input type="button" value="Save"/> <input type="button" value="Back to Menu"/>				

能够对下列项目进行编辑。

IP Address : 输入IP地址。
Subnet Mask : 输入子网掩码。
Default Gateway : 输入默认网关。
MAC Address : MAC地址无法更改。
ArrayMic Name : 输入阵列式麦克风名称 (英文字母数字、符号, 最多16个半角字符)。

[按钮操作]

Save : 将设置保存到内存“Default”。
备注
更改网络设置后, 请重启控制单元的电源。
控制单元重启后, 打开本画面, 确认是否正确更改。

Back to Menu : 返回菜单画面。

10.3.4. 麦克风设置 1

单击菜单画面上的“Mic Settings 1”。
设置有关追踪控制 (Tracking Control) 的麦克风参数。

Mic Settings 1

Tracking Control		Mic Parameters	
ON	<input checked="" type="radio"/>	Tracking Angle	-90 <input type="text" value=""/> - 90 <input type="text" value=""/> [deg]
		Tracking Distance	3.0 <input type="text" value=""/> [m]
		Tracking Speed	10 <input type="text" value=""/>
		Tracking Sensitivity	-12 <input type="text" value=""/> [dB]
OFF	<input type="radio"/>	Angle	0 <input type="text" value=""/> [deg]
		Distance	1.0 <input type="text" value=""/> [m]

[选择Tracking Control]

用单选按钮选择“ON”或“OFF”模式。

ON : 自动追踪声源。

OFF : 不自动追踪声源。

[Tracking Control为ON时的麦克风设置]

Tracking Angle : 进行自动追踪的水平角度的范围 (-90~90 [deg])

Tracking Distance : 进行自动追踪的距离 (0.5~3.0或∞ [m])

※ 3.1以上的数值作为∞处理, 显示15.0。

Tracking Speed : 设置1~100。数值越大追踪速度越快。

Tracking Sensitivity : 设置进行追踪的电平阈值。输入声压级在阈值以上时进行追踪。(-24~0 [dB])

[Tracking Control为OFF时的麦克风设置]

Angle : 角度 (-90~90 [deg])

Distance : 距离 (0.0~2.0 [m])

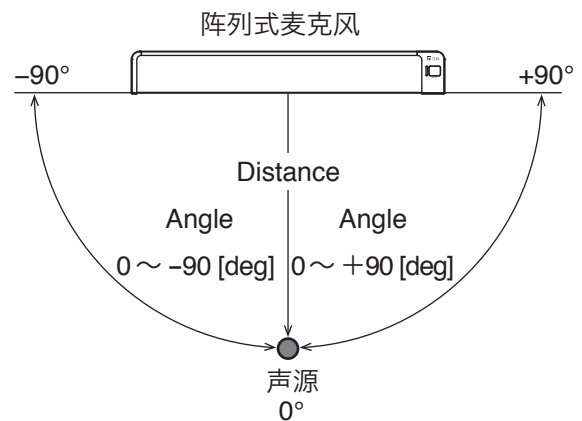
[按钮操作]

Apply : 将设置反映到阵列式麦克风。
此按钮操作不保存到内存。

Save : 将设置保存到内存“Default”。

Back to Menu : 返回菜单画面。

[关于Angle和Distance]



10.3.5. 麦克风设置 2

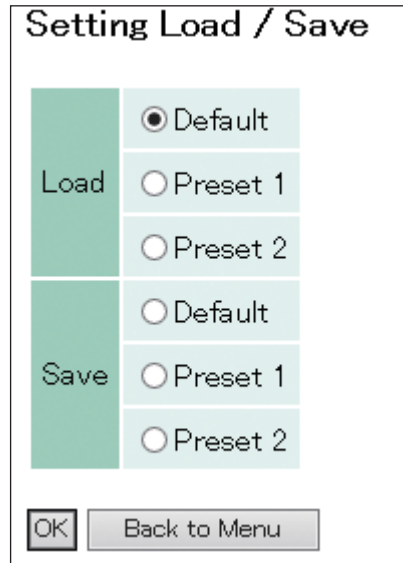
单击菜单画面上的“Mic Settings 2”。
设置追踪控制 (Tracking Control) 以外的麦克风参数。

Mic Settings 2		
<input type="button" value="Apply"/>		
Output Mode		Array ▾
Output Level		0 [dB]
Auto Gain Control		OFF ▾
	Distance	0.5 [m]
Mute Button Control		ON ▾
<input type="button" value="Save"/> <input type="button" value="Back to Menu"/>		

- Output Mode** : 选择阵列模式 (Array) 或心形模式 (Cardioid)。
阵列模式 : 作为阵列式麦克风工作, 可检测声源位置, 并对信号处理以达到一定音量。
心形模式 : 作为单一指向性麦克风工作。
- Output Level** : 设置音频的输出电平。(-24~24 [dB])
- Auto Gain Control** : 设置自动电平修正功能。设成“ON”为启用。
在Distance输入有效范围。Distance是功能有效的范围 (与阵列式麦克风的距离)。(0.5~2.0 [m])
- Mute Button Control** : 用阵列式麦克风的静音开关设置静音功能的启用/关闭。设成“ON”为启用。
- [按钮操作]
- Apply** : 将设置应用到阵列式麦克风。
此按钮操作不保存到内存。
- Save** : 将设置保存到内存“Default”。
- Back to Menu** : 返回菜单画面。

10.3.6. 读取或保存设置

单击菜单画面上的“Settings Load/Save”。
进行读取或保存设置。



- Load** : 将保存在内存的设置读入存储器。
选择从“Default”、“Preset 1”、“Preset 2”读取。
- Save** : 将存储器的设置保存到内存。
选择保存到“Default”、“Preset 1”、“Preset 2”。
- ※ 控制单元的电源重启时, 读取最后加载或保存的预设数据。

[按钮操作]

- OK** : 从选取的位置读取, 或保存到选取的位置。
- Back to Menu** : 返回菜单画面。

[Default、Preset 1、Preset 2的初始值]

- Tracking Angle : $-90^{\circ} \sim 90^{\circ}$
- Tracking Distance : 3.0 m
- Tracking Sensitivity : -12 dB
- Tracking Speed : 10
- Auto Gain Control : OFF
- Output Mode : Array
- Mute Button Control : ON
- Output Level : 0 dB

11. 用测试模式启动的方法



警告

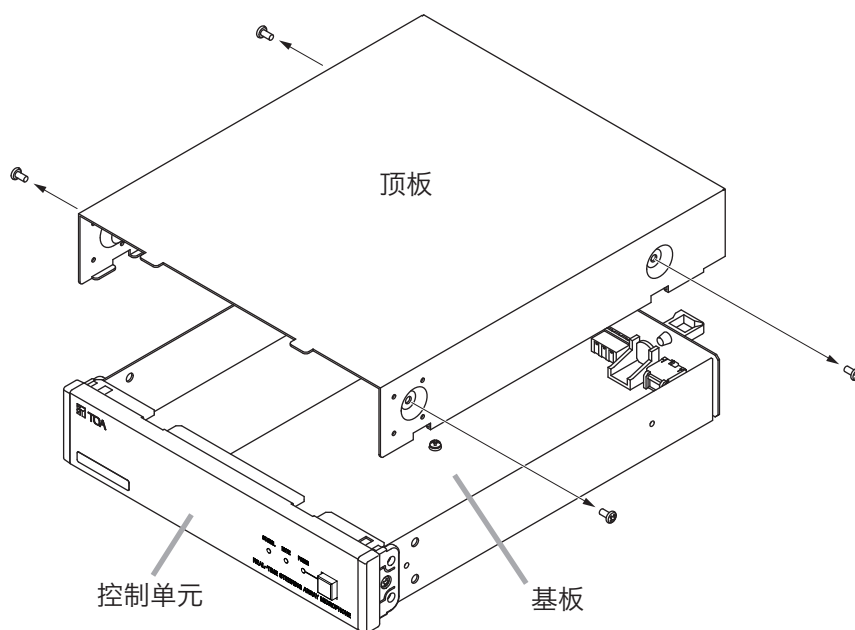
这里记载的操作应委托专业公司进行。
用户自行打开机壳、进行改装可能会发生火灾或触电事故。

如果不知道IP地址，用测试模式启动能将IP地址返回到出厂时的状态。
按下面的步骤启动测试模式。

注意

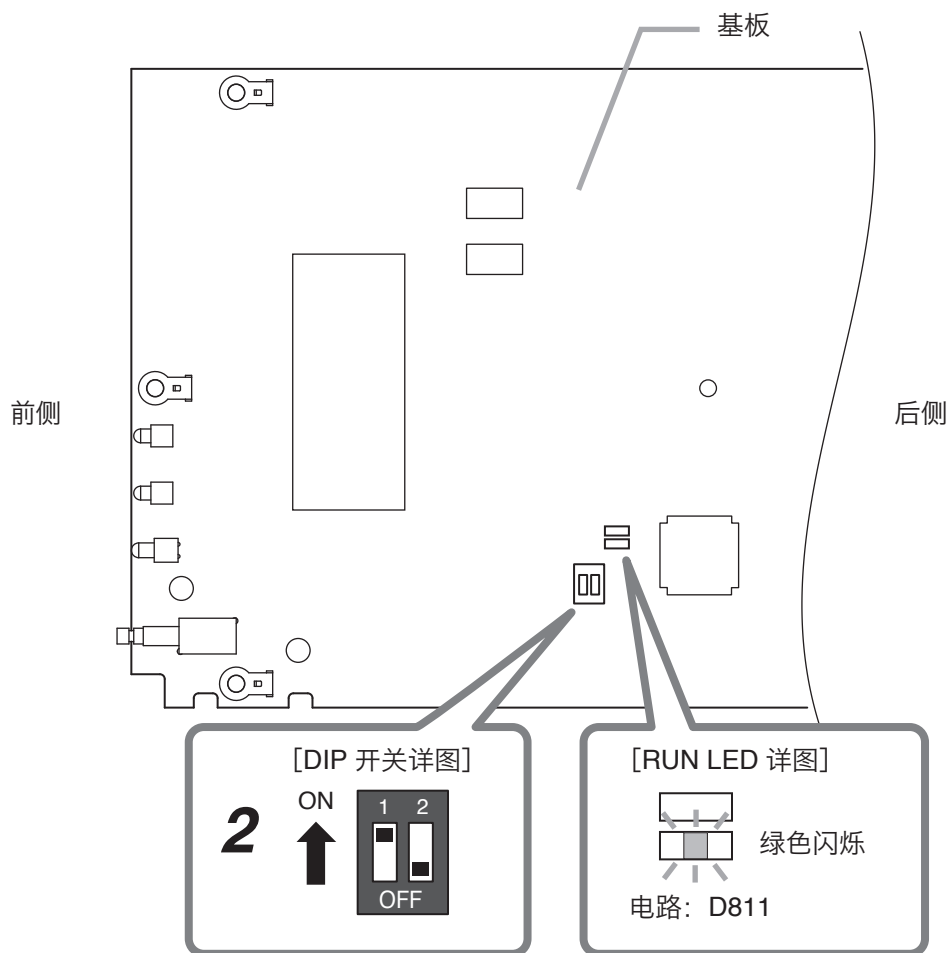
- 此操作应在关断控制单元电源的状态下进行。
- 请勿触碰基板上的零件，否则可能会因静电而发生故障。
- 之前保存的网络设置全部返回到出厂时的状态。

第 1 步 拆下固定控制单元顶板的4个螺钉，取下顶板。



第 2 步 将基板上的DIP开关1设为“ON”，接通控制单元的电源。

下图中的RUN LED呈绿色闪烁。



将 DIP 开关 1 设为 “ON”

第 3 步 确认RUN LED呈绿色闪烁后, 关断控制单元的电源。

第 4 步 将DIP开关1返回“OFF”。

第 5 步 按原样装上顶板。

返回到出厂时的网络设置。

从Web浏览器进行设置后使用。(第36页)

12. 当认为故障时

症 状	原 因	措 施
不输出音频。	系统未接通电源。	检查控制单元、阵列式麦克风、交换机是否接通电源。
	系统之间的布线存在问题。	检查阵列式麦克风与控制单元是否连接。
		检查控制单元与外部设备是否连接。
	设置为静音。	检查阵列式麦克风的麦克风状态指示灯是否为红色亮灯、控制单元的静音指示灯是否亮灯。 如果将Tracking Control设置为“ON”，请检查Tracking Sensitivity的设置值是否过大。 (☞ 第38页“麦克风设置1”) 检查外部设备的音量是否调小了。
不自动追踪声源。	追踪设置不正确。	检查Tracking Control是否设为“ON”。 (☞ 第38页“麦克风设置1”)
		检查是否是在声源检测范围内说话。
		检查Tracking Sensitivity的设置值是否过大。 (☞ 第38页“麦克风设置1”)
		检查Output Mode是否为“Cardioid”。 (☞ 第39页“麦克风设置2”)
未从电脑连接系统。	系统未接通电源。	检查控制单元、阵列式麦克风、交换机是否接通电源。
	IP地址错误。	检查控制单元的IP地址。如果不知道控制单元的IP地址，用测试模式启动后，会以192.168.1.14启动。 (☞ 第41页“用测试模式启动的方法”) 关于测试模式启动方法，请联系弊社营业窗口。
	系统之间的布线存在问题。	检查阵列式麦克风与控制单元是否连接。
检查控制单元与交换机是否连接。		
应用程序卡死。	通信环境不稳定。	检查控制单元与交换机、阵列式麦克风的连接。
		检查系统的电源。

13. 规格

型号	AM-1B	AM-1W
组成部件	阵列式麦克风 … 1、控制单元 … 1	
电 源	DC24 V (从控制单元供电)	
所用麦克风	单一指向性驻极体电容型	
指 向 角	水平：50° (800Hz~18kHz, 阵列模式)、180° (心形模式) 垂直：90°	
频 率 特 性	150 Hz~18 kHz	
最大输入声压	100 dB SPL	
操 作	静音开关	
显 示	麦克风状态指示灯 (输出: 绿色, 静音: 红色)	
输 出 线	屏蔽双绞线电缆 10 米, 附带TA-3相当品	
最大延长距离	70米 (使用AES/EBU电缆)	
材 料	主体、冲孔金属板： 表面处理钢板, 黑色, 3分光泽 两侧罩盖： ABS树脂, 黑色	主体、冲孔金属板： 表面处理钢板, 白色 (RAL9016近似色), 3分光泽 两侧罩盖： ABS树脂, 白色 (RAL9016近似色)
尺 寸	483.9 (宽) × 22.1 (高) × 64.9 (深) 毫米 (输出线除外)	
重 量	1.2公斤	
电 源	DC24 V (从规定的AC适配器供电), 适合DC电源头规格: 外径5.5mm, 内径2.1mm, 长9.5mm, 中心针为正极。	
消 耗 电 流	410 mA以下	
性 噪 比	90 dB以上	
输 入	TA-3相当品 (阵列式麦克风专用)	
输 出	XLR-3-32相当品, 装卸式接线板 (3P)	
网 络	网络I/F : 10BASE-T/100BASE-TX、RJ45 网络协议 : TCP/IP、HTTP	
调 节 开 关	输出电平切换 (+4 dB*1、-10 dB*2、-50 dB*1)、 低频截止 ON/OFF	
操 作	电源开关	
显 示	电源指示灯 (蓝色)、静音指示灯 (红色)、信号指示灯 (绿色)	
材 料	预涂钢板, 黑色, 3分光泽	
尺 寸	210 (宽) × 45.7 (高) × 271.5 (深) 毫米	
重 量	1.5公斤	
专 用 软 件	电脑浏览器软件 (追踪距离/范围、灵敏度/速度、静音ON/OFF的设置)	
工 作 湿 度 范 围	0~+40°C	
工 作 湿 度 范 围	90%RH以下 (不结露)	

*1 0 dB = 0.775 V

*2 0 dB = 1 V

※ 本机规格和外观可能会因改良而发生变更, 恕不预先通告。

• 附件

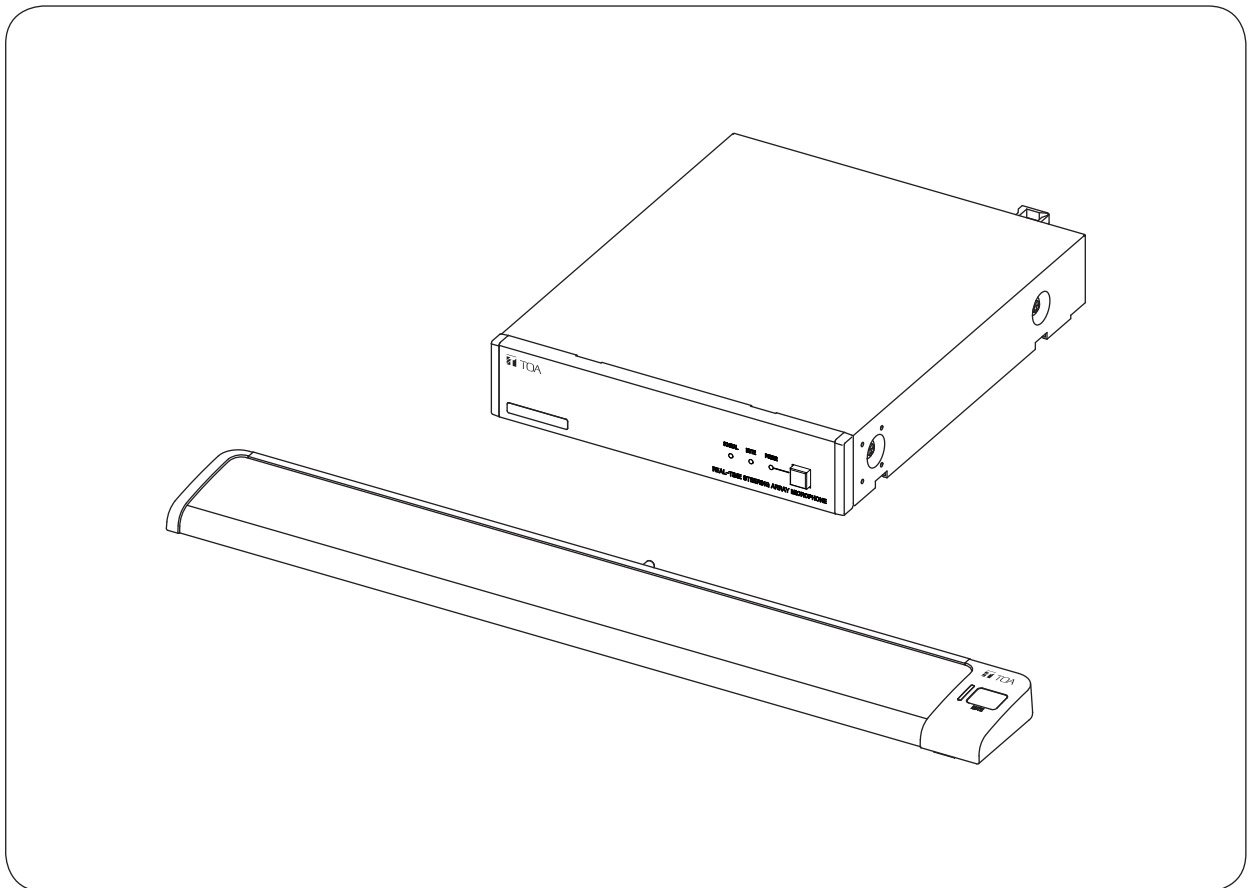
装卸式接线插头 (3P) 1

• 另购配件

机架安装配件 : MB-15B-BK
(1台控制单元安装于机架)
MB-15B-J
(2台控制单元连接安装于机架)
墙上安装配件 : YC-850 (控制单元)

URL: <https://www.toa.jp/>

即時指向切換陣列式麥克風

AM-1B
AM-1W

感謝您購買TOA即時指向切換陣列式麥克風。
請詳細閱讀並遵守本操作說明書的指示說明，以確保能正確且長久地使用本機器。

目錄

1. 安全須知	47
2. 操作說明書的構成	48
3. 概要	48
4. 特長	49
5. 使用注意事項	49
6. 各部名稱及功能	49
6.1. 陣列式麥克風	49
6.2. 控制單元	50
7. 連接方法	51
7.1. 系統範例	51
7.2. 連接電源供應器	51
7.3. 連接網路	52
7.4. 連接可拆卸式端子頭	52
8. 控制單元的設置	53
8.1. 安裝於機櫃上時	53
8.2. 安裝於牆壁上時	54
9. 機器設定	55
9.1. 音聲輸出的切換	55
9.2. 音質設定	55
10. 系統設定	56
10.1. 系統設定概要	56
10.2. 系統需求	56
10.3. 從網頁瀏覽器進行設定	57
11. 啟動測試模式的方法	62
12. 故障排除	64
13. 規格	65
附屬品	65
另購品	65

※ Windows和Internet Explorer是美國Microsoft Corporation在美國及其他國家的註冊商標。

※ Google Chrome是Google Inc.的商標。

※ 其他公司名稱及產品名稱為各公司的商標。

1. 安全須知

- 使用前請詳細閱讀此安全須知。
- 請務必嚴守本操作說明書所記載之安全符號及重要警告。
- 建議您保留本操作說明書，以作日後參考之用。

關於標示

為了能安全且正確地使用產品，預防疏失所造成各人及他人的危險與財產損失，於此記載相關注意事項，請務必事先詳讀內容。



警告

此標誌表示若操作不當時，有發生死亡或是嚴重人身傷害的潛在危險性。



注意

這個標誌表示若操作不當時，有發生輕微或是無生命危險的人身傷害，和/或是財產損害之潛在危險性。



警告

設置 安裝時

- 請勿被水浸濕
請勿將機器放入水中、或是暴露在可能被水浸濕的環境中。
否則可能會引發火災或觸電。
- 請勿使用非指定之電源電壓
請勿使用超過機器規格所標示之電源電壓。
否則可能會引發火災或觸電。
- 請勿破壞電源線
請勿破壞電源線、或是自行改造、靠近發熱物體、以及在電源線上放置重物等。
否則可能會引發火災或觸電。
- 請勿放置於不平穩的地方
請勿放置在搖晃的台座或傾斜的地方。
否則可能會導致機器滑落、傾倒而引發人員的傷害。
- 請勿設置於戶外場所
本機器為室內專用之產品。
如暴露於可能被雨水淋濕的場所，可能會導致觸電。
- 請勿使用非指定的設置方式
請確實遵守指定的設置方式進行安裝。否則可能因施力的不平衡，導致機器掉落而引發人員的傷害。
- 請務必使用指定的組裝用品
請務必使用指定的機櫃安裝支架。
如使用非指定的組裝用品，可能會導致機器掉落而引發人員的傷害。

使用時

- 萬一發生異常時
如有下列情形發生，請將電源關閉後拔除插頭，並盡快與購買服務處取得聯繫。
持續使用可能會引發火災或觸電。
 - 有冒煙、或有異味產生時。
 - 機器內部有水或異物進入時。
 - 機器掉落、或外殼有破損時。
 - 電源線有損壞時（內芯外露、斷裂等）。
 - 機器無聲音時。
- 請勿自行拆開、改造
因機器內部含有高電壓之電子部品，請勿拆除外殼或改造。
否則可能會引發火災或觸電。
如需維修請與購買服務處取得聯繫。
- 請勿將裝有液體的容器或細小的金屬零件置於機器上
如不慎打翻、掉至內部等，可能會引發火災或觸電。

⚠ 注意

設置 安裝時

- 請勿以潮濕的手觸碰電源插頭
請勿以潮濕的手插拔電源插頭。
否則可能會導致觸電。
- 請勿拉扯電源線
插除電源插頭時，切勿拉扯電源線。如未遵循，可能造成電源線受損而引發火災或觸電。
請務必握持電源插頭部位拔除。
- 移動機器時請拔除電源插頭
如於電源插頭插著的情況下移動機器，可能造成電源線受損而引發火災或觸電。
- 請勿置於潮濕或多灰塵等場所
請勿將機器放置在潮濕、灰塵多、太陽光直射、發熱器具旁、油煙或熱氣直撲等場所。
如未遵循，可能會引發火災或觸電。

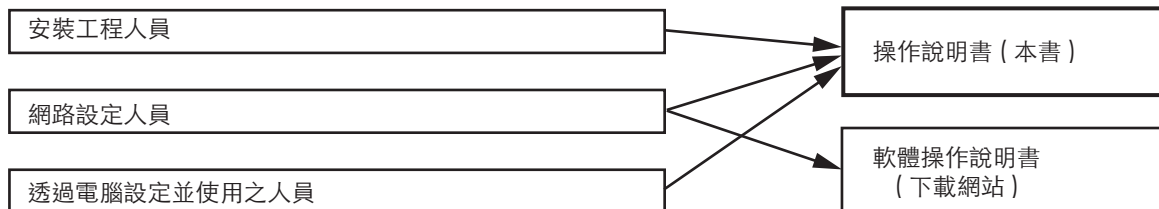
- 安裝在機櫃上時請注意
請務必遵守下列事項。
如未遵循，可能會引發火災或人身傷害。
- 請將機櫃安置於平穩的地方，並用錨栓等固定住以防機櫃翻倒或位移。
- 將電源線連接至插座時，請勿超過插座的容許電流值。
- 機櫃安裝支架所附屬的支架螺絲為本公司機櫃專用。請勿使用於其他機櫃。

使用時

- 請使用符合規定的AC電源供應器
使用非規定的AC電源供應器可能因安全疑慮造成火災。
- 請定期清理電源插頭與插座
請務必定期清理插頭與插座。如未遵循，可能因灰塵長久累積而引發火災。
又，請確實將插頭插緊至底部。
- 機器整備中、長時間不使用時請注意
機器整備中、長時間不使用時為了安全起見，請務必將電源關閉，並將電源插頭拔除。
如未遵循，可能會引發火災或觸電。

2. 操作說明書的構成

本機器的操作說明書分為兩種，請依目的閱讀所需之說明書。



※ 軟體操作說明書請從TOA DATA LIBRARY網站 (<https://www.toa-products.com/international/>) 下載最新版。

3. 概要

透過獨自的演算法檢測音源位置並控制指向性，有效率地針對目標收音的高性能即時指向切換陣列式麥克風。

本機器由陣列麥克風與控制單元構成。陣列式麥克風有黑色的AM-1B或白色的AM-1W可選擇。

4. 特長

- 陣列式麥克風由8個麥克風單體組成，以水平50°角之窄指向角實現陣列效果。
- 透過獨自的演算法檢測音源位置，自動且即時地控制陣列式麥克風指向性，有效率地針對目標收音。
- 可透過電腦的網頁瀏覽器執行功能設定。
- 可陣列式麥克風上的靜音開關切換靜音。

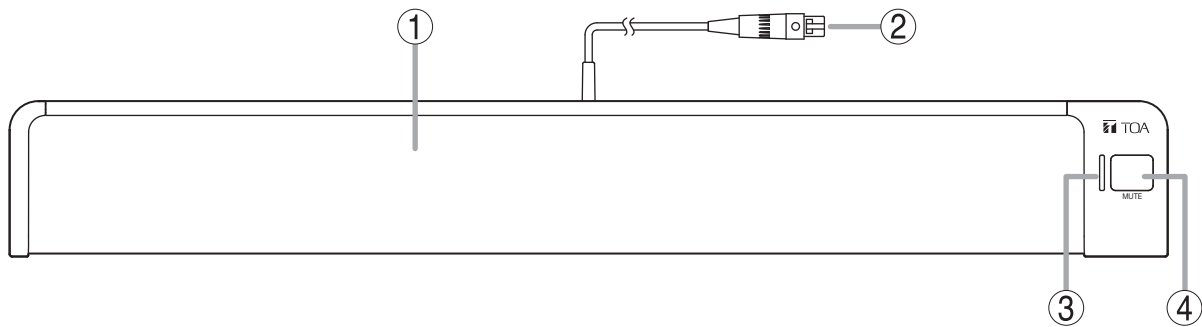
5. 使用注意事項

- 請勿將手或文具等障礙物遮蓋住陣列式麥克風，否則會影響到收音效果。
- 安裝於機櫃時，功率放大器周邊溫度可能超過正常使用溫度。請設置在遠離功率放大器之處。
- 請勿摔落至地板、或與堅硬物體碰撞。否則可能造成產品故障。
- 本機器動作中請勿在近處使用手機，否則可能有雜訊出現。
- 清理機器時，請務必將電源關閉後，以乾布擦拭即可。如遇到較難擦拭的污垢時，請先用沾滿稀釋過的中性清潔劑之抹布擦拭後，再用乾布擦拭一次。請勿使用含有揮發劑 稀釋劑 酒精等物質之產品或化學抹布擦拭，有可能造成變形或脫色。

6. 各部名稱及功能

6.1. 陣列式麥克風

[上視圖]



1. 麥克風部

內藏8個麥克風單體。

注意

為了充分發揮機器性能，請勿將手或其他物品等障礙物遮蓋住麥克風部。

2. 麥克風纜線(TA-3端子)

連接至控制單元的麥克風輸入端子

3. 麥克風狀態指示燈(綠/紅)

陣列式麥克風連接至控制單元時，顯示麥克風狀態。

電源ON時 : 亮燈(綠色)

電源OFF時 : 無亮燈

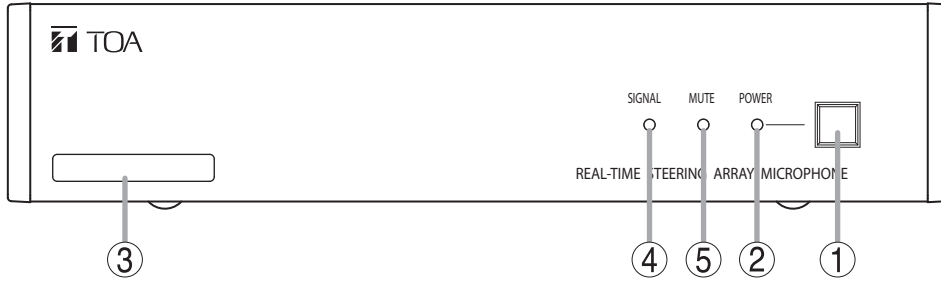
麥克風靜音時 : 亮燈(紅色)

4. 靜音開關[MUTE]

可將陣列式麥克風輸入的音聲靜音。

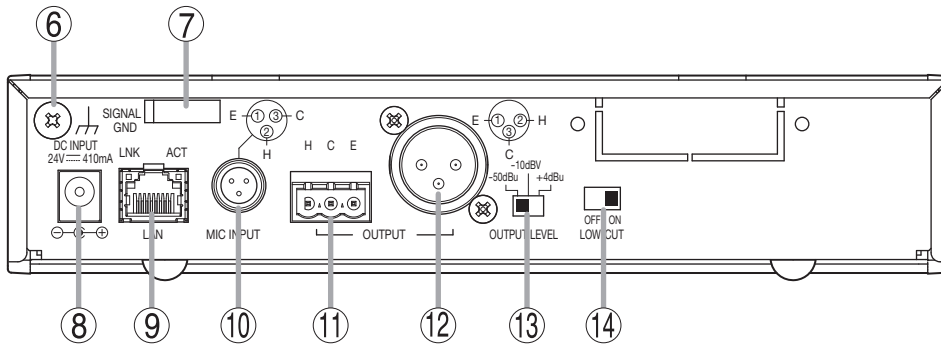
6.2. 控制單元

[前視圖]



1. 電源開關
按押後開啟電源，再按一次則關閉電源。
2. 電源指示燈[POWER] (藍色)
電源開啟時亮燈。
3. MAC位址
標示本機器的MAC位址。
以 - (連字號) 區分的12位英數字。
4. 信號指示燈[SIGNAL] (綠色)
音聲信號輸出時亮燈。如靜音中則不亮燈。
5. 靜音指示燈[MUTE] (紅色)
音聲輸出靜音時亮燈。

[後視圖]

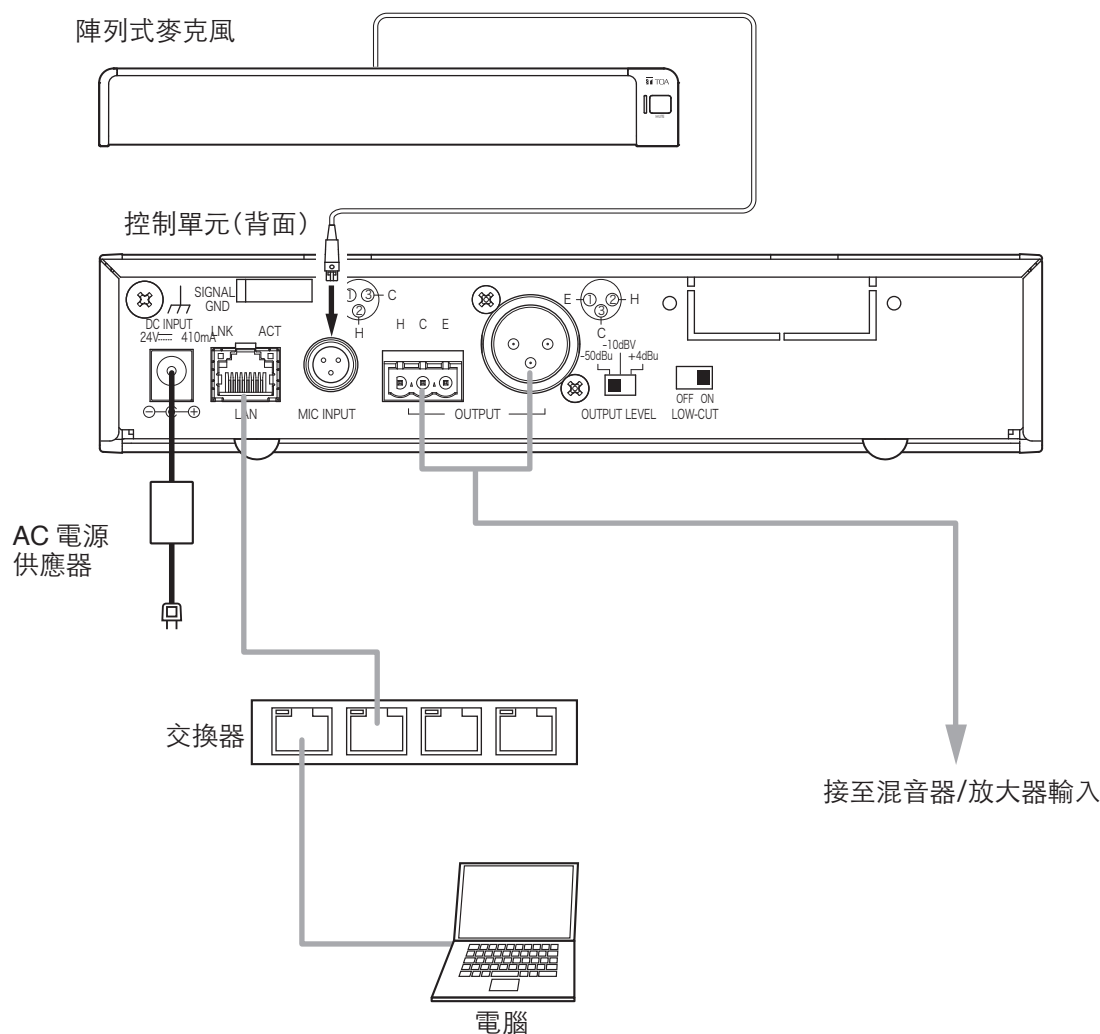


6. 功能接地端子[SIGNAL GND]
當本機器連接至其他外部機器出現雜訊過大時，將此端子與外部機器的功能接地端子相接，可減少雜訊。
※ 此非安全接地用。
7. 纜線固定夾
固定住纜線以防止電源供應器接頭鬆落。
8. 電源輸入端子[DC INPUT]
連接規定的AC電源供應器。
適用DC電源插頭：外徑5.5mm，內徑2.1mm，長度9.5mm，中心為正極。
9. 網路連接端子[LAN] (RJ45端子)
支援連接至10BASE-T/100BASE-TX的網路


LNK LED：連接至網路時亮燈。
ACT LED：通信中亮燈。
10. 麥克風輸入端子[MIC INPUT](TA-3端子)
連接陣列式麥克風的輸出纜線。請勿連接其他機器。
11. 音聲輸出端子[OUTPUT](可拆卸式端子)
連接至混音器、放大器的音聲輸入端子。
H：熱、C：冷、E：接地(屏蔽)
12. 音聲輸出端子[OUTPUT](XLR-3-32端子)
連接至混音器、放大器的音聲輸入端子。
13. 輸出電平切換開關[OUTPUT LEVEL]
切換音聲的輸出電平。
切換電平：-50 dB^{*1} / -10 dB^{*2} / +4 dB^{*1}
^{*1} 0 dB = 0.775 V
^{*2} 0 dB = 1 V
14. 低頻截止開關[LOW-CUT]
如感到音聲低頻不足時，可關閉此開關。

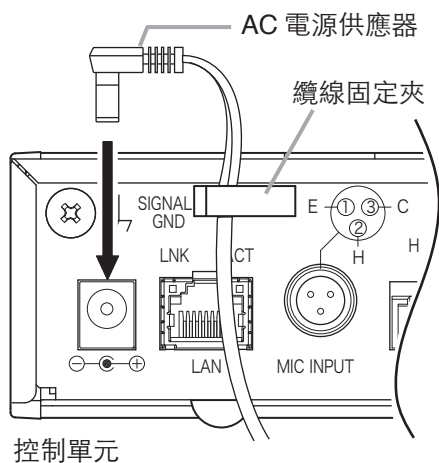
7. 連接方法

7.1. 系統範例



7.2. 連接電源供應器

將規定的AC電源供應器。連接至控制單元的電源輸入端子。
用纜線固定夾固定。

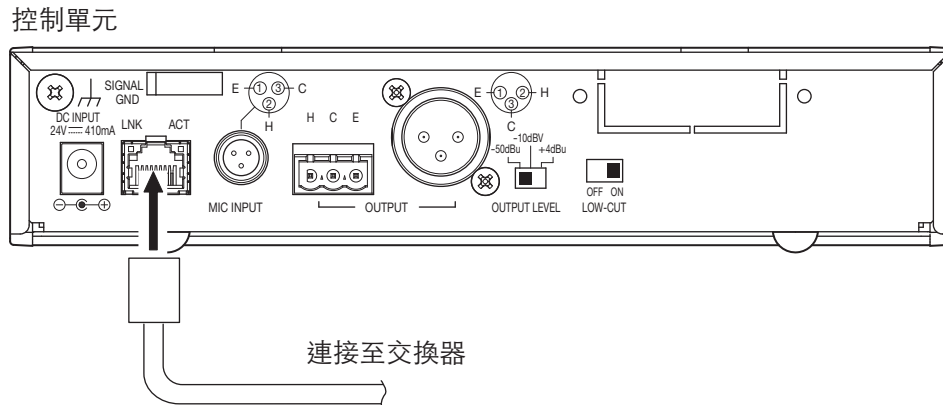


注意

請使用符合規定的AC電源供應器。
使用非規定的AC電源供應器可能因安全疑慮造成火災。

7.3. 連接網路

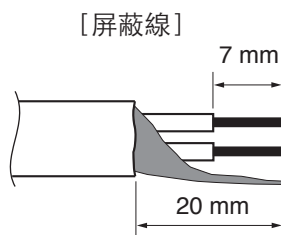
控制單元可自動辨識並連接10BASE-T/100BASE-TX的網路。
請使用符合UTP CAT-5規格以上的RJ45網路線。



7.4. 連接可拆卸式端子頭

使用附屬的可拆卸式端子連接音聲輸出端子時應注意下列事項。

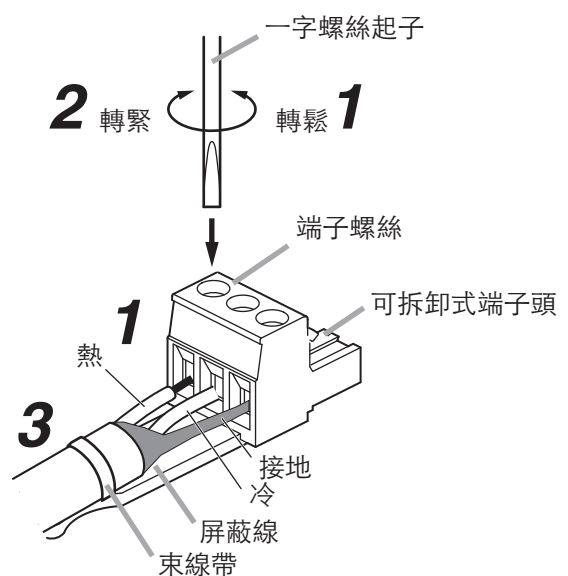
- 請務必使用屏蔽線。
- 請勿於電線裸露處焊接。
當於整線束線時，可能因外力拉扯造成焊錫破碎，接觸電阻變大，導致連接處溫度異常升高。
- 請使用符合AWG12~24的電線。
- 電線裸露長度如下。



7.4.1. 端子頭連接步驟

- 步驟1. 轉鬆端子螺絲，將電線插入。
- 步驟2. 轉緊端子螺絲固定電線。
※ 輕拉電線確認不會脫落。
- 步驟3. 用束線帶將電線與端子頭固定住，確保電線不會脫落。
- 步驟4. 將端子頭插入音聲輸出端子。

備註
建議的一字螺絲起子：刀頭寬度為3mm左右的螺絲起子



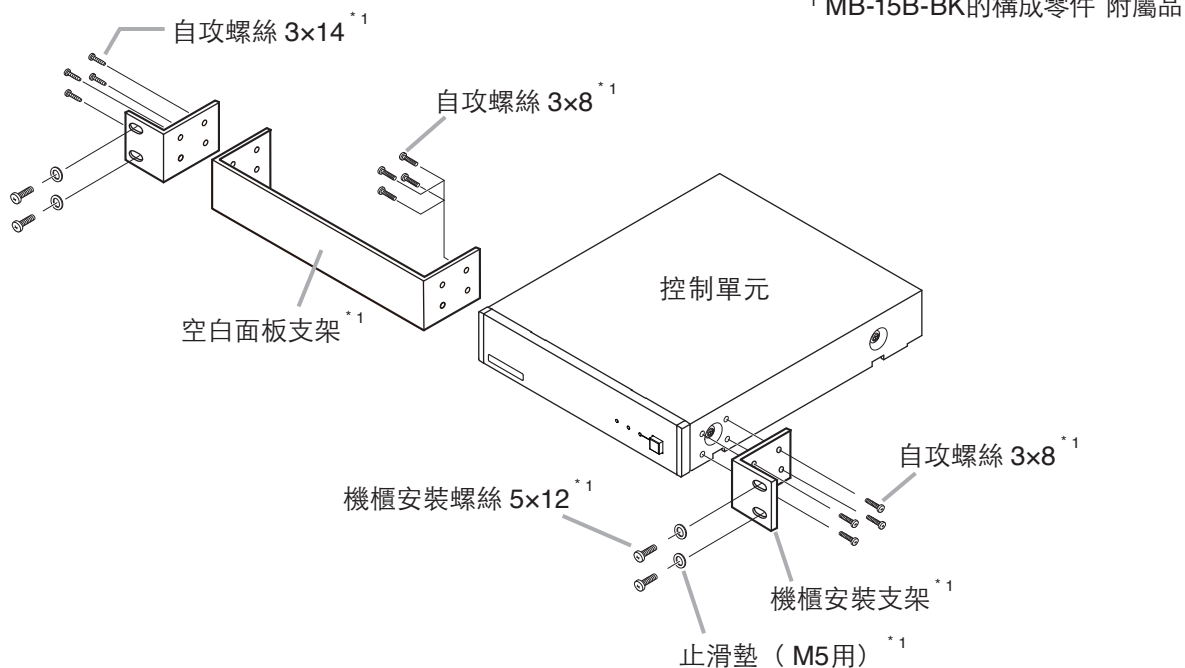
8. 控制單元的設置

8.1. 安裝於機櫃上時

- 安裝於機櫃上時需使用另購的機櫃安裝支架。
- 安裝於機櫃上時，需先將底下的4個橡膠墊拆下。

8.1.1. 安裝 1 台於機櫃時

安裝1台於機櫃時，請使用MB-15B-BK機櫃安裝支架(另購品)。

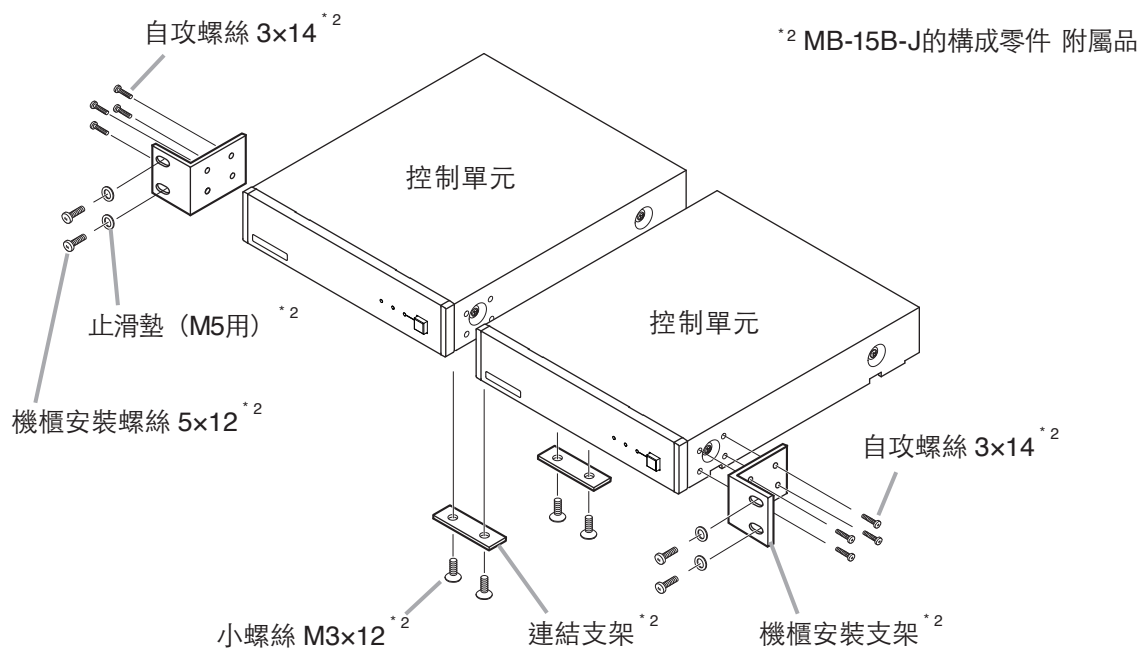


8.1.2. 安裝 2 台於機櫃時

安裝2台於機櫃時，請使用MB-15B-J機櫃安裝支架(另購品)。

注意

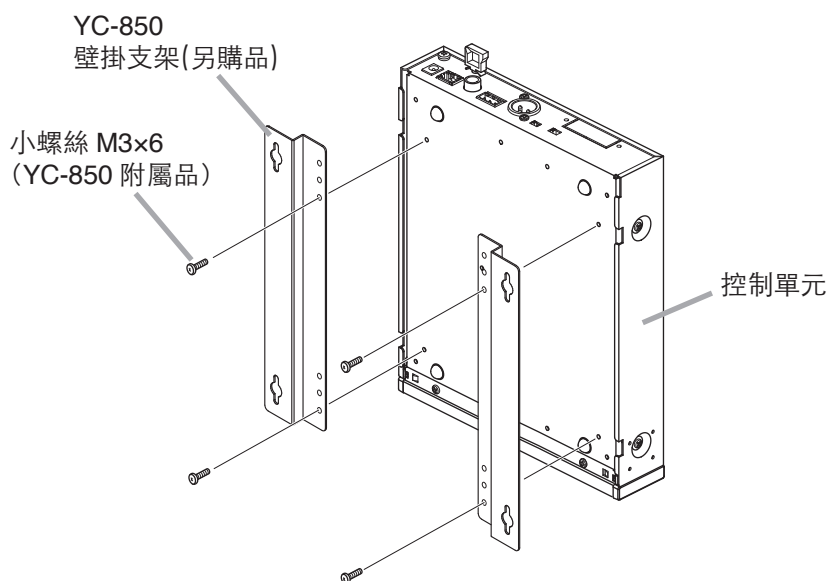
請勿用MB-15B-J將控制單元與其他設備連結安裝於機櫃上。



8.2. 安裝於牆壁上時

安裝於牆壁上時，請使用YC-850壁掛支架(另購品)。

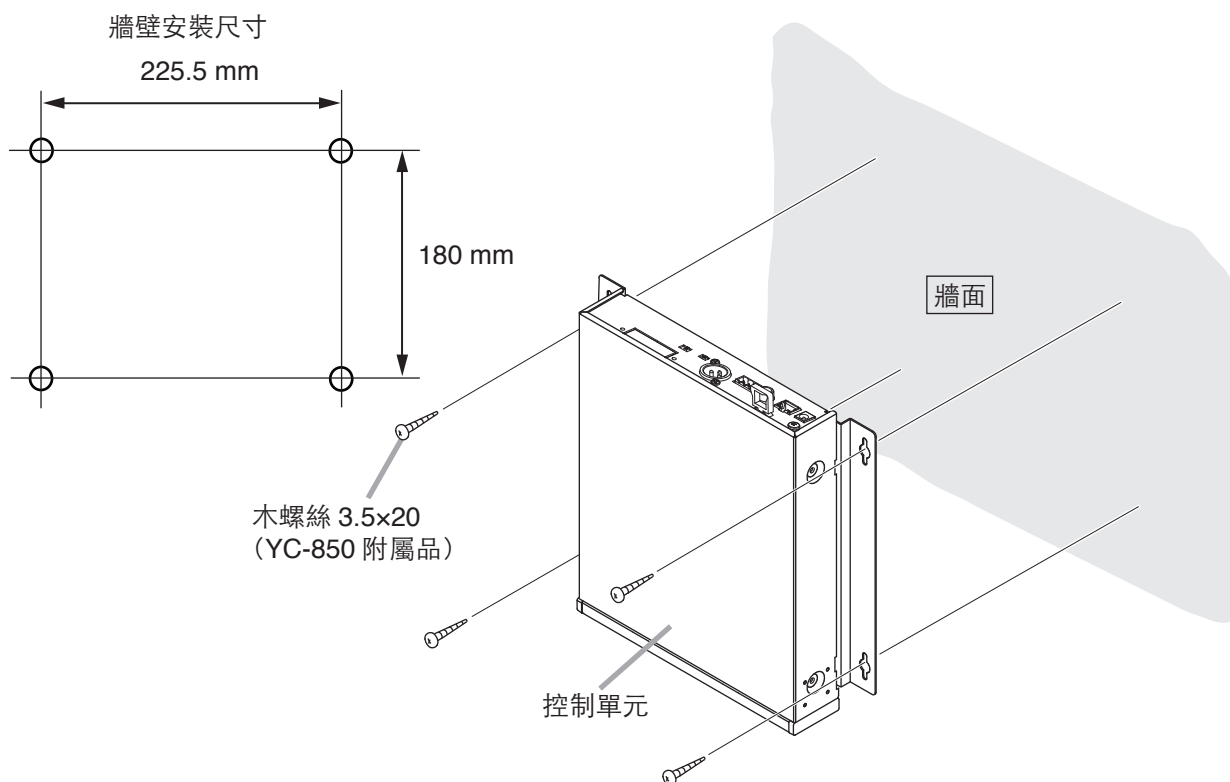
步驟1. 將YC-850壁掛支架(另購品)安裝於控制單元上。



步驟2. 將控制單元安裝至牆壁上。

注意

- 請依照牆壁材質選擇合適的螺絲。
- YC-850壁掛支架(另購品)附有木螺絲3.5×20。
- 為了避免電源插頭脫落，請勿將AC電源供應器懸空放置。

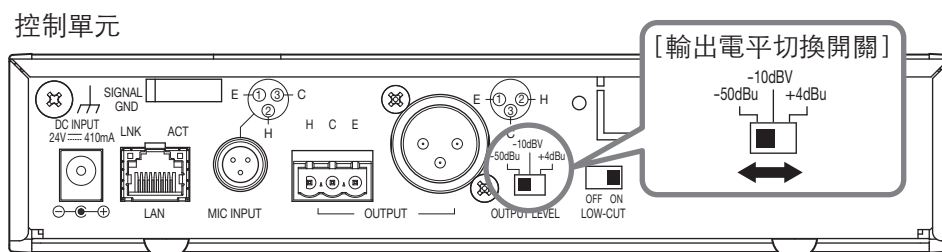


9. 機器設定

9.1. 音聲輸出的切換

步驟1. 確認機器所有的電線與端子已正確連接。

步驟2. 依照所連接的混音器、放大器切換合適的輸出電平。



※ 圖示中為出廠預設值。

步驟3. 將控制單元的電源開啟。

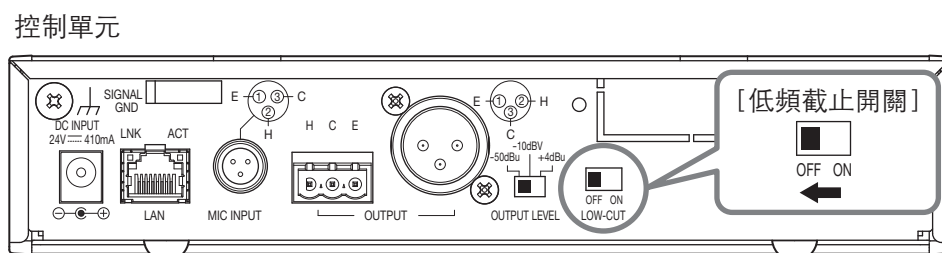
9.2. 音質設定

注意

在“Output Mode”中的“陣列模式”可以設定音質; 在“心型模式”中則不能設定音質。關於“Output Mode”請參考 第60頁“麥克風設定2”。

透過切換低頻截止開關可調整音聲輸出低頻的有無。

出廠預設值為“ON”，如感到音聲低頻不足時，可將此開關切至“OFF”。



10. 系統設定

10.1. 系統設定概要

可透過電腦的網路瀏覽器進行功能設定與控制。

[功能設定]

- 設定追蹤範圍：水平角度和距離
- 檢測靈敏度
- 追蹤速度
- 自動音量修正：功能ON/OFF、有效距離
- 靜音開關的ON/OFF
- 儲存設定內容

[控制]

- 調整輸出音聲電平
- 讀取預設儲存值

10.2. 系統需求

已確認的動作環境如下。

- OS : Windows 10 Pro (64 bit)
- 網頁瀏覽器 : Google Chrome (Version 56.0.2924.87)
Internet Explorer 10 (Version 10.0.9200.17609)

10.3. 從網頁瀏覽器進行設定

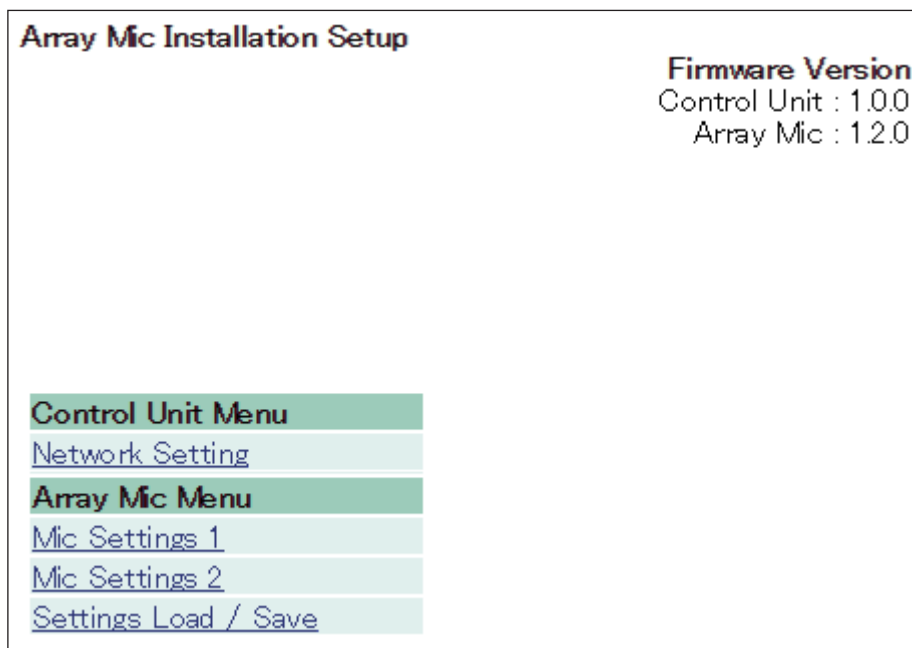
10.3.1. 概要

透過電腦的網頁瀏覽器與AM-1控制單元連線，進行陣列式麥克風的功能設定。

10.3.2. 選單畫面

開啟網頁瀏覽器，於位址欄輸入控制單元的IP位址*按下確認後，畫面跳轉至AM-1選單畫面。

* 出場預設值為192.168.1.14。



Network Setting : 網路設定
Mic Settings 1 : 麥克風設定1
Mic Settings 2 : 麥克風設定2
Settings Load/Save : 讀取或儲存設定值

10.3.3. 網路設定

點選選單畫面中的“Network Setting”。
設定控制單元的網路設定值。

Network Setting				
IP Address	192	168	1	14
Subnet Mask	255	255	255	0
Default Gateway	0	0	0	0
MAC Address	00:05:f9:ff:ff:ff			
ArrayMic Name	AM-1			
<input type="button" value="Save"/> <input type="button" value="Back to Menu"/>				

可編輯的項目如下列所示。

IP Address : 編輯IP位址。
Subnet Mask : 編輯子網域遮罩。
Default Gateway : 編輯預設閘道器。
MAC Address : 顯示機器MAC位址(無法更改)。
ArrayMic Name : 編輯陣列式麥克風名稱 (英文數字、符號, 最多16個半角字符)。

[按鈕操作]

Save : 將設定值儲存至內部記憶體“Default”中。
備註
更改網路設定值後, 請將控制單元重新開機。
控制單元重新啟動後, 開啟本畫面確認設定是否正確。

Back to Menu : 返回選單畫面。

10.3.4. 麥克風設定 1

點選選單畫面中的“Mic Settings 1”。
設定追蹤控制 (Tracking Control) 的麥克風參數。

Mic Settings 1

Tracking Control		Mic Parameters	
ON	<input checked="" type="radio"/>	Tracking Angle	-90 [deg] - 90 [deg]
		Tracking Distance	3.0 [m]
		Tracking Speed	10
		Tracking Sensitivity	-12 [dB]
OFF	<input type="radio"/>	Angle	0 [deg]
		Distance	1.0 [m]

[Tracking Control選項]

點選“ON”或“OFF”開啟或關閉。

ON : 自動追蹤音源。

OFF : 不自動追蹤音源。

[當Tracking Control為ON時麥克風的設定]

Tracking Angle : 編輯自動追蹤的角度範圍 (-90~90 [deg])

Tracking Distance : 編輯自動追蹤的距離 (0.5~3.0或∞ [m])

※ 3.1以上的數值做為∞處理，顯示15.0。

Tracking Speed : 可選擇1~100。數字越大追蹤速度越快。

Tracking Sensitivity : 編輯自動追蹤的靈敏度。輸入音聲電平在此數值以上時進行追蹤。
(-24~0 [dB])

[當Tracking Control為OFF時麥克風的設定]

Angle : 角度 (-90~90 [deg])

Distance : 距離 (0.0~2.0 [m])

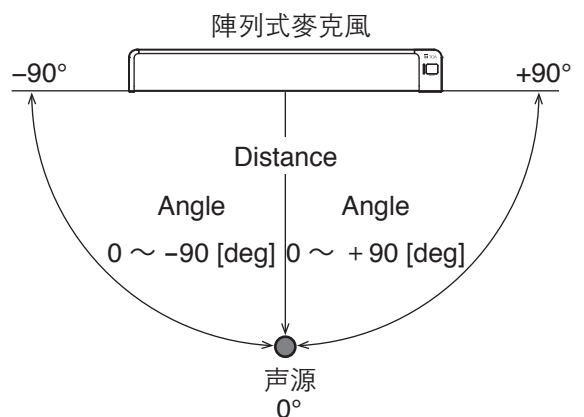
[按鈕操作]

Apply : 將設定值套用至陣列式麥克風。
此操作並不會儲存至內部記憶體。

Save : 將設定值儲存至內部記憶體
“Default”中。

Back to Menu : 返回選單畫面。

[關於Angle和Distance]



10.3.5. 麥克風設定 2

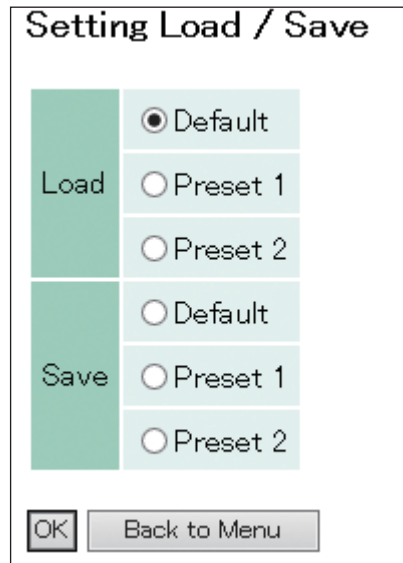
點選選單畫面中的“Mic Settings 2”。
設定追蹤控制 (Tracking Control) 以外的麥克風參數。

Mic Settings 2		
<input type="button" value="Apply"/>		
Output Mode		Array ▼
Output Level		0 [dB]
Auto Gain Control		OFF ▼
	Distance	0.5 [m]
Mute Button Control		ON ▼
<input type="button" value="Save"/> <input type="button" value="Back to Menu"/>		

- Output Mode** : 切換輸出為陣列模式 (Array) 或心形模式 (Cardioid)。
陣列模式: 作為檢測音源位置, 進行信號處理得以達到一定音量的陣列式麥克風模式。
心形模式: 作為單一指向性麥克風模式。
- Output Level** : 編輯音聲輸出電平。(-24~24 [dB])
- Auto Gain Control** : 設定自動電平修正功能。選擇“ON”開啟。
在Distance裡輸入有效範圍數值。Distance數值內的範圍為有效範圍 (與陣列式麥克風的距離)。(0.5~2.0 [m])
- Mute Button Control** : 設定陣列式麥克風靜音開關的開啟/關閉。選擇“ON”為開啟。
- [按鈕操作]
- Apply** : 將設定值套用至陣列式麥克風。
此操作並不會儲存至內部記憶體。
- Save** : 將設定值儲存至內部記憶體“Default”中。
- Back to Menu** : 返回選單畫面。

10.3.6. 讀取或儲存設定值

點選選單畫面中的“Settings Load/Save”。
執行讀取或儲存設定值。



- Load** : 讀取儲存於內部記憶體之設定值。
從“Default”、“Preset 1”、“Preset 2”選擇讀取位置。
- Save** : 將設定值儲存至內部記憶體。
從“Default”、“Preset 1”、“Preset 2”選擇儲存位置。
※ 控制單元電源重新啟動時，讀取最後加載或保存的預設數據。

[按鈕操作]

- OK** : 從選單按鈕選取位置讀取，或儲存至選單按鈕選取位置。
- Back to Menu** : 返回選單畫面。

[Default、Preset 1、Preset 2的初始值]

- Tracking Angle : -90°~90°
- Tracking Distance : 3.0 m
- Tracking Sensitivity : -12 dB
- Tracking Speed : 10
- Auto Gain Control : OFF
- Output Mode : Array
- Mute Button Control : ON
- Output Level : 0 dB

11. 啟動測試模式的方法



警告

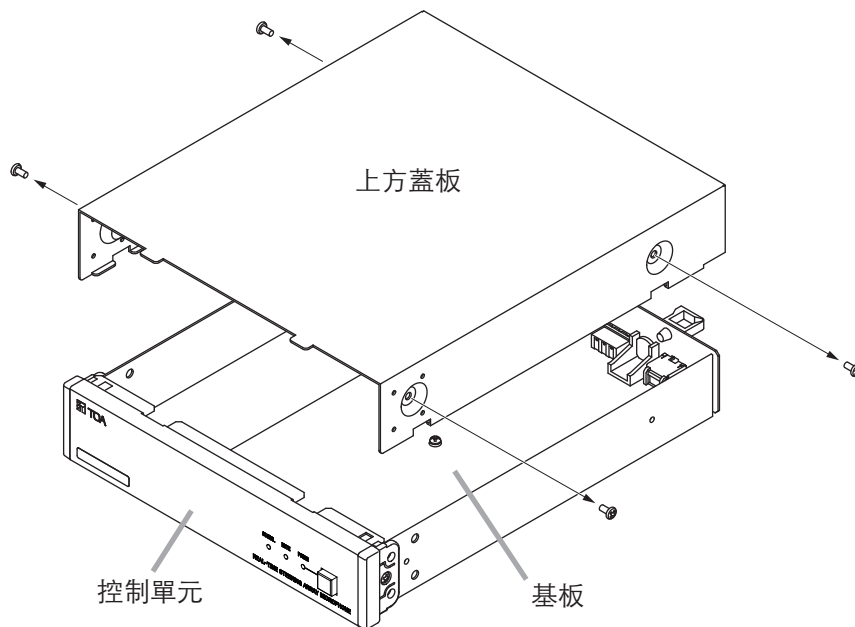
下列所述之操作應委託專業廠商執行。
使用者請勿自行拆開機殼、擅自改造等，否則可能會引發火災或觸電。

如果不知道IP位址，可透過測試模式將IP位址還原至出廠預設值。
請依下列步驟啟動測試模式。

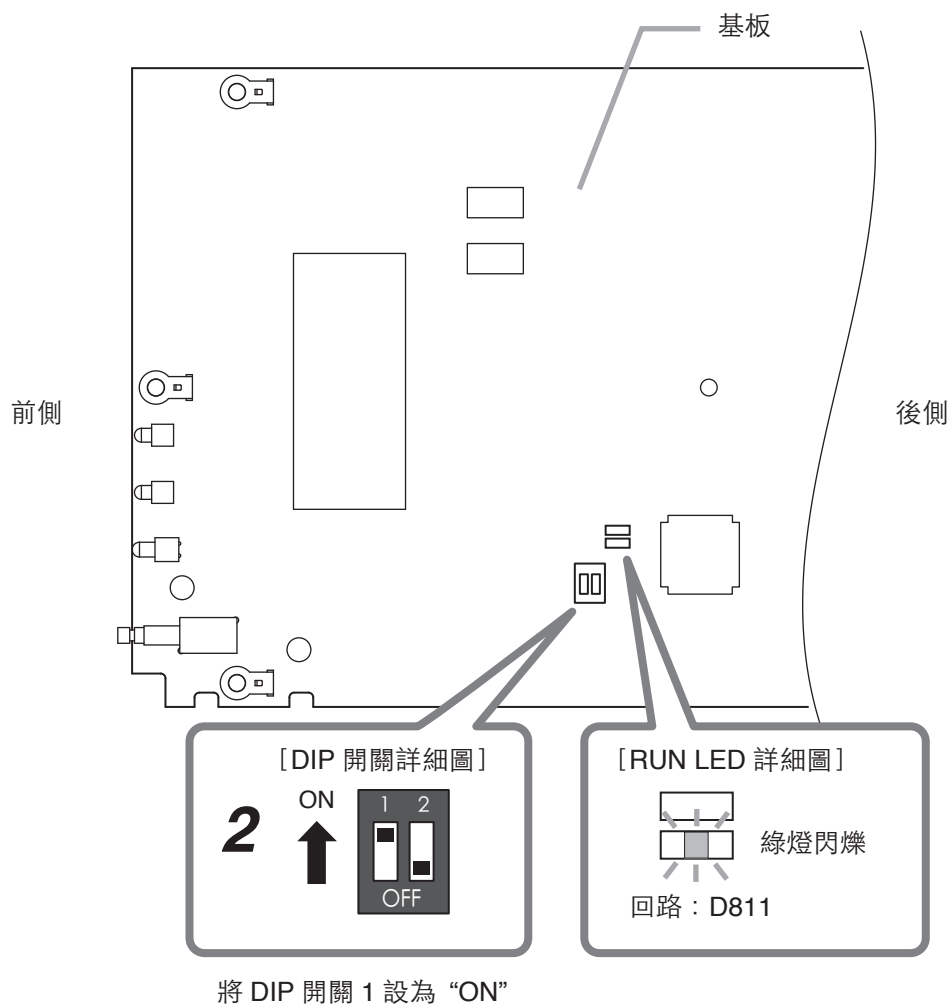
注意

- 此操作請先確認控制單元為關閉電源的狀態下後再執行。
- 請勿觸碰基板上的零件，否則可能因靜電造成機器故障。
- 之前所變更過的設定將全部還原至出廠預設值。

步驟1. 拆下固定控制單元上蓋的4個螺絲，取下上方蓋板。



步驟2. 將基板上的DIP開關1設為“ON”，開啟控制單元的電源。
下圖中的RUN LED顯示綠燈閃爍。



步驟3. 確認RUN LED顯示綠色閃爍後，關閉控制單元的電源。

步驟4. 將DIP開關1切回“OFF”。

步驟5. 依原步驟裝回上方蓋板。還原至出廠預設值。
從網頁瀏覽器進行設定後使用。(參考第57頁)

12. 故障排除

問題	可能原因	解決方法
音聲無法輸出。	系統未接上電源。	檢查確認控制單元、陣列式麥克風、交換器電源是否已開啟。
	系統之間的佈線存在問題。	檢查確認陣列式麥克風與控制單元是否正確連接。
		檢查確認控制單元與外部設備是否正確連接。
	處於靜音狀態。	檢查確認陣列式麥克風的麥克風狀態指示燈是否亮紅燈，控制單元的靜音指示燈是否亮燈。 如果將Tracking Control設定為“ON”，請檢查Tracking Sensitivity的設定值是否過大。 (參考第59頁“麥克風設定1”) 檢查確認外部設備音量是否調小了。
不自動追蹤音源。	追蹤位置不正確。	檢查確認Tracking Control是否設定為“ON”。 (參考第59頁“麥克風設定1”) 檢查是否是在音源檢測範圍內。
		檢查確認Tracking Sensitivity的設定值是否過大。 (參考第59頁“麥克風設定1”) 檢查確認Output Mode是否為“Cardioid”。 (參考第60頁“麥克風設定2”)
無法從電腦連接系統。	系統未接上電源。	檢查確認控制單元、陣列式麥克風、交換器電源是否已開啟。
	IP地址錯誤。	檢查確認控制單元的IP位址。 如果不知道控制單元的IP位址，可執行測試模式後回復為出廠預設值192.168.1.14。 (參考第62頁“啟動測試模式的方法”) 關於測試模式的啟動方式，請聯絡TOA購買服務處。
	系統之間的佈線存在問題。	檢查確認陣列式麥克風與控制單元是否正確連接。
檢查確認控制單元與交換器是否正確連接。		
APP程式當掉無法操作。	網路環境不穩定。	檢查確認控制單元與交換器、陣列式麥克風是否正確連接。
		檢查確認系統的電源。

13. 規格

型號	AM-1B	AM-1W	
組成部品	陣列式麥克風... 1、控制單元 ... 1		
陣列式麥克風	電源	DC24 V (由控制單元供電)	
	麥克風單體	單一指向性電子電容式	
	指向角	水平：50° (800Hz~18kHz, 陣列模式)、180° (心形模式) 垂直：90°	
	頻率響應	150 Hz~18 kHz	
	最大輸入音壓	100 dB SPL	
	操作開關	靜音開關	
	指示燈	麥克風狀態指示燈 (輸出: 綠色, 靜音: 紅色)	
	輸出線	屏蔽雙絞線 10 m, 附TA-3同等品	
	最大延長距離	70 m (使用AES/EBU電線)	
	外觀	本體、沖孔金屬板：表面處理鋼板， 黑色，3分光澤 兩側蓋板：ABS樹脂，黑色	本體、沖孔金屬板：表面處理鋼板，白色 (RAL9016近似色)， 3分光澤 兩側蓋板：ABS樹脂，白色 (RAL9016近似色)
	尺寸	483.9 (W) × 22.1 (H) × 64.9 (D) mm (不含輸出線)	
	重量	1.2 kg	
控制單元	電源	DC24 V (由另購的電源供應器供給)， 適用的DC電源插頭：外徑5.5mm，內徑2.1mm，長度9.5mm，中心為正極。	
	消耗電流	410 mA以下	
	S/N比	90 dB以上	
	輸入	TA-3同等品 (陣列式麥克風專用)	
	輸出	XLR-3-32同等品，可拆卸式端子 (3P)	
	網路	網路I/F：10BASE-T/100BASE-TX、RJ45 通訊協定：TCP/IP、HTTP	
	調整開關	輸出電平切換 (+4 dB ^{*1} 、-10 dB ^{*2} 、-50 dB ^{*1})、 低頻截止(Low-Cut) ON/OFF	
	操作開關	電源開關	
	指示燈	電源指示燈 (藍色)、靜音指示燈 (紅色)、信號指示燈 (綠色)	
	外觀	預塗鋼板，黑色，3分光澤	
	尺寸	210 (W) × 45.7 (H) × 271.5 (D) mm	
重量	1.5 kg		
專用軟體	電腦網頁瀏覽器 (追蹤距離/範圍、靈敏度/速度、靜音ON/OFF的設定)		
工作溫度	0~+40°C		
工作溼度	90%RH以下 (不結露)		

*1 0 dB = 0.775 V

*2 0 dB = 1 V

※ 本機器規格和外觀如有變更，恕不另行通知。

• 附屬品

可拆卸式端子 (3P) 1

• 另購品

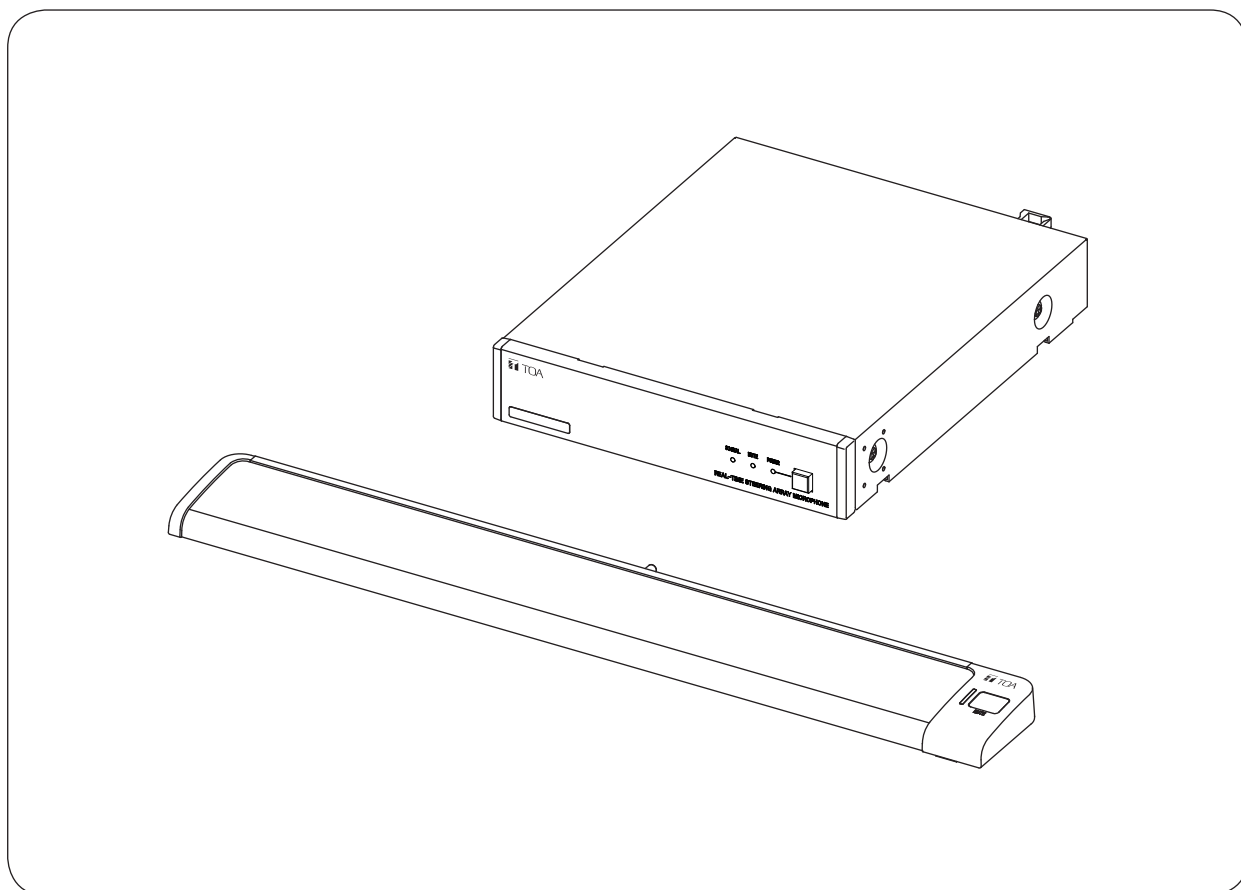
機櫃安裝支架：MB-15B-BK (安裝1台控制單元於機櫃)
MB-15B-J (2台控制單元連結安裝於機櫃)
壁掛支架：YC-850 (控制單元)

URL: <https://www.toa.jp/>

リアルタイム ステアリング アレイマイク

AM-1B

AM-1W



このたびは、TOA リアルタイム ステアリング アレイマイクをお買い上げいただき、まことにありがとうございます。正しくご使用いただくために、必ずこの取扱説明書をお読みにになり、末長くご愛用くださいますようお願い申し上げます。

目 次

安全上のご注意	68
取扱説明書の構成	71
概 要	71
特 長	71
使用上のご注意	72
各部の名称とはたらき	72
アレイマイク	72
コントロールユニット	73
接続のしかた	74
システム例	74
AC アダプターの接続	74
ネットワークの接続	75
着脱式ターミナルプラグの接続	75
コントロールユニットの設置のしかた	76
ラックに取り付けるとき	76
壁に取り付けるとき	77
機器の設定	78
音声出力の切り換え	78
音質の設定	78
システム設定	79
システム設定概要	79
システム要件	79
Web ブラウザーからの設定	80
テストモードでの起動のしかた	85
故障かな？と思ったら	87
仕 様	89

※ Windows、Internet Explorer は米国 Microsoft Corporation の米国およびその他の国における登録商標です。

※ Google Chrome は Google Inc. の商標です。

※ その他の会社名および製品名も各社の商標です。

安全上のご注意

- ご使用前に、この欄を必ずお読みになり正しくお使いください。
- ここに示した注意事項は、安全に関する重大な内容を記載していますので、必ず守ってください。
- お読みになったあとは、いつでも見られる所に必ず保管してください。

表示について

ここでは、製品を安全に正しくお使いいただき、あなたや他の人々への危害や財産への損害を未然に防止するために、いろいろな表示をしています。内容をよく理解してから本文をお読みください。

図記号について

行為を禁止する記号			行為を強制する記号	
				
分解禁止	禁止	接触禁止	強制	電源プラグを抜く



警告

誤った取り扱いをすると、人が死亡または重傷を負う可能性が想定される内容を示しています。

設置・据付をするとき

水にぬらさない

本機に水が入ったりしないよう、また、ぬらさないようにご注意ください。
火災・感電の原因となります。



禁止

指定外の電源電圧で使用しない

表示された電源電圧を超えた電圧で使用しないでください。
火災・感電の原因となります。



禁止

電源コードを傷つけない

電源コードを傷つけたり、加工したり、熱器具に近づけたりしないでください。
また、コードの上に重いものをのせないでください。
火災・感電の原因となります。



禁止

不安定な場所に置かない

ぐらついた台の上や傾いた所など不安定な場所に置かないでください。
落ちたり、倒れたりして、けがの原因となります。



禁止

屋外で使用しない

本機は、屋内専用品です。
屋外で使用して雨などがかかると、感電の原因となります。



禁止

指定方法以外の取り付けかたをしない

指定の取付方法を守らないと、無理な力がかかり、落下して、けがの原因となります。



禁止

組み合わせは指定のものを使用する

ラックマウント金具は指定のものを使用してください。
指定以外の組み合わせで使用すると、落下して、けがの原因となります。



強制



警告

誤った取り扱いをすると、人が死亡または重傷を負う可能性が想定される内容を示しています。

使用するとき

万一、異常が起きたら

次の場合、電源スイッチを切り、電源プラグを抜いて販売店にご連絡ください。そのまま使用すると、火災・感電の原因となります。

- 煙が出ている、変なにおいがするとき
- 内部に水や異物が入ったとき
- 落としたり、ケースを破損したとき
- 電源コードが傷んだとき(心線の露出、断線など)
- 音が出ないとき



強制

内部を開けない、改造しない

内部には電圧の高い部分があり、ケースを開けたり、改造したりすると、火災・感電の原因となります。

内部を開けての作業は、専門業者にご依頼ください。



分解禁止

液体の入った容器や小さな金属物を上に置かない

こぼれたり、中に入った場合、火災・感電の原因となります。



禁止



注意

誤った取り扱いをすると、人が軽傷を負う可能性が想定される内容および物的損害のみの発生が想定される内容を示しています。

設置・据付をするとき

ぬれた手で AC アダプターの電源プラグをさわらない

ぬれた手で AC アダプターの電源プラグを抜き差ししないでください。感電の原因となることがあります。



禁止

電源コードを引っ張らない

AC アダプターの電源プラグを抜くときは、電源コードを引っ張らないでください。コードが傷つき、火災・感電の原因となることがあります。

必ずプラグを持って抜いてください。



禁止

移動させるときは AC アダプターの電源プラグを抜く

差し込んだまま移動させるとコードが傷つき、火災・感電の原因となることがあります。



電源プラグを抜け

湿気やほこりの多い場所などに置かない

湿気やほこりの多い場所、直射日光のあたる場所や熱器具の近く、油煙や湯気のあたるような場所に置かないでください。

火災・感電の原因となることがあります。



禁止



注意

誤った取り扱いをすると、人が軽傷を負う可能性が想定される内容および物的損害のみの発生が想定される内容を示しています。

設置・据付をするとき

ラックに取り付けるときの注意

次のことを必ずお守りください。

守らないと、火災・けがの原因となることがあります。

- ラックは安定したところに据え付け、アンカーボルトなどで転倒・移動防止の処置を行うこと。
- 電源コードをコンセントに接続するときは、コンセントの許容電流を超えないこと。
- ラックマウント金具に付属のラック取付ねじは、当社のラック専用です。他のラックには使用しないでください。



強制

使用するとき

ACアダプターは指定のものを使用する

指定以外のものを使用すると、火災の原因となることがあります。



強制

電源プラグやコンセント部の掃除をする

電源プラグを差してあるコンセント部にほこりがたまると、火災の原因となることがあります。定期的にコンセント部の掃除をしてください。

また、電源プラグは根元まで差し込んでください。



強制

お手入れの際、長期間使用しない場合の注意

お手入れのときや長期間本機をご使用にならないときは、安全のため電源スイッチを切り、電源プラグをコンセントから抜いてください。

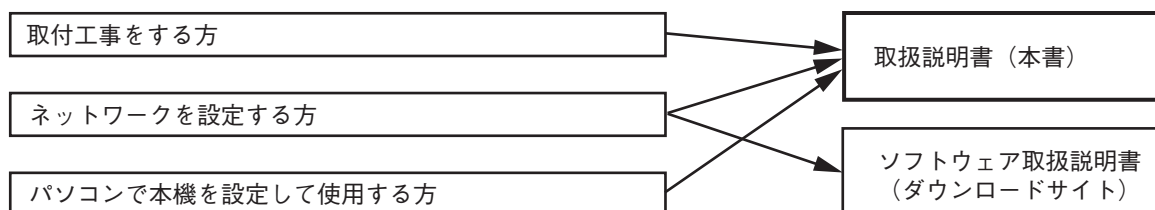
守らないと、感電・火災の原因となることがあります。



電源プラグを抜く

取扱説明書の構成

本機の取扱説明書は、2種類に分かれています。目的に応じて必要な説明書をお読みください。



※ ソフトウェア取扱説明書は、TOA 商品データダウンロードサイト (<https://www.toa-products.com/>) から最新のをダウンロードしてお使いください。

概要

独自のアルゴリズムにより音源の位置を検知し指向性を制御することで、狙った音を効率的に集音できる高性能のリアルタイム ステアリング アレイマイクです。

アレイマイクとコントロールユニットで構成されています。アレイマイクが黒色の AM-1B と白色の AM-1W があります。

特長

- アレイマイクは8つのマイクエレメントにより構成され、水平角 50° という狭い指向角でアレイ効果を実現しています。
- 独自のアルゴリズムにより音源の位置を検知し、狙った音を効率的に集音できるようにアレイマイクの指向性を自動的かつリアルタイムに制御します。
- パソコンのブラウザ経由で機能設定を行うことができます。
- アレイマイクに搭載されたミュートスイッチから、アレイマイクのミュート操作が行えます。

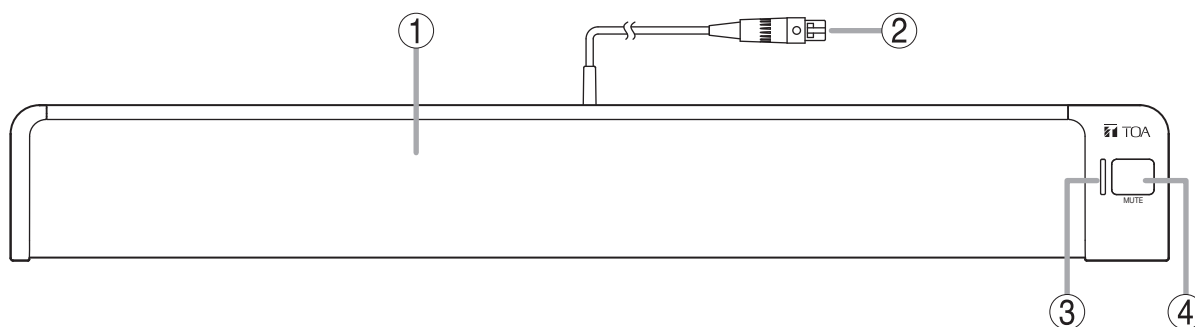
使用上のご注意

- アレイマイクのマイク部を手や文具類などの障害物で覆ったり隠したりしないでください。性能が十分に発揮できなくなります。
- ラックに取り付ける場合、パワーアンプ周辺は本機の使用温度範囲を超えることがあります。パワーアンプの周辺には設置しないでください。
- 床に落としたり、硬いものに当てたりしないでください。故障の原因となります。
- 本機を使用しているすぐ近くで、携帯電話を使用しないでください。ノイズが入ることがあります。
- 本機を清掃するときには、必ず電源スイッチを切り接続を外してから、乾いた布でふいてください。また、ひどい汚れは中性洗剤をしみこませた布を使用してください。ベンジン・シンナー・アルコール類・化学ぞうきんなどは絶対に使用しないでください。変形や変色の原因になります。

各部の名称とはたらき

■ アレイマイク

[上面]



1. マイク部

内部に8つのマイクエレメントが収納されています。

ご注意

機器の性能を十分に発揮させるため、マイク部を手やその他のもので覆わないでください。

2. マイクケーブル (TA-3 コネクター付き)

コントロールユニットのマイク入力端子に接続します。

3. マイク状態表示灯 (緑/赤)

アレイマイクがコントロールユニットに接続されているとき、マイクの状態を示します。

電源 ON 時 : 点灯 (緑)

電源 OFF 時 : 消灯

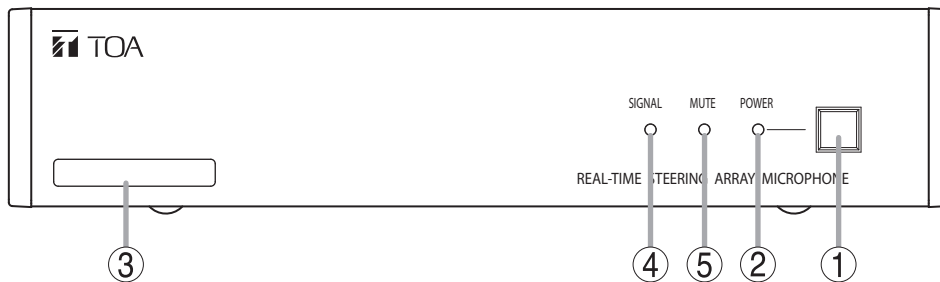
マイクミュート時 : 点灯 (赤)

4. ミュートスイッチ [MUTE]

アレイマイクから入力された音をミュートするためのスイッチです。

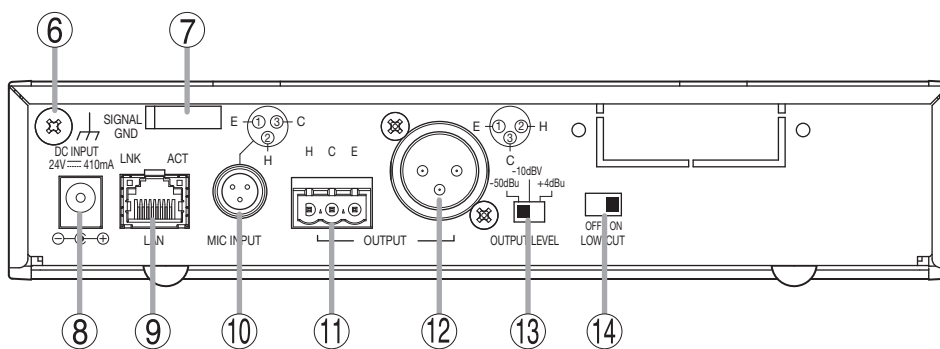
■ コントロールユニット

[前面]



1. 電源スイッチ
 押すと電源が入り、もう一度押すと電源が切れます。
2. 電源表示灯 [POWER] (青)
 電源が ON のときに点灯します。
3. MAC アドレス
 本機の MAC アドレスです。
 - (ハイフン) 区切りの 12 桁の英数字です。
4. シグナル表示灯 [SIGNAL] (緑)
 音声信号が出力されているときに点灯します。
 ミュート中は点灯しません。
5. ミュート表示灯 [MUTE] (赤)
 音声出力がミュートされているときに点灯します。

[後面]



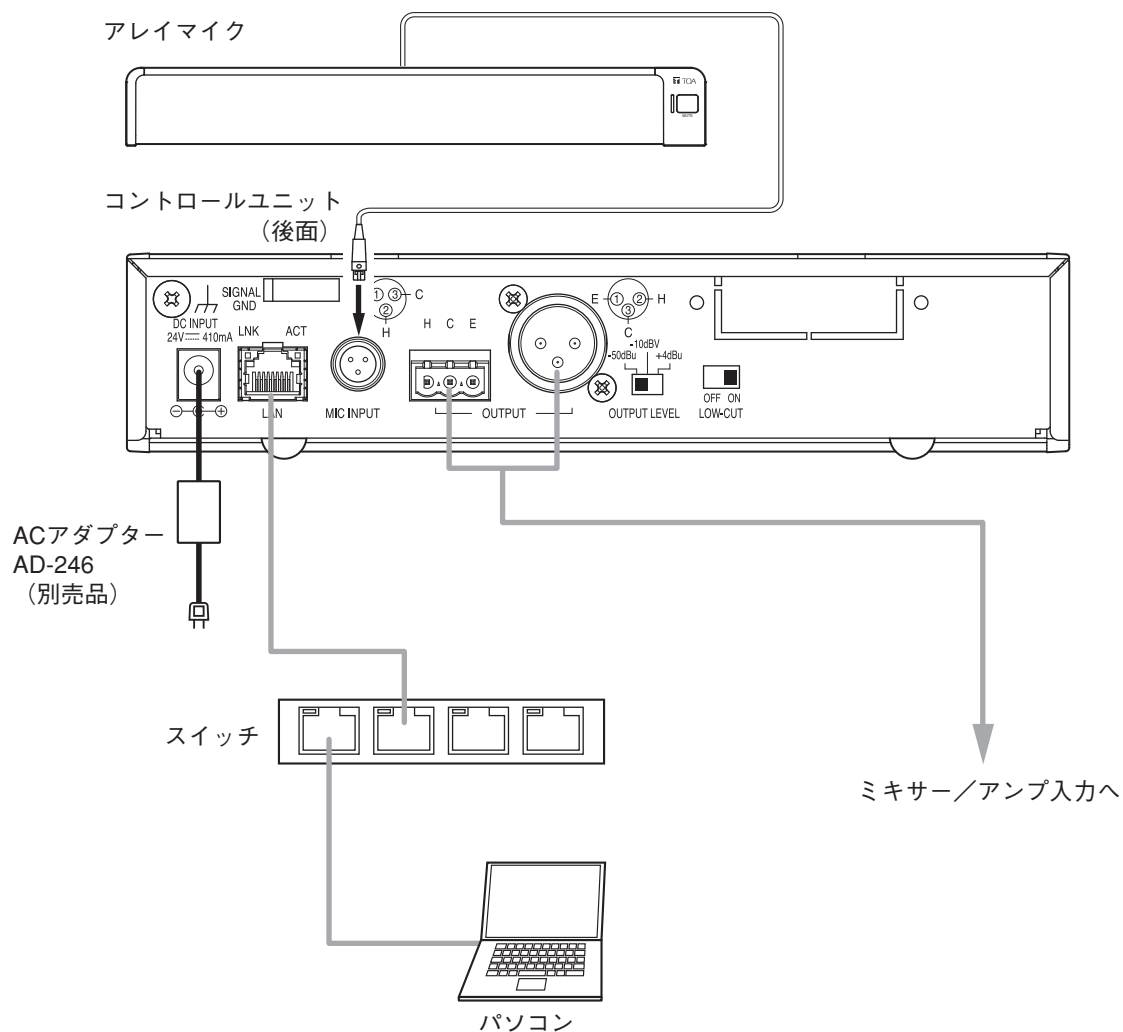
6. 機能アース端子 [SIGNAL GND]
 本機に外部機器を接続してノイズが多いときは、この端子と外部機器の機能アース端子を接続してください。ノイズが少なくなることがあります。
 ※ 安全アースではありません。
7. コードクランプ
 AC アダプターのプラグが抜け落ちないようにするため、コードを挟み込んで固定します。
8. 電源入力端子 [DC INPUT]
 別売の AC アダプター AD-246 を接続します。
9. ネットワーク接続端子 [LAN] (RJ45 ジャック)
 10BASE-T または 100BASE-TX に対応したネットワークに接続します。
 LNK ACT LNK LED : ネットワークに接続されているときに点灯します。
 ACT LED : 通信中に点灯します。
10. マイク入力端子 [MIC INPUT] (TA-3 コネクター)
 アレイマイクのマイクケーブルを接続します。他の機器は接続しないでください。
11. 音声出力端子 [OUTPUT] (着脱式ターミナルブロック)
 ミキサー、アンプなどの音声入力端子に接続します。
 H: ホット、C: コールド、E: アース (シールド)
12. 音声出力端子 [OUTPUT] (XLR-3-32 コネクター)
 ミキサー、アンプなどの音声入力端子に接続します。
13. 出力レベル切換スイッチ [OUTPUT LEVEL]
 音声の出力レベルを切り換えます。
 切換レベル: -50 dB^{*1} / -10 dB^{*2} / $+4 \text{ dB}^{*1}$
14. 低域カットスイッチ [LOW-CUT]
 音声出力の低域成分が不足していると感じるときは、このスイッチを OFF にします。

*1 0 dB = 0.775 V

*2 0 dB = 1 V

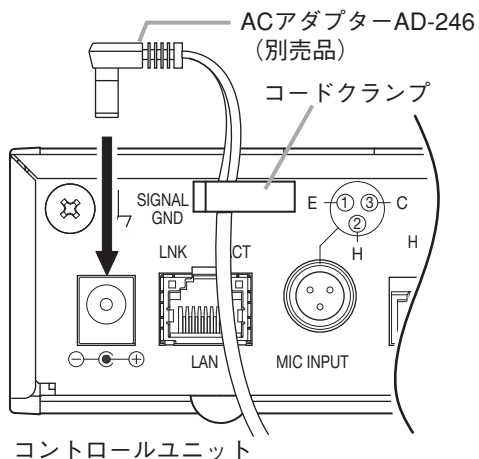
接続のしかた

■ システム例



■ ACアダプターの接続

別売の AC アダプター AD-246 をコントロールユニットの電源入力端子に接続します。
コードをコードクランプに挟み込み、固定してください。



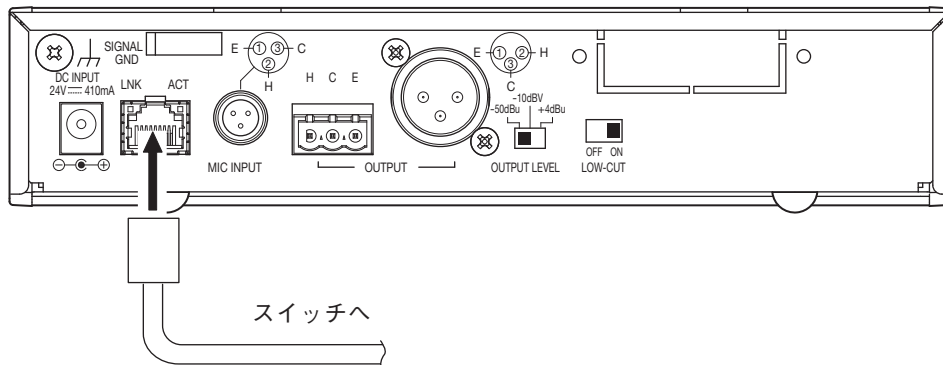
⚠ 注意

AC アダプターは、別売の AD-246 を使用してください。それ以外のものを使用すると、火災の原因になることがあります。

■ ネットワークの接続

コントロールユニットは 10BASE-T/100BASE-TX のネットワークに自動判別で接続できます。
この接続には、RJ45 コネクタ付き UTP カテゴリ 5 規格以上のストレートケーブルを使用してください。

コントロールユニット

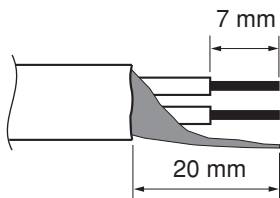


■ 着脱式ターミナルプラグの接続

付属の着脱式ターミナルプラグを使用して音声出力端子に接続する場合は、以下の点に注意してください。

- 必ずシールド線を使用してください。
- 線材のむきしろ部分にはんだめっきをすることは避けてください。
線材を締め付けたときに、はんだスズが破砕し、接触抵抗が高くなるため、接続部の温度が異常に上昇することがあります。
- 線材の種類は、AWG12 ~ 24 を使用してください。
- 線材のむきしろは次のとおりにしてください。

[シールド線]

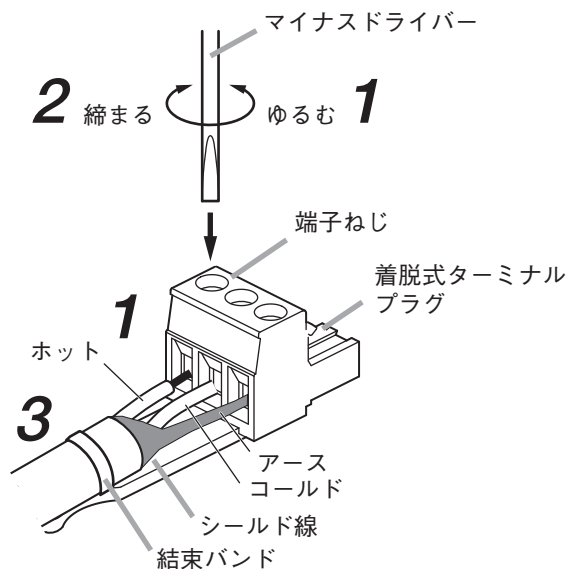


● プラグの接続手順

- 1 端子ねじをゆるめて線材を差し込む。
- 2 端子ねじをしっかりと締め付ける。
※ 線材を引っ張って抜けないことを確認してください。
- 3 線材が抜けないように、プラグと線材を結束バンドなどで固定する。
- 4 プラグを音声出力端子に差し込む。

メモ

推奨マイナスドライバー：ブレード幅が 3 mm 程度のもの



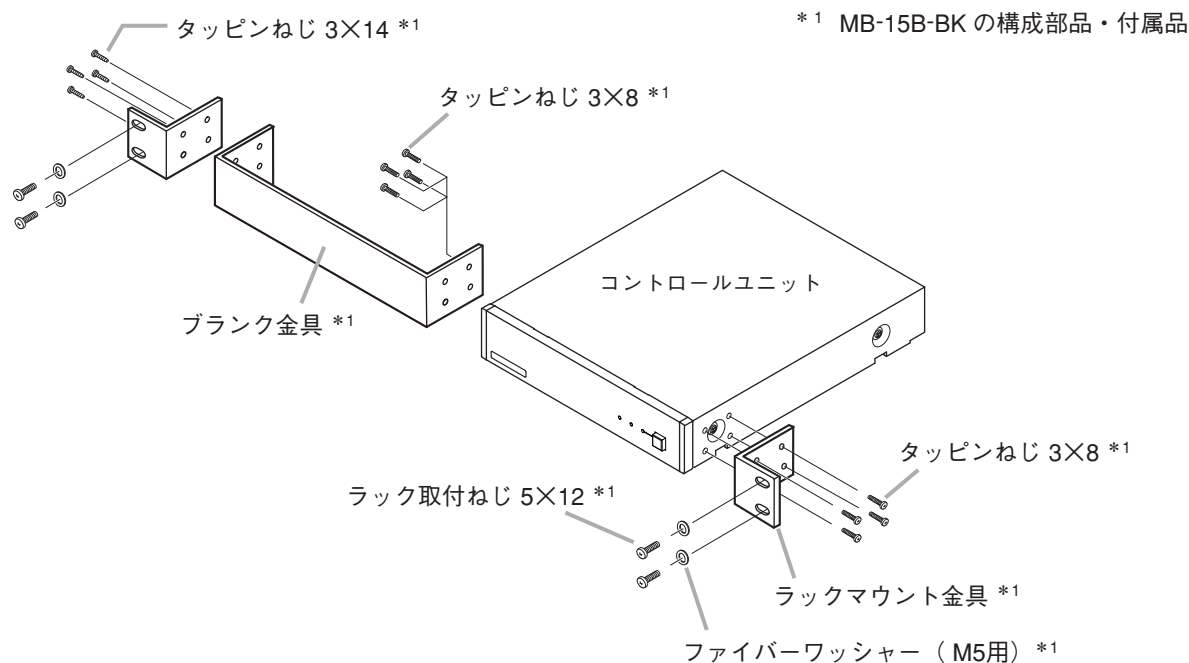
コントロールユニットの設置のしかた

■ ラックに取り付けるとき

- ラックに取り付けるときは別売の金具セットを使用してください。
- ラックに取り付ける前にコントロールユニット底面に接着されているゴム足4個を取り外してください。

● 1台をラックマウントする場合

ラックに1台取り付けるときは、別売金具 MB-15B-BK を使用してください。

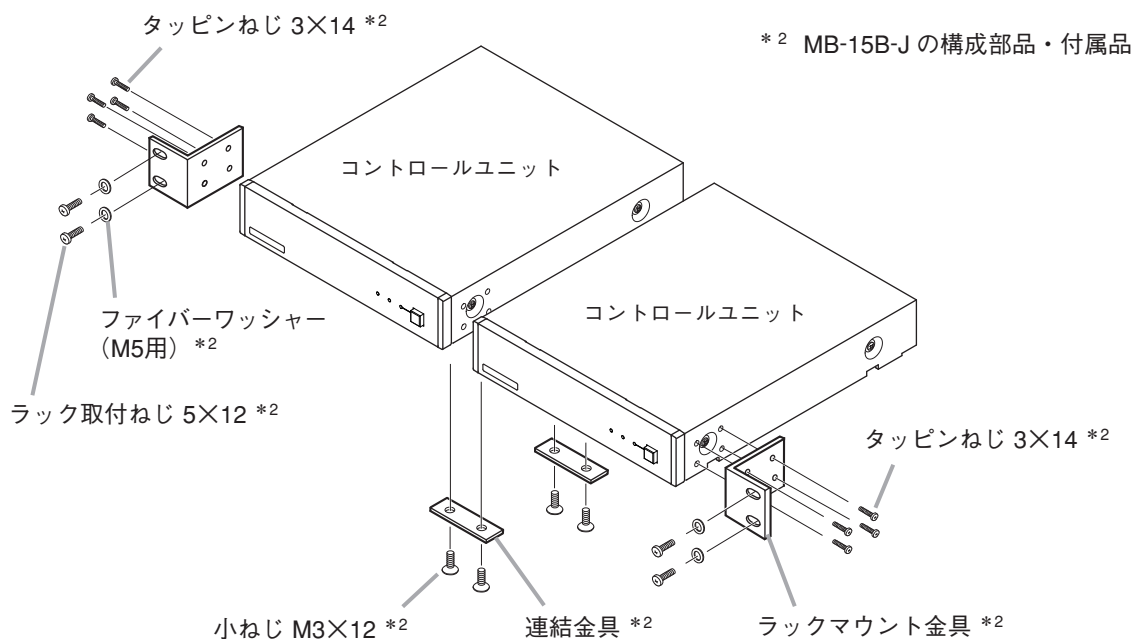


● 2台をラックマウントする場合

ラックに2台取り付けるときは、別売金具 MB-15B-J を使用してください。

ご注意

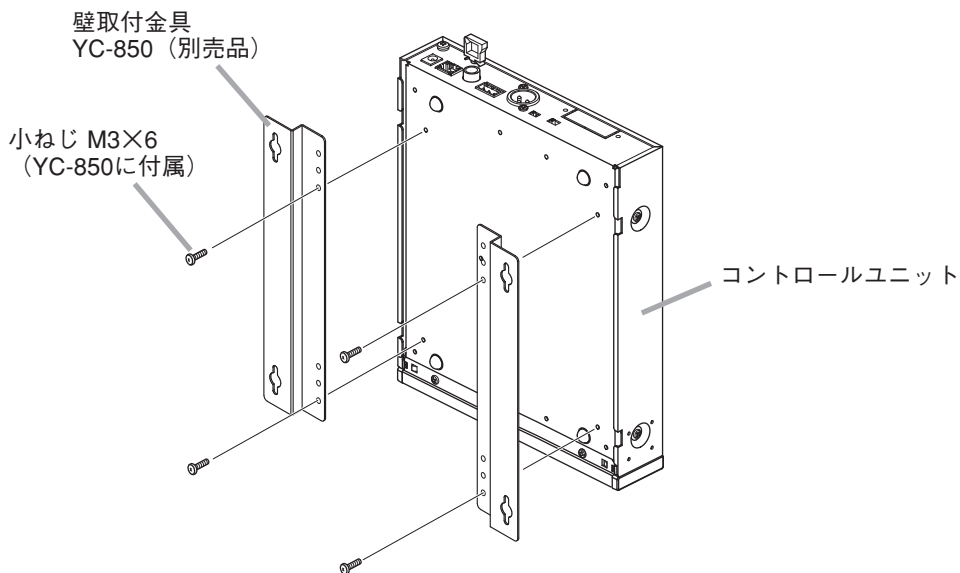
コントロールユニットは、MB-15B-J で他の機器と連結してラックマウントすることはできません。



■ 壁に取り付けるとき

壁に取り付けるときは、別売の壁取付金具 YC-850 を使用してください。

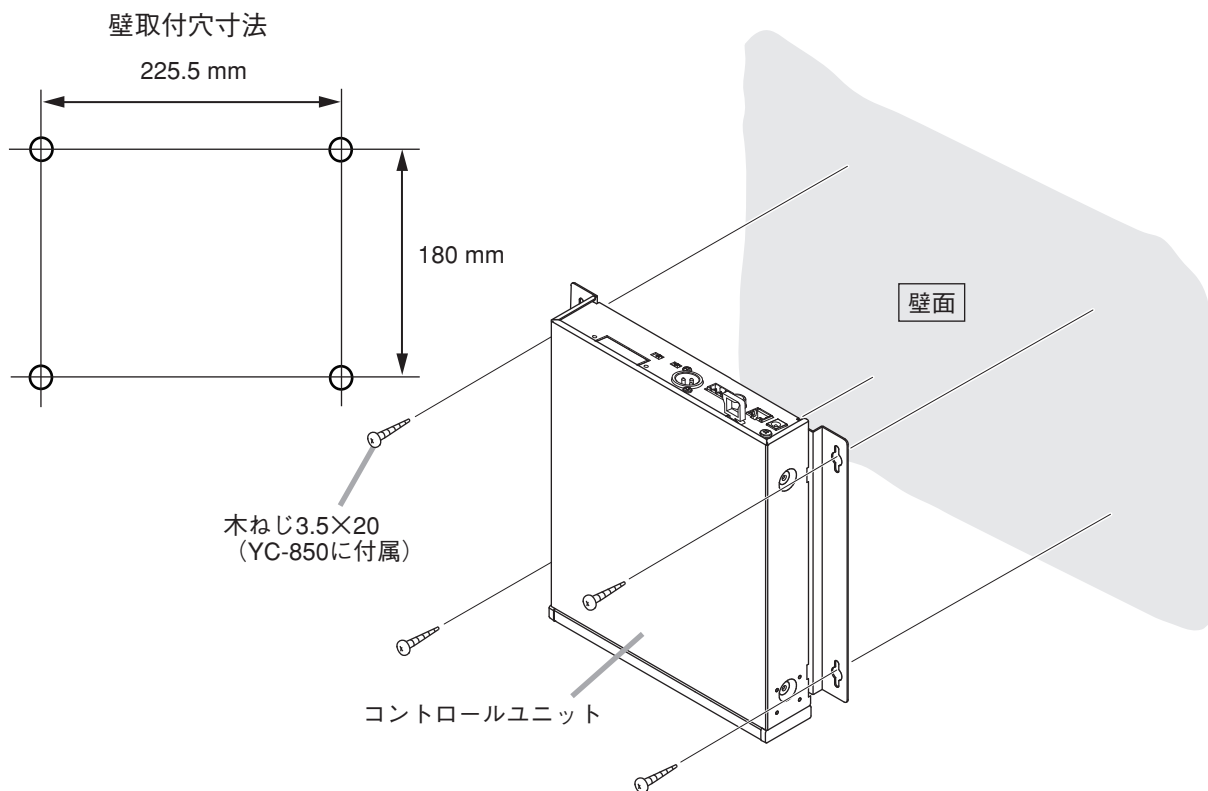
1 別売の壁取付金具 YC-850 をコントロールユニットに取り付ける。



2 コントロールユニットを壁に取り付ける。

ご注意

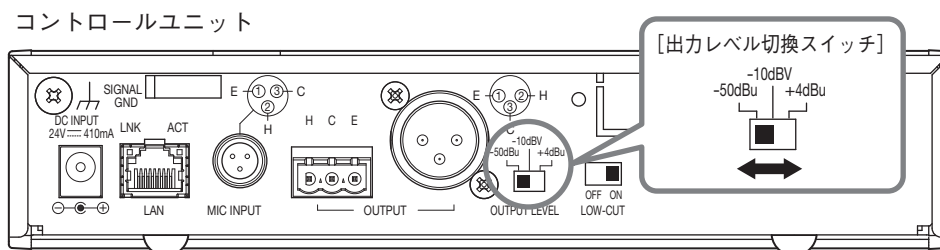
- 壁面の材質に応じた取付ねじを使用してください。
- 壁取付金具 YC-850 には木ねじ 3.5 × 20 が付属されています。
- 電源プラグの抜け防止のため AC アダプター (コード長 1.8 m) が宙吊りにならないように設置してください。



機器の設定

■ 音声出力の切り換え

- 1 すべての機器のケーブルとコネクタが、正しく接続されていることを確認する。
- 2 出力レベル切換スイッチを、接続するミキサー、アンプなどの入力レベルに合わせて切り換える。



※ 図は工場出荷時の設定です。

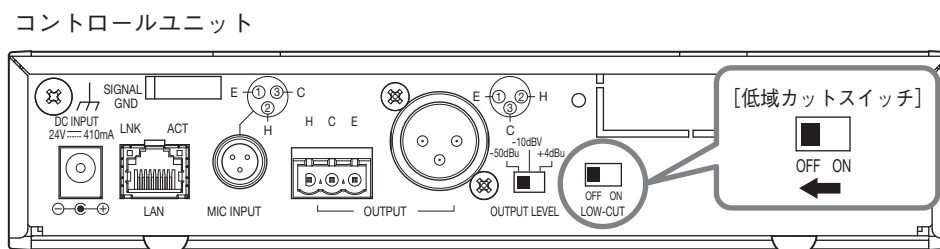
- 3 コントロールユニットの電源スイッチを入れる。

■ 音質の設定

ご注意

音質の設定は「Output Mode」がアレイモードのときに有効となります。「Output Mode」がカーディオイドモードのときは音質の設定はできません。「Output Mode」については P. 83 「マイク設定 2」をお読みください。

低域カットスイッチにより音声出力の低域成分をカットすることができます。
工場出荷時は「ON」に設定されていますので、低域成分が不足していると感じるときは、このスイッチを「OFF」にします。



システム設定

■ システム設定概要

パソコンの Web ブラウザーから機能設定と制御ができます。

[機能設定]

- ・ 追跡範囲設定：水平角度および距離
- ・ 検知感度
- ・ 追跡スピード
- ・ 自動音量補正：機能 ON/OFF、有効距離の設定
- ・ ミュートスイッチ機能の ON/OFF
- ・ 設定内容の保存

[制御]

- ・ 出力音声レベルの調整
- ・ プリセットメモリーの読み込み

■ システム要件

確認済みの動作環境は下記のとおりです。

- | | |
|-----------|--|
| OS | : Windows 10 Pro (64 bit) |
| Web ブラウザー | : Google Chrome (Version 56.0.2924.87)
Internet Explorer 10 (Version 10.0.9200.17609) |

■ Web ブラウザーからの設定

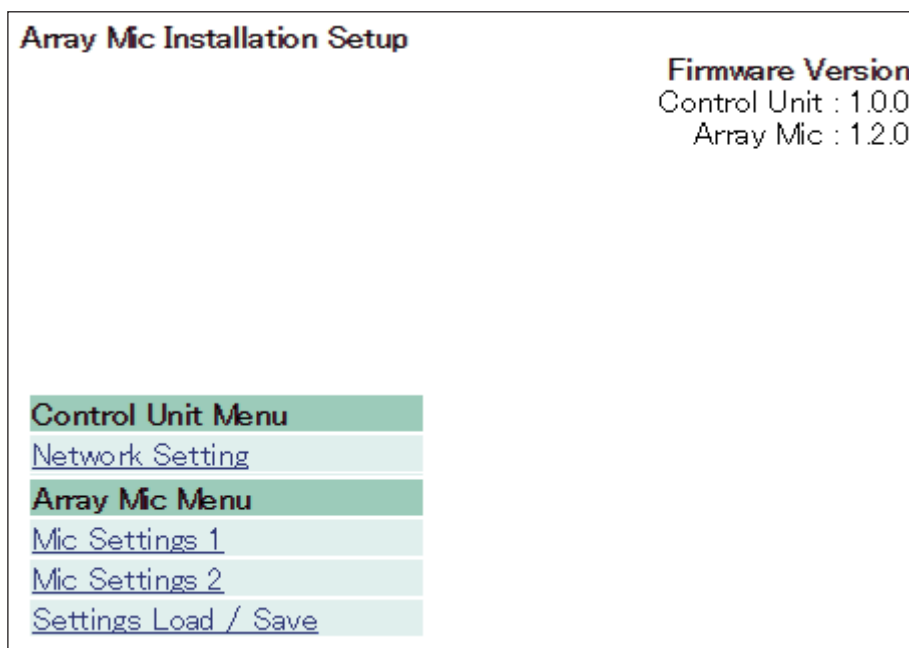
● 概要

パソコンから Web ブラウザー経由でアレイマイクおよびコントロールユニットの機能設定ができます。

● メニュー画面

Web ブラウザーを起動し、アドレス欄にコントロールユニットの IP アドレス*を入力すると、メニュー画面が表示されます。

* 工場出荷時は、192.168.1.14 に設定されています。



Network Setting	: ネットワーク設定
Mic Settings 1	: マイク設定 1
Mic Settings 2	: マイク設定 2
Settings Load/Save	: 設定の読み込みまたは保存

● ネットワーク設定

メニュー画面の「Network Setting」をクリックします。
コントロールユニットのネットワークを設定します。

Network Setting				
IP Address	192	168	1	14
Subnet Mask	255	255	255	0
Default Gateway	0	0	0	0
MAC Address	00:05:f9:ff:ff:ff			
ArrayMic Name	AM-1			
<input type="button" value="Save"/> <input type="button" value="Back to Menu"/>				

編集できるのは以下の項目です。

- IP Address : IP アドレスを入力します。
- Subnet Mask : サブネットマスクを入力します。
- Default Gateway : デフォルトゲートウェイを入力します。
- MAC Address : MAC アドレスは変更できません。
- ArrayMic Name : アレイマイク名(英数字、記号。半角 16 文字まで)を入力します。

[ボタンの操作]

Save : 設定を内蔵メモリー「Default」に保存します。

メモ

ネットワーク設定を変更した後、コントロールユニットの電源を入れなおしてください。
コントロールユニット再起動後、この画面を開き、正しく変更されたか確認してください。

Back to Menu : メニュー画面に戻ります。

● マイク設定 1

メニュー画面の「Mic Settings 1」をクリックします。

トラッキング制御(Tracking Control)に関するマイクパラメーターを設定します。

Tracking Control		Mic Parameters	
ON	<input checked="" type="radio"/>	Tracking Angle	-90 [deg] - 90 [deg]
		Tracking Distance	3.0 [m]
		Tracking Speed	10
		Tracking Sensitivity	-12 [dB]
OFF	<input type="radio"/>	Angle	0 [deg]
		Distance	1.0 [m]

Buttons: Apply, Save, Back to Menu

[Tracking Control の選択]

ラジオボタンで「ON」、「OFF」のどちらかのモードを選択します。

ON : 音源の位置検知を行います。

OFF : 音源の位置検知を行いません。

[Tracking Control が ON 時のマイク設定]

Tracking Angle : 位置検知を行う水平角度の範囲(-90 ~ 90 [deg])

Tracking Distance : 位置検知を行う距離(0.5 ~ 3.0 または ∞ [m])
※ 3.1 以上の値は ∞ として扱われ、15.0 と表示されます。

Tracking Speed : 音源位置を追跡するスピード(1 ~ 100)
数字が大きいほど追跡の速度が速くなります。

Tracking Sensitivity : 音源を検知するときのしきい値レベル(-24 ~ 0 [dB])
入力音声レベルがしきい値以上のとき音源を検知します。

[Tracking Control が OFF 時のマイク設定]

Angle : アレイマイクからの音源の角度(-90 ~ 90 [deg])

Distance : アレイマイクからの音源の距離(0.0 ~ 2.0 [m])

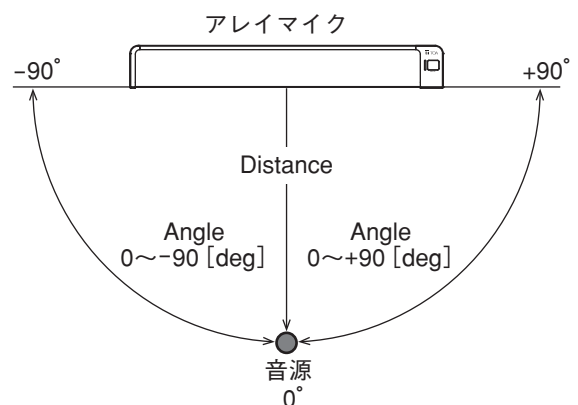
[ボタンの操作]

Apply : 設定をアレイマイクに反映します。このボタン操作では内蔵メモリーに保存されません。

Save : 設定を内蔵メモリー「Default」に保存します。

Back to Menu : メニュー画面に戻ります。

[Angle と Distance について]



● マイク設定 2

メニュー画面の「Mic Settings 2」をクリックします。
トラッキング制御(Tracking Control)以外のマイクパラメーターを設定します。

Mic Settings 2		
<input type="button" value="Apply"/>		
Output Mode		Array ▼
Output Level		0 [dB]
Auto Gain Control		OFF ▼
	Distance	0.5 [m]
Mute Button Control		ON ▼
<input type="button" value="Save"/> <input type="button" value="Back to Menu"/>		

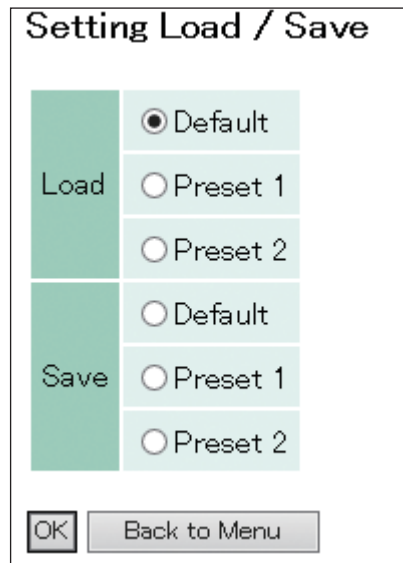
- Output Mode** : アレイモード(Array)またはカーディオイドモード(Cardiod)のどちらかを選択します。
アレイモード : 音源の位置を検知し、音量が一定になるよう信号処理を行うアレイマイクとして動作するモードです。
カーディオイドモード : 単一指向性のマイクとして動作するモードです。
- Output Level** : 音声の出力レベルを設定します。(-24 ~ 24 [dB])
- Auto Gain Control** : 自動レベル補正機能を設定します。「ON」で有効になります。
Distance には有効範囲を入力します。Distance は機能が有効になる範囲(アレイマイクからの距離)です。(0.5 ~ 2.0 [m])
- Mute Button Control** : アレイマイクのミュートスイッチによるミュート機能の有効(ON) / 無効(OFF)を設定します。

[ボタンの操作]

- Apply** : 設定をアレイマイクに反映します。
このボタン操作では内蔵メモリーに保存されません。
- Save** : 設定を内蔵メモリー「Default」に保存します。
- Back to Menu** : メニュー画面に戻ります。

● 設定の読み込みまたは保存

メニュー画面の「Settings Load/Save」をクリックします。
設定の読み込みまたは保存を行います。



Load : 内蔵メモリーに保存された設定を読み込みます。
読み込み元を「Default」、「Preset 1」、「Preset 2」から選択します。

Save : メモリーの設定を内蔵メモリーに保存します。
保存先を「Default」、「Preset 1」、「Preset 2」から選択します。

※ コントロールユニットの電源を入れなおしたときは最後にロードまたは保存した設定が読み込まれます。

[ボタンの操作]

OK : ラジオボタンで選択したところから読み込み、または、ラジオボタンで選択したところに保存します。

Back to Menu : メニュー画面に戻ります。

[Default、Preset 1、Preset 2 の初期値]

- Tracking Angle : $-90^{\circ} \sim 90^{\circ}$
- Tracking Distance : 3.0 m
- Tracking Sensitivity : -12 dB
- Tracking Speed : 10
- Auto Gain Control : OFF
- Output Mode : Array
- Mute Button Control : ON
- Output Level : 0 dB

テストモードでの起動のしかた



警告

ここに記載の作業は専門業者にご依頼ください。
お客様ご自身で、ケースを開けたり、改造したりすると、火災・感電の原因となります。

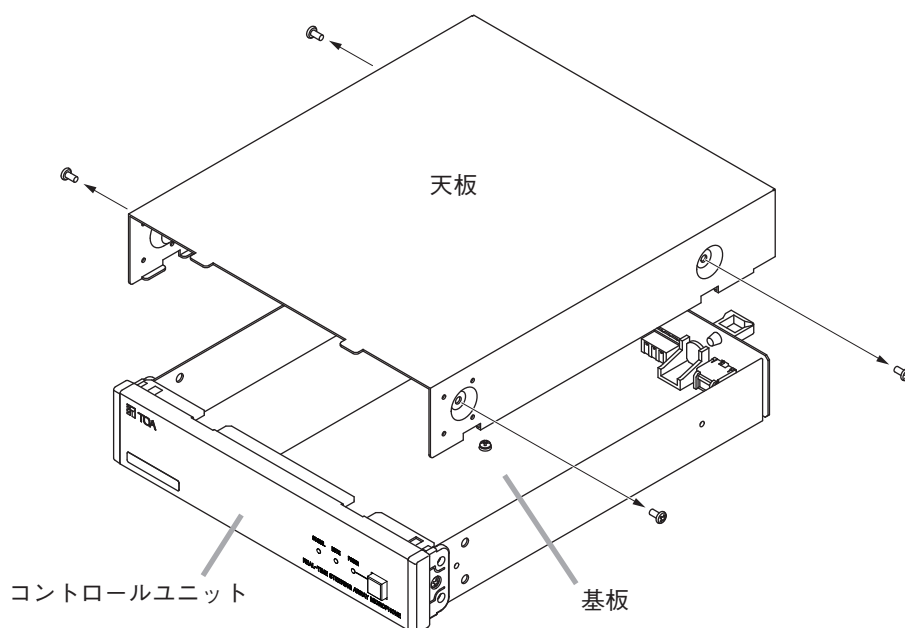
IP アドレスが分からなくなったときは、テストモードで起動し、IP アドレスを工場出荷時の状態に戻すことができます。

下記の手順でテストモードを起動してください。

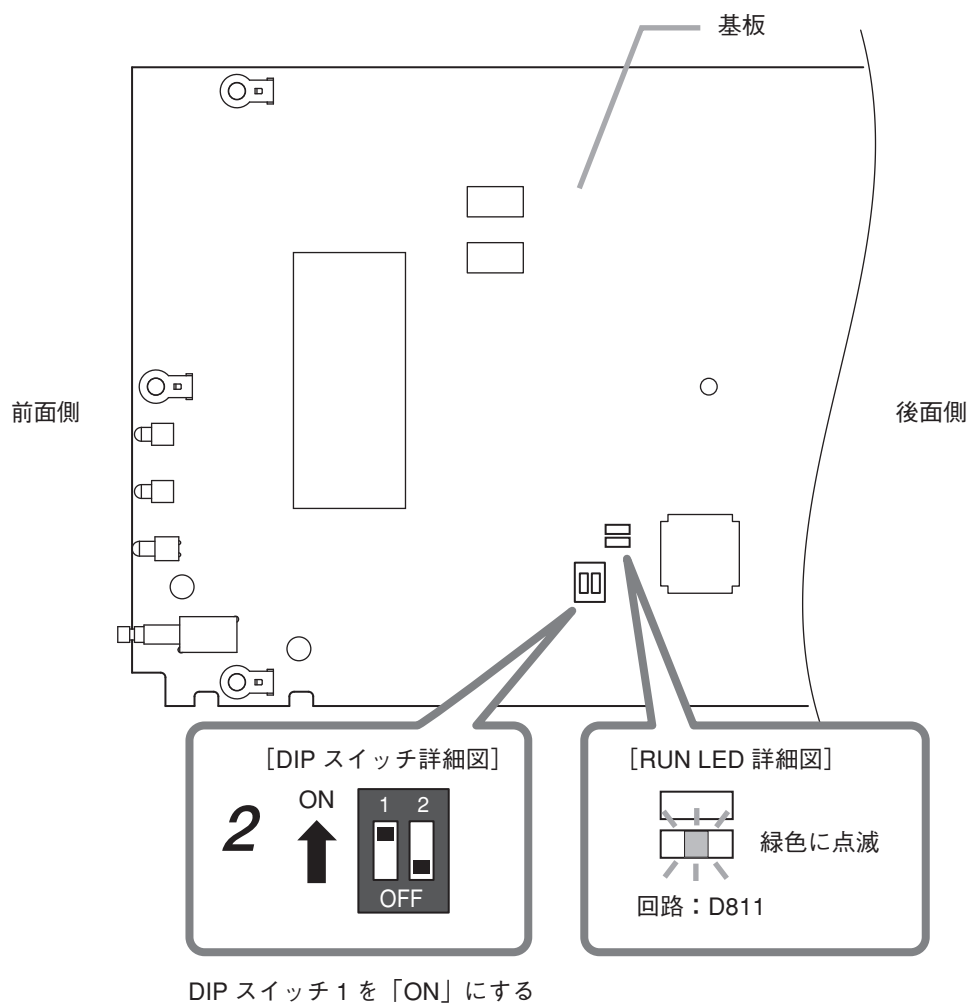
ご注意

- この作業は、コントロールユニットの電源を切った状態で行ってください。
- 基板上の部品には触れないでください。静電気により、故障のおそれがあります。
- これまでに保存したネットワーク設定は、すべて工場出荷時の状態となります。

1 コントロールユニットの天板を固定しているねじ 4 本を外して、天板を取り外す。



- 2** 基板上的の DIP スイッチ 1 を「ON」にして、コントロールユニットの電源を入れる。
下図の RUN LED が緑色に点滅します。



- 3** RUN LED が緑色に点滅するのを確認した後、コントロールユニットの電源を切る。

- 4** DIP スイッチ 1 を「OFF」に戻す。

- 5** 天板を元どおりに取り付ける。
工場出荷時のネットワーク設定に戻ります。

Web ブラウザーから設定してご使用ください。(P. 80)

故障かな？と思ったら

症 状	原 因	対 策
音声が出力されない。	システムに電源が供給されていない。	コントロールユニット、アレイマイク、スイッチに電源が供給されているか確認してください。
	システム間の配線に問題がある。	アレイマイクがコントロールユニットに接続されていることを確認してください。
		コントロールユニットと外部機器が接続されていることを確認してください。
ミュートがかかっている。	ミュートがかかっている。	アレイマイクのマイク状態表示灯が赤色に点灯、コントロールユニットのミュート表示灯が点灯していないか確認してください。
		Tracking Control を「ON」に設定している場合、Tracking Sensitivity の値が大きすぎないか確認してください。(P. 82 「マイク設定 1」)
		外部機器のボリュームがしぼられていないか確認してください。
音源を自動追跡しない。	トラッキング設定が適切ではない。	Tracking Control が「ON」になっていることを確認してください。(P. 82 「マイク設定 1」)
		音源を検知する範囲内で話しているか確認してください。
		Tracking Sensitivity の値が大きすぎないか確認してください。(P. 82 「マイク設定 1」)
		Output Mode が誤って「Cardioid」になっていないか確認してください。(P. 83 「マイク設定 2」)
パソコンからシステムに接続ができない。	システムに電源が供給されていない。	コントロールユニット、アレイマイク、スイッチに電源が供給されているか確認してください。
	IP アドレスが間違っている。	コントロールユニットの IP アドレスを確認してください。 コントロールユニットの IP アドレスが分からなくなった場合、テストモードで起動すると、192.168.1.14 で起動します。(P. 85 「テストモードでの起動のしかた」) テストモードでの起動については当社営業所にご連絡ください。
	システム間の配線に問題がある。	アレイマイクがコントロールユニットに接続されていることを確認してください。
コントロールユニットとスイッチが接続されていることを確認してください。		

症 状	原 因	対 策
アプリケーションがフリーズする。	通信環境が不安定である。	コントロールユニットとスイッチ、アレイマイクの接続を確認してください。
		システムの電源を確認してください。

仕 様

品 番	AM-1B	AM-1W	
構 成 品	アレイマイク…1、コントロールユニット…1		
ア レ イ マ イ ク	電 源	DC24 V (コントロールユニットから供給)	
	使用マイクロホン	単一指向性エレクトレットコンデンサー型	
	指 向 角	水平：50° (800 Hz～18 kHz、アレイモード)、180° (カーディオイドモード) 垂直：90°	
	周 波 数 特 性	150 Hz～18 kHz	
	最 大 入 力 音 圧	100 dB SPL	
	操 作 部	ミュートスイッチ	
	表 示 部	マイク状態表示灯(出力：緑、ミュート：赤)	
	出 力 コ ー ド	シールド付きツイストペアケーブル 10 m、TA-3 相当品付き	
	最 大 延 長 距 離	70 m (AES/EBU ケーブル使用)	
	仕 上 げ	本体、パンチングメタル： 表面処理鋼板、黒(マンセル N1.0 近似色)、3 分艶 両サイドカバー： ABS 樹脂、黒(マンセル N1.0 近似色)	本体、パンチングメタル： 表面処理鋼板、ホワイト(RAL9016 近似色)、3 分艶 両サイドカバー： ABS 樹脂、ホワイト(RAL9016 近似色)
寸 法	483.9 (幅)×22.1 (高さ)×64.9 (奥行) mm (出力コード部除く)		
質 量	1.2 kg		
コ ン ト ロ ー ル ユ ニ ット	電 源	DC24 V (AC アダプター (別売)から供給)	
	消 費 電 流	410 mA 以下	
	S N 比	90 dB 以上	
	入 力	TA-3 相当品(アレイマイク専用)	
	出 力	XLR-3-32 相当品、着脱式ターミナルブロック(3P)	
	ネ ッ ト ワ ー ク	ネットワーク I/F : 10BASE-T/100BASE-TX、RJ45 ネットワークプロトコル：TCP/IP、HTTP	
	調 節 器	出力レベル切換(+4 dB *1、-10 dB *2、-50 dB *1)、ローカット ON/OFF	
	操 作 部	電源スイッチ	
	表 示 部	電源表示灯(青)、ミュート表示灯(赤)、シグナル表示灯(緑)	
	仕 上 げ	プレコート鋼板、黒(マンセル N1.0 近似色)、3 分艶	
寸 法	210 (幅)×45.7 (高さ)×271.5 (奥行) mm		
質 量	1.5 kg		
専 用 ソ フ ト ウ ェ ア	PC ブラウザーソフトウェア (追跡距離/範囲、感度/速度、ミュート ON/OFF の設定)		
使 用 温 度 範 囲	0～+40℃		
使 用 湿 度 範 囲	90%RH 以下(ただし結露のないこと)		

*1 0 dB = 0.775 V

*2 0 dB = 1 V

※ 本機の仕様および外観は、改良のため予告なく変更することがあります。

● 付属品

着脱式ターミナルプラグ(3P) 1

● 別売品

AC アダプター : AD-246

ラックマウント金具 : MB-15B-BK (コントロールユニットを 1 台ラックマウントする場合)
MB-15B-J (コントロールユニットを 2 台連結してラックマウントする場合)

壁取付金具 : YC-850 (コントロールユニット)

警告

この機器は、クラス A 製品です。家屋内で使用すると無線障害を起こすことがあり、その場合、使用者は適切な対策を施す必要が生じます。

TOA お客様相談センター	フリーダイヤル (固定電話専用) 0120-108-117	商品の価格・在庫・修理などのお問い合わせ、およびカタログのご請求については、取り扱い店または最寄りの営業所へお申し付けください。最寄りの営業所については、TOA ホームページをご確認ください。
商品の内容や組み合わせ、操作方法についてのお問い合わせにお応えします。 受付時間 9:00 ~ 17:00 (土日、祝日除く)	ナビダイヤル 0570-064-475 (有料) FAX 0570-017-108 (有料) ※ PHS、IP 電話からはつながりません。	

当社は、お客様から提供された個人情報をお問い合わせ対応または修理対応の目的に利用いたします。また、修理委託目的で委託先業者へ提供することがあります。個人情報の取り扱いに関する方針については、TOA ホームページをご覧ください。

TOA ホームページ <https://www.toa.co.jp/>