



# ATTENUATORS AT-063AP, AT-303AP, AT-603AP

Thank you for purchasing TOA's Attenuator.  
Please carefully follow the instructions in this manual to ensure long, trouble-free use of your equipment.

## 1. SAFETY PRECAUTIONS

- Before installation or use, be sure to carefully read all the instructions in this section for correct and safe operation.
- Be sure to follow all the precautionary instructions in this section, which contain important warnings and/or cautions regarding safety.
- After reading, keep this manual handy for future reference.

 **WARNING** Indicates a potentially hazardous situation which, if mishandled, could result in death or serious personal injury.

 **CAUTION** Indicates a potentially hazardous situation which, if mishandled, could result in moderate or minor personal injury, and/or property damage.

### **WARNING**

#### When Installing the Unit

- Do not expose the unit to rain or an environment where it may be splashed by water or other liquids, as doing so may result in fire or electric shock.
- Refer all installation work to the dealer from whom the unit was purchased. Installation for requires extensive technical knowledge and experience. The unit may fall off if incorrectly installed, resulting in possible personal injury.
- Install the unit only in a location that can structurally support the weight of the unit and the mounting bracket. Doing otherwise may result in the unit falling down and causing personal injury and/or property damage.
- Since the unit is designed for indoor use, do not install it outdoors. If installed outdoors, the aging of parts causes the unit to fall off, resulting in personal injury. Also, when it gets wet with rain, there is a danger of electric shock.
- Do not use other methods than specified to mount the unit. Extreme force is applied to the unit and the unit could fall off, possibly resulting in personal injuries.
- Do not mount the unit in locations exposed to constant vibration. The unit can be damaged by excessive vibration, potentially causing the unit to fall, which could result in personal injury.
- Use screws that are appropriate for the ceiling's or wall's structure and composition. Failure to do so may cause the speaker to fall, resulting in material damage and possible personal injury.
- Tighten each screw securely. Ensure that the bracket has no loose joints after installation to prevent accidents that could result in personal injury.

- Take care not to pinch the cables when wiring, making cable wiring by force may result in fire or electric shock.
- Use the specified plate in combination. Doing otherwise may cause the unit or component to fall off, resulting in personal injury.

- Avoid touching the unit's sharp metal edge to prevent injury.
- To avoid electric shocks, be sure to switch off the amplifier's power when connecting the unit.

**When the Unit is in Use**

- Do not operate the unit for an extended period of time with the sound distorting. Doing so may cause the connected speakers to heat, resulting in a fire.
- Have the unit checked periodically by the shop from where it was purchased. Failure to do so may result in corrosion or damage to the unit or its mounting bracket that could cause the unit to fall, possibly causing personal injury.



**When Installing the Unit**

- Avoid installing the unit in humid or dusty locations, in locations exposed to the direct sunlight, near the heaters, or in locations generating sooty smoke or steam as doing otherwise may result in fire or electric shock.

**2. GENERAL DESCRIPTION**

The AT-063AP, AT-303AP, and AT-603AP are the wall-mount transformer type attenuators capable of handling a wide range of input power. They feature 5-level fine volume adjustment and a push-in terminal block for easy cable connection.

**3. FEATURES**

- Volume adjustable to 5 levels (0 dB, -6 dB, -12 dB, -18 dB and OFF)
- A push-in colored terminal block provides an easy cable connection.

**4. SPECIFICATIONS**

Model	AT-063AP	AT-303AP	AT-603AP
Input volume	0.5 – 6 W	0.5 – 30 W	0.5 – 60 W
Input Impedance	20 kΩ – 1.7 kΩ	20 kΩ – 330 Ω	20 kΩ – 170 Ω
Attenuation	5 steps (0 dB, - 6 dB, - 12 dB, - 18 dB, OFF)		
Applicable Cable	600 V vinyl-insulated cable (Indoor Vinyl or Heat-resistant Indoor Vinyl cable) Solid cable: ø0.8 (0.03") – ø1.6 (0.06") mm		
Finish	Knob, panel, plate: ABS resin, white (RAL 1013 or equivalent color) Case: ABS resin, black		
Terminal	Push-in connector		
Dimensions	70 (w) x 120 (h) x 52.4 (d) mm (2.76" x 4.72" x 2.06") (with plate) 41 (w) x 108 (h) x 52.4 (d) mm (1.61" x 4.25" x 2.06") (attenuator only)		
Weight	170 g (0.37 lb)(unit only)	210 g (0.46 lb)(unit only)	210 g (0.46 lb)(unit only)

**Note:** The design and specifications are subject to change without notice for improvement.

**• Accessories**

- Plate ..... 1
- Machine screw M3.5 x 5 (mounted to the plate) .... 2
- Machine screw M4 x 35 ..... 2

**• Optional products**

- Plate: YP-1AF
- Wall mounting box: YS-11A
- Flush-mount box: YC-801
- Wall-mount box: YC-802

## 5. INSTALLATION

**Step 1.** Install the electrical box into the wall.

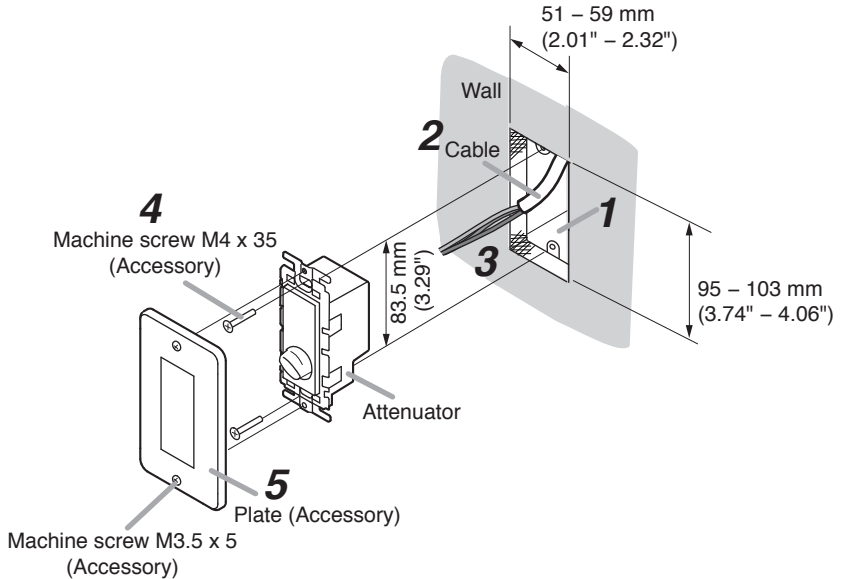
**Step 2.** Make a hole in the wall to mount the unit, then pull out the cables from the wall.

**Step 3.** Connect the cables to the unit's terminal block.

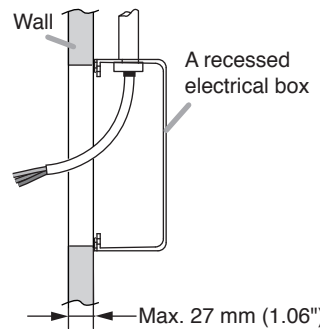
**Note:** For details, see "Connection" on the next page.

**Step 4.** Mount the unit in the electrical box using the 2 supplied screws.

**Step 5.** Attach the plate (supplied) to the Attenuator.



**Note:** When using the supplied screws to install the unit to the electrical box, the distance between the wall surface and the electrical box's surface should be less than 27 mm (1.06") as shown below.



### WARNING

Take care not to pinch the lead-in cables when mounting the unit particularly in a shallow wall-mount box (37 mm or 1.46" deep). Do not press the cables into the shallow box by force, as doing so may damage the unit, resulting in fire or electric shock.

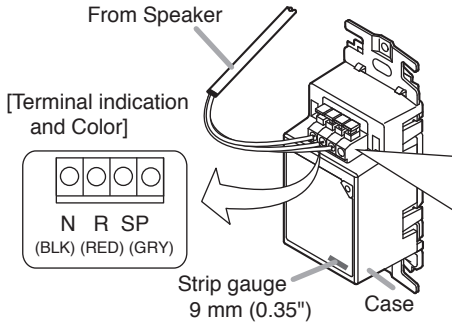
## 6. CONNECTION

**Step 1.** Strip the cable sheath 9 mm (0.35") from the cable end.

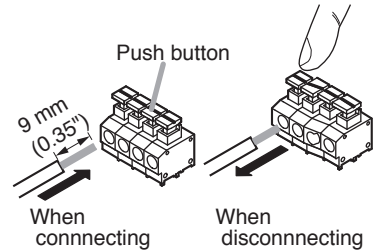
**Note:** Use a Strip gauge printed on the nameplate.

**Step 2.** Insert each cable conductor fully into the terminal hole according to the indications (N, R, and SP) marked on the unit's case.

**Note:** The cable conductor can be inserted without holding down the terminal push button. To disconnect it, pull out the cable while holding down the push button.



**Note:** To prevent biting or pull-off of cable, insert an intact, unbent cable conductor straight.



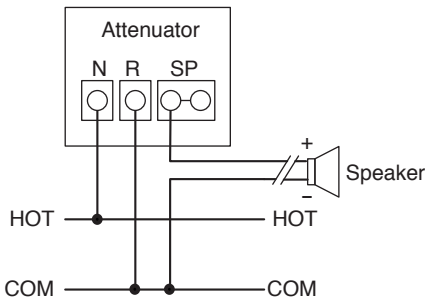
[Applicable cables]

600 V vinyl insulated wire (IV wire or HIV wire).

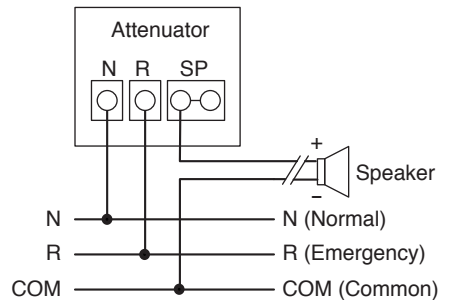
Diameter of core wire (copper wire): 0.8 mm – 1.6 mm (AWG 20 – AWG 14)

## 7. WIRING METHODS

[2-wire system]



[3-wire system]



[Attenuator terminal block color]

N: Black, R: Red, SP: Gray

[Speaker terminal block color]

N: Black, R: Red, COM: White

### Traceability Information for Europe

Manufacturer:  
TOA Corporation  
7-2-1, Minatojima-Nakamachi, Chuo-ku, Kobe, Hyogo,  
Japan

Authorized representative:  
TOA Electronics Europe GmbH  
Suederstrasse 282, 20537 Hamburg,  
Germany