

■ DESCRIPTION

The D-001T is a plug-in module designed for use with the 9000 Series amplifiers and can provide two independent balanced inputs. The D-001T can handle signals ranging from microphone level to line level by controlling their input sensitivity in 9 increments from -60 dB to -10 dB.

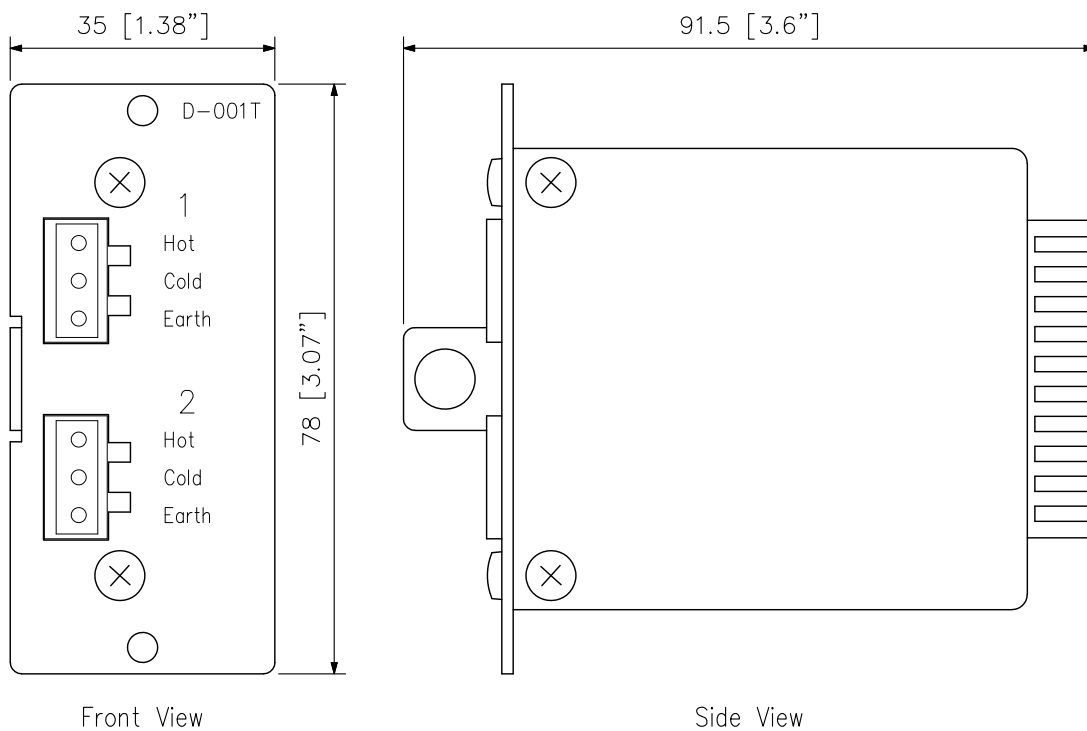
Phantom power (+24 V) can be supplied for condenser microphone use. The D-001T can process effect for TONE/EQ/COMPRESSOR to two inputs independently.

■ SPECIFICATIONS

\* 0 dB = 1 V

Power Source	+24 V DC, -24 V DC, +6 V DC
Current Consumption (Typ)	20 mA (at +24 V DC), 20 mA (at -24 V DC), 75 mA (at +6 V DC)
Input	2 channels, 3 kΩ (when the phantom power is ON)/10 kΩ (when the phantom power is OFF), electronically-balanced, removable terminal block (3 pins)
Input Sensitivity	-60, -54, -48, -42, -36, -30, -24, -18, -10 dB* (selectable)
Frequency Response	20 Hz - 20 kHz, +1, -3 dB
Total Harmonic Distortion + N	0.01 % (at 1 kHz, A-weighted, Input sensitivity: -10 dB)
Input Equivalent Noise	-112 dB or less (at A-weighted, Input short, Input sensitivity: -60 dB)
S/N Ratio	70 dB or more (at A-weighted, Input short, Input sensitivity: -10 dB)
Cross Talk	Less than -75 dB (at 20 kHz, Input sensitivity: -10 dB)
CMRR	62 dB or more (at 1 kHz, Input sensitivity: -60 dB)
A/D Converter	24 bit $\Delta\Sigma$ ADC
Sampling Frequency	48 kHz
Tone Control	Bass: $\pm 12$ dB (at 100 Hz) Treble: $\pm 12$ dB (at 10 kHz)
Parametric Equalizer	10 bands, Frequency: 20 Hz - 20 kHz, 31 points, Variable range: $\pm 12$ dB, Q: 0.3 - 5
High-pass Filter	-12 dB/oct, Variable frequency range: 20 Hz - 20 kHz, 31 points
Low-pass Filter	-12 dB/oct, Variable frequency range: 20 Hz - 20 kHz, 31 points
Compressor	Depth: 1 - 5
Phantom Power	+24 V DC
Operating Temperature	-10 °C to +40 °C
Finish	Panel: Aluminum, hair-line
Dimensions	35 (W) X 78 (H) X 91.5 (D) mm (1.38" X 3.07" X 3.6")
Weight	84 g (0.19 lb)
Accessory	Removable terminal plug (3 pins) $\times 2$ , Module mounting screw $\times 2$

■ APPEARANCE



Front View

Side View

UNIT:mm SCALE:1/1