

DESCRIPTION

The S4.16B includes a wireless transmitter and a diversity tuner.

The wireless transmitter has been manufactured for use with a UHF system. It employs an optional electret condenser microphone element and has been designed for use in speech reinforcement applications. The built-in compressor-expander circuit minimizes the influence from ambient noise.

The diversity tuner is a PLL-synthesizer controlled double superhetrodyne diversity tuner designed to be used with a UHF wireless system. It employs a compander noise reduction circuit to minimize the influence of ambient RF noise.

SPECIFICATIONS

Product Composition	Wireless transmitter ...1, Tuner ...1
Frequency Range	606.600 – 864.850 MHz(*1)
Channel Selectable	16 channels
Accessory	AC – DC adapter(*2) ...1

Wireless Transmitter

RF Carrier Power	Max. 10 mW
Modulation System	PLL synthesizer
Mic Input Connector	ø3.5 mini jack
Battery	6LR61
Battery Life	Approx. 10 hours
Indicator	Battery status LED
Finish	Resin, coating
Dimensions	62.9 (W) × 102 (H) × 32.2 (D) mm (2.48" × 4.02" × 1.27") (excluding antenna)
Weight	90 g (0.2 lb)

Wireless tuner

(*3) 0 dB = 0.775 V

Power Source	AC mains (supplied AC-DC adapter must be used)
Power Consumption	100 mA (12 V DC)
Receiving System	Double super-heterodyne
Audio Output	Balanced output: +16 dB(*3)(max.), 600 Ω, balanced, XLR-3-31 type connector Unbalanced output: +10 dB(*3)(max.), 600 Ω, unbalanced, phone jack
Antenna Input	50 Ω BNC
Receiving Sensitivity	90 dB or more, Signal to Noise Ratio (20 dBμV input, 40 kHz deviation)
Squelch Sensitivity	18 – 40 dBμV variable
Indicator	ANT A/B, Audio (peak), RF level, Power
Signal to Noise Ratio	95 dB or more (A-weight, unbalanced output)
Harmonic Distortion	1 % or less (typical)
Frequency Response	60 Hz – 16 kHz, ±3 dB
Operation Temperature	-10 °C to +45 °C (14 °F to 113 °F)
Finish	Front panel: Resin, gray
Dimensions	213.4 (W) × 35.4 (H) × 153.8 (D) mm (8.4" × 1.39" × 6.06") (excluding antenna)
Weight	580 g (1.28 lb)

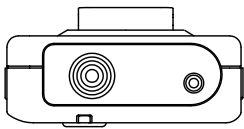
(*1) Version	Frequency Range
EA	863.150/863.725/864.150/864.850/854.900/855.900/856.175/856.575/ 857.950/858.200/858.650/859.500/860.400/860.900/861.200/861.750
G3	606.600/607.500/608.150/609.150/609.950/610.550/611.250/613.150/ 607.825/608.825/610.250/610.900/606.950/608.500/609.500/611.600

(*2) Version	AC – DC Adapter
EU, UK	230 V AC, 50 Hz

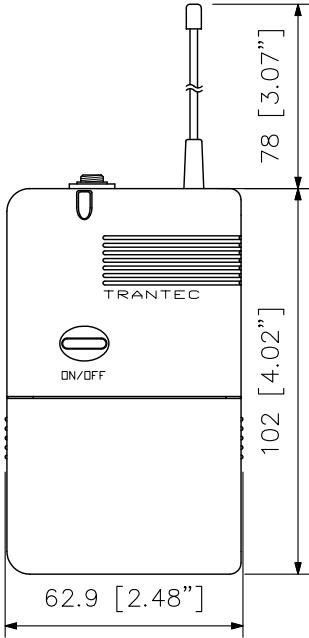
UHF WIRELESS SET

S4.16B-EA-EU
 S4.16B-EA-UK
 S4.16B-G3-UK

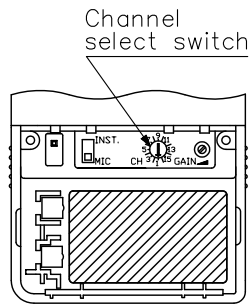
Wireless Transmitter



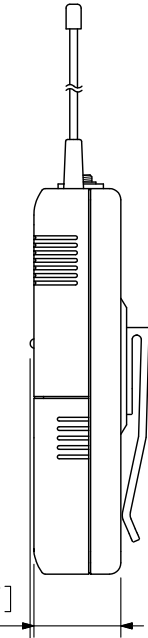
Top View



Front View

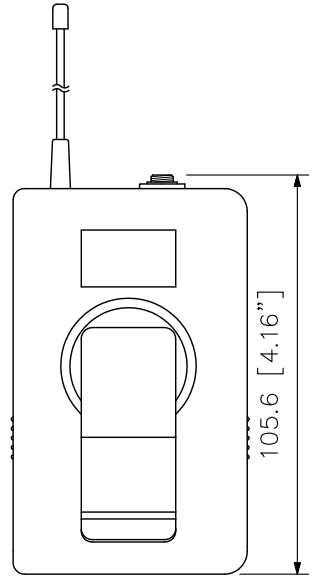


Inside of a battery cover

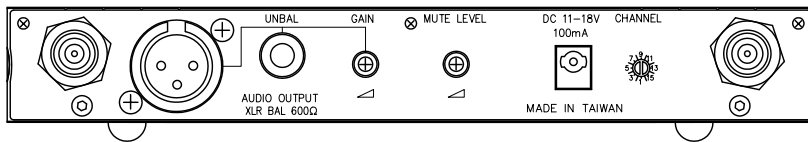


Side View

Rear View

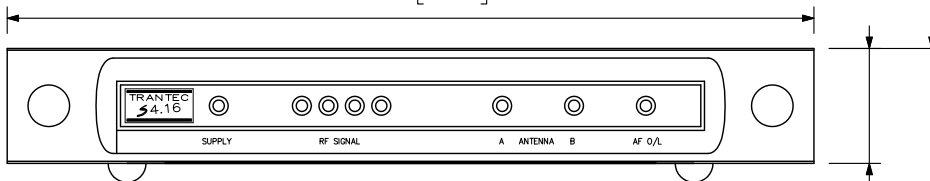


Wireless Tuner



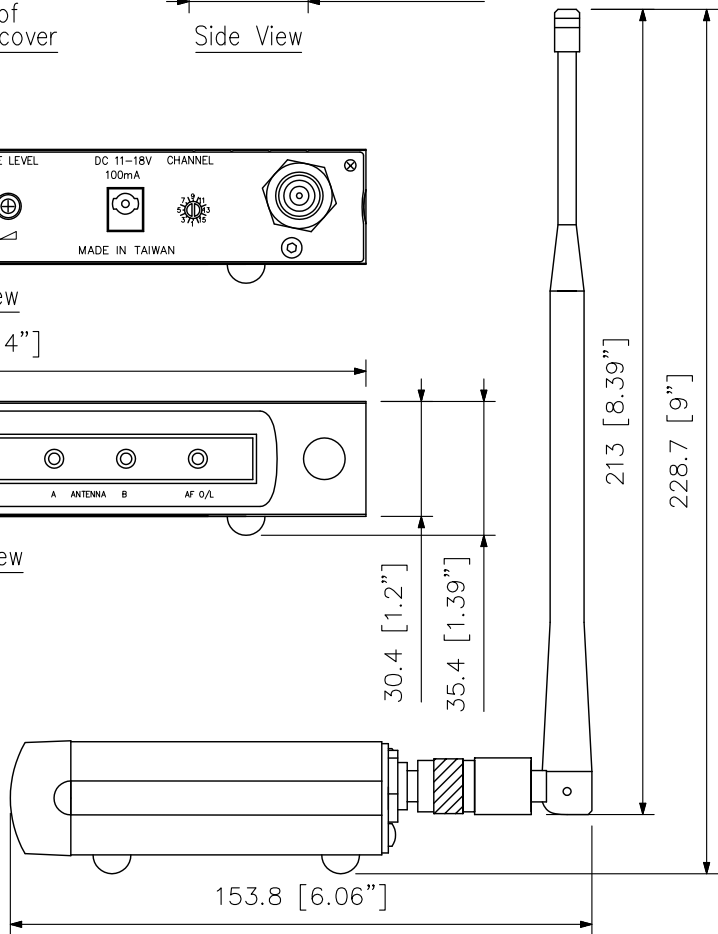
Rear View

213.4 [8.4"]



Front View

Side View



Note: The dimensions related to the antennas apply only to EA version of the Wireless sets.

UNIT:mm SCALE:1/2