

DESCRIPTION

The S4.16H includes a handheld wireless microphone and a diversity tuner.
 The Wireless Microphone employs a dynamic microphone capsule and is suitable for any applications. Thanks to the PLL-synthesizer system, 16 different operating frequencies are made available. A high output power ensures stable radio signal transmission.
 The diversity tuner is a PLL-synthesizer controlled double superheterodyne diversity tuner designed to be used with a UHF wireless system. It employs a compander noise reduction circuit to minimize the influence of ambient RF noise.

SPECIFICATIONS

Product Composition	Handheld wireless microphone *1, Tuner *1
Frequency Range	606.600 – 864.850 MHz(*1)
Channel Selectable	16 channels
Accessory	AC – DC adapter(*2) *1

Wireless microphone

Microphone Element	Dinamic unit: Cardioid
RF Carrier Power	Max. 10 mW
Modulation System	PLL synthesizer
Battery	6LR61
Battery Life	Approx. 10 hours
Indicator	Battery status LED
Finish	Resin, coating
Dimensions	ø50 X 270 mm (ø1.97" X 10.63")
Weight	220 g (0.49 lb)

Wireless tuner

(*3) 0 dB = 0.775 V

Power Source	AC mains (supplied AC-DC adapter must be used)
Power Consumption	100 mA (12 V DC)
Receiving System	Double super-heterodyne
Audio Output	Balanced output: +16 dB(*3)(max.), 600 Ω, balanced, XLR-3-31 type connector Unbalanced output: +10 dB(*3)(max.), 600 Ω, unbalanced, phone jack
Antenna Input	50 Ω BNC
Receiving Sensitivity	90 dB or more, Signal to Noise Ratio (20 dBμV input, 40 kHz deviation)
Squelch Sensitivity	18 – 40 dBμV variable
Indicator	ANT A/B, Audio (peak), RF level, Power
Signal to Noise Ratio	95 dB or more (A-weight, unbalanced output)
Harmonic Distortion	1 % or less (typical)
Frequency Response	80 Hz – 16 kHz, ±3 dB
Operation Temperature	-10 °C to +45 °C (14 °F to 113 °F)
Finish	Front panel: Resin, gray
Dimensions	213.4 (W) X 35.4 (H) X 153.8 (D) mm (8.4" X 1.39" X 6.06") (excluding antenna)
Weight	580 g (1.28 lb)

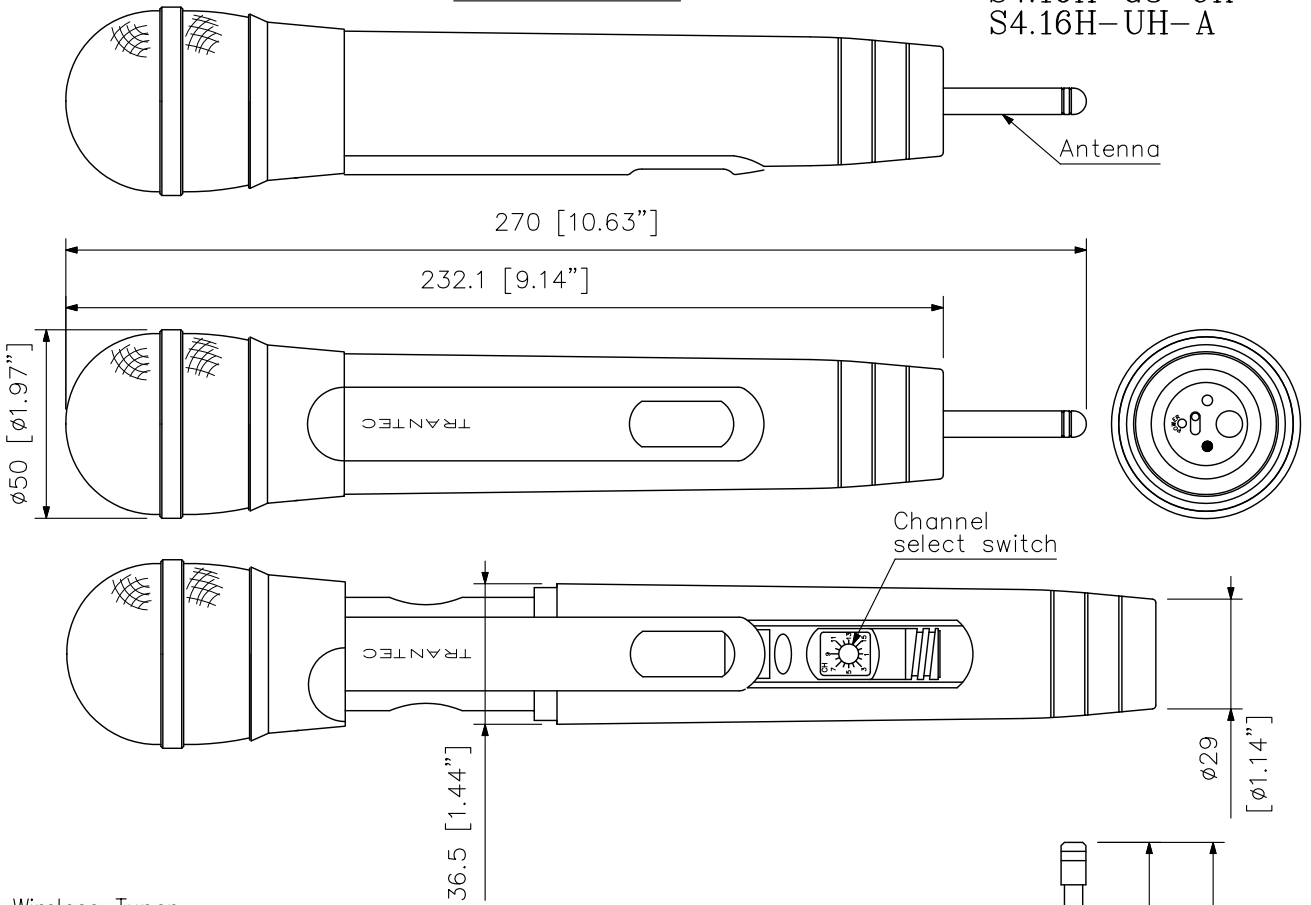
(*1) Version	Frequency Range
EA	863.150/863.725/864.150/864.850/854.900/855.900/856.175/856.575/ 857.950/858.200/858.650/859.500/860.400/860.900/861.200/861.750
G3	606.600/607.500/608.150/609.150/609.950/610.550/611.250/613.150/ 607.825/608.825/610.250/610.900/606.950/608.500/609.500/611.600
UH	742.075/742.800/743.300/743.975/719.125/720.475/722.700/725.025/ 726.425/728.525/730.500/731.350/732.925/733.825/739.525/741.025

(*2) Version	AC – DC Adapter
EU, UK, A	230 V AC, 50 Hz

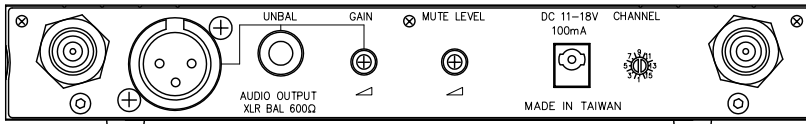
UHF WIRELESS SET

Wireless Microphone

S4.16H-EA-EU
 S4.16H-EA-UK
 S4.16H-G3-UK
 S4.16H-UH-A

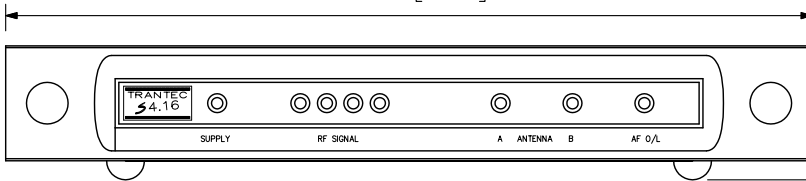


Wireless Tuner



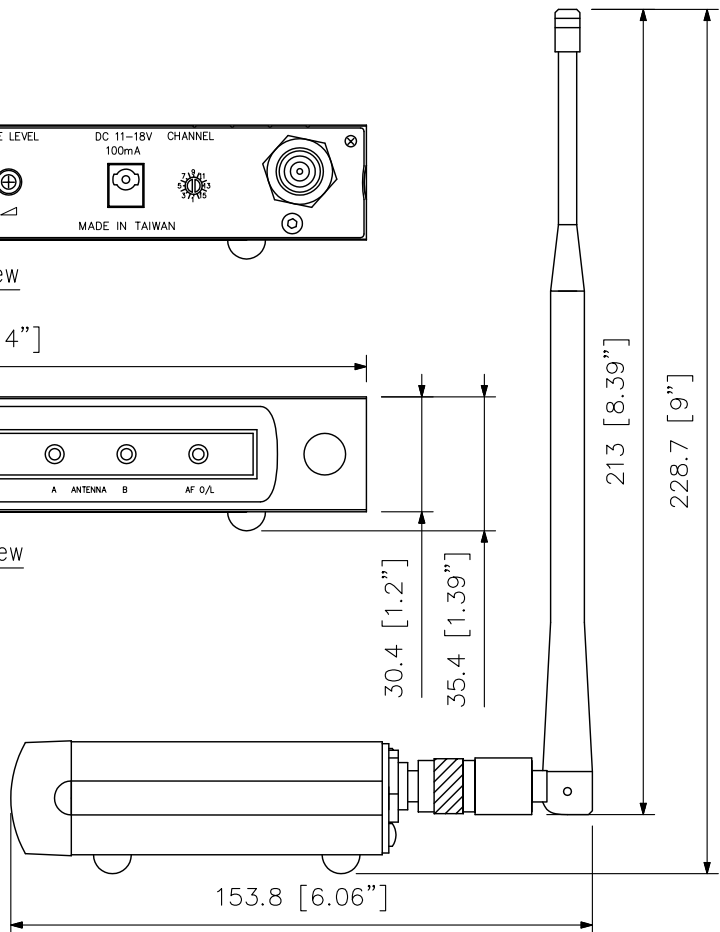
Rear View

213.4 [8.4"]



Front View

Side View



Note: The dimensions related to the antennas apply only to EA and UH versions of the Wireless sets.
 UNIT:mm SCALE:1/2