

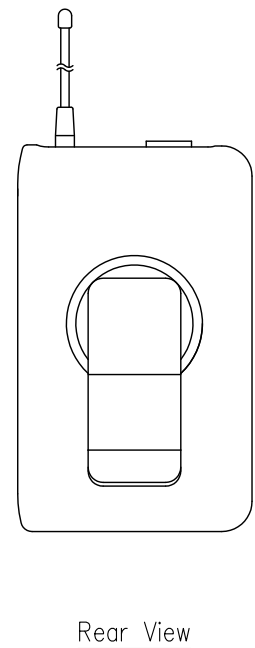
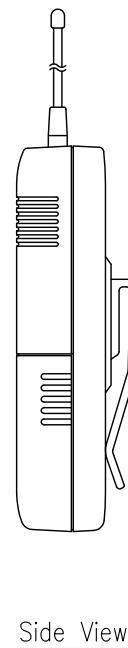
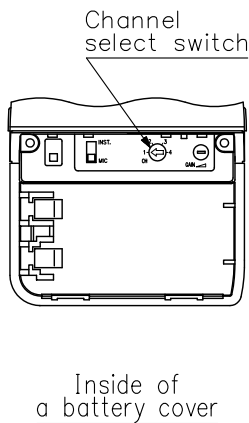
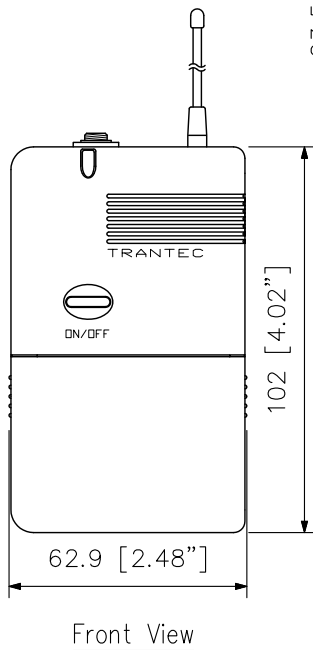
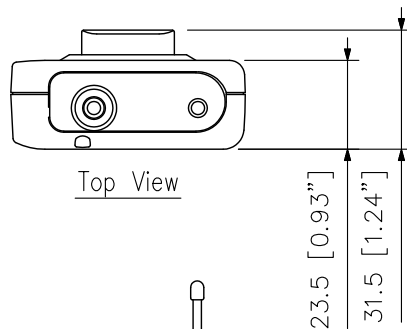
DESCRIPTION

The S4.4-BTX is a wireless transmitter. This has been manufactured for use with a UHF system. It employs an optional electret condenser microphone element and has been designed for use in speech reinforcement applications. The built-in compressor-expander circuit minimizes the influence from ambient noise.

SPECIFICATIONS

Frequency Range	863.150 – 864.850 MHz*
Channel Selectable	4 channels
RF Carrier Power	Max. 10 mW
Modulation System	PLL synthesizer
Mic Input Connector	ø3.5 mini jack
Battery	6LR61
Battery Life	Approx. 10 hours
Indicator	Battery status LED
Finish	Resin, coating
Dimensions	62.9 (W) × 102 (H) × 31.5 (D) mm (2.48" × 4.02" × 1.24") (excluding antenna)
Weight	90 g (0.2 lb)

* Version	Frequency Range
EA	863.150/863.725/864.150/864.850 MHz



UNIT:mm SCALE:1/2