

DESCRIPTION

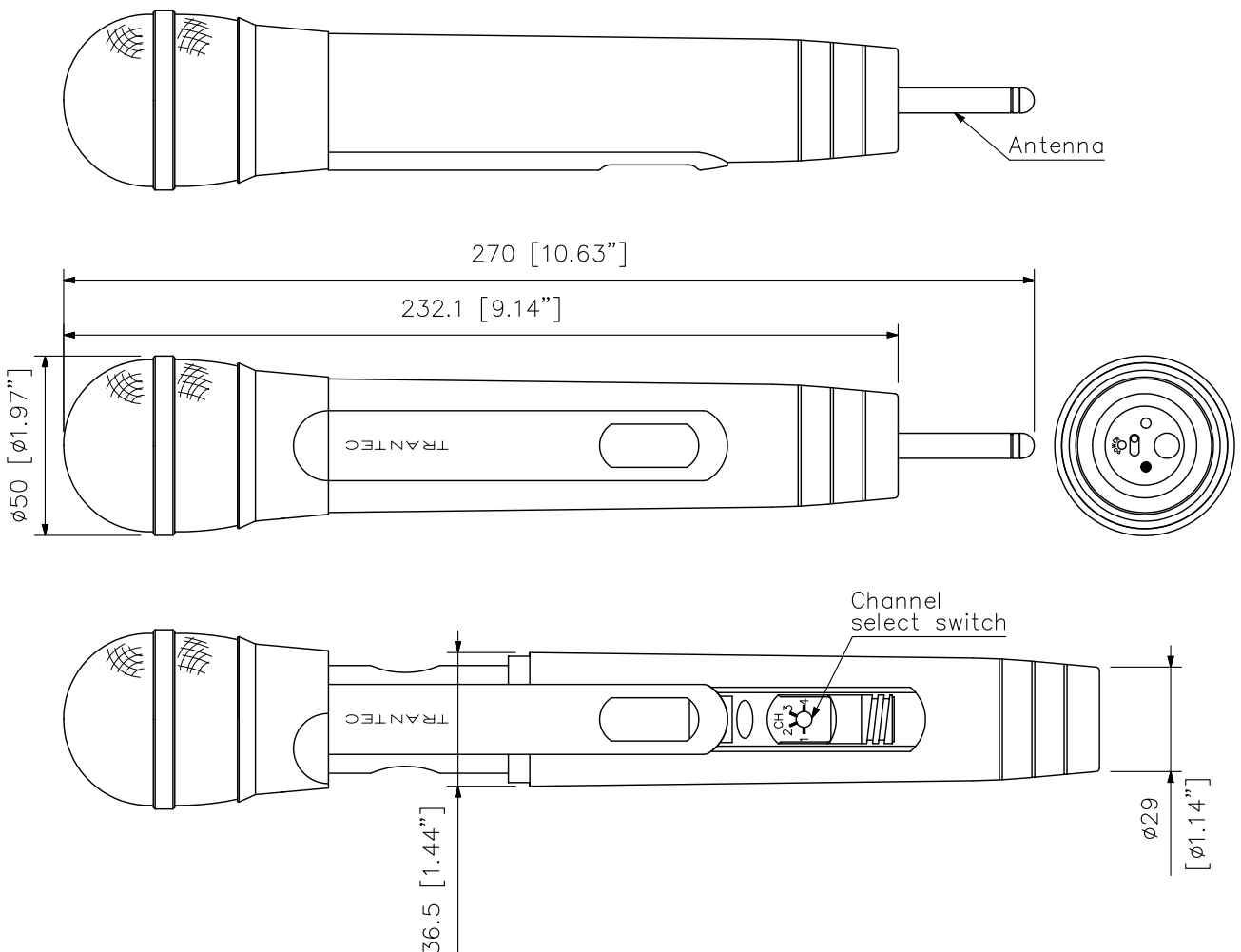
The S4.4-HDX is a handheld wireless microphone. This employs a dynamic microphone capsule and is suitable for any applications. Thanks to the PLL-synthesizer system, 4 different operating frequencies are made available. A high output power ensures stable radio signal transmission.

SPECIFICATIONS

Frequency Range	863.150 - 864.850 MHz*
Channel Selectable	4 channels
Microphone Element	Dinamic unit: Cardioid
RF Carrier Power	Max. 10 mW
Modulation System	PLL synthesizer
Battery	6LR61
Battery Life	Approx. 10 hours
Indicator	Battery status LED
Finish	Resin, coating
Dimensions	ø50 X 270 mm (ø1.97" X 10.63")
Weight	220 g (0.49 lb)

* Version	Frequency Range
EA	863.150/863.725/864.150/864.850 MHz

APPEARANCE



UNIT:mm SCALE:1/2