

## DESCRIPTION

The S4.4H includes a handheld wireless microphone and a diversity tuner.  
The Wireless Microphone employs a dynamic microphone capsule and is suitable for any applications. Thanks to the PLL-synthesizer system, 4 different operating frequencies are made available. A high output power ensures stable radio signal transmission.  
The diversity tuner is a PLL-synthesizer controlled double superhetrodyne diversity tuner designed to be used with a UHF wireless system. It employs a compander noise reduction circuit to minimize the influence of ambient RF noise.

## SPECIFICATIONS

Product Composition	Handheld wireless microphone ...1, Tuner ...1
Frequency Range	742.075 – 864.850 MHz(*1)
Channel Selectable	4 channels
Accessory	AC – DC adapter(*2) ...1

### Wireless microphone

Microphone Element	Dinamic unit: Cardioid
RF Carrier Power	Max. 10 mW
Modulation System	PLL synthesizer
Battery	6LR61
Battery Life	Approx. 10 hours
Indicator	Battery status LED
Finish	Resin, coating
Dimensions	ø50 × 270 mm (ø1.97" × 10.63")
Weight	220 g (0.49 lb)

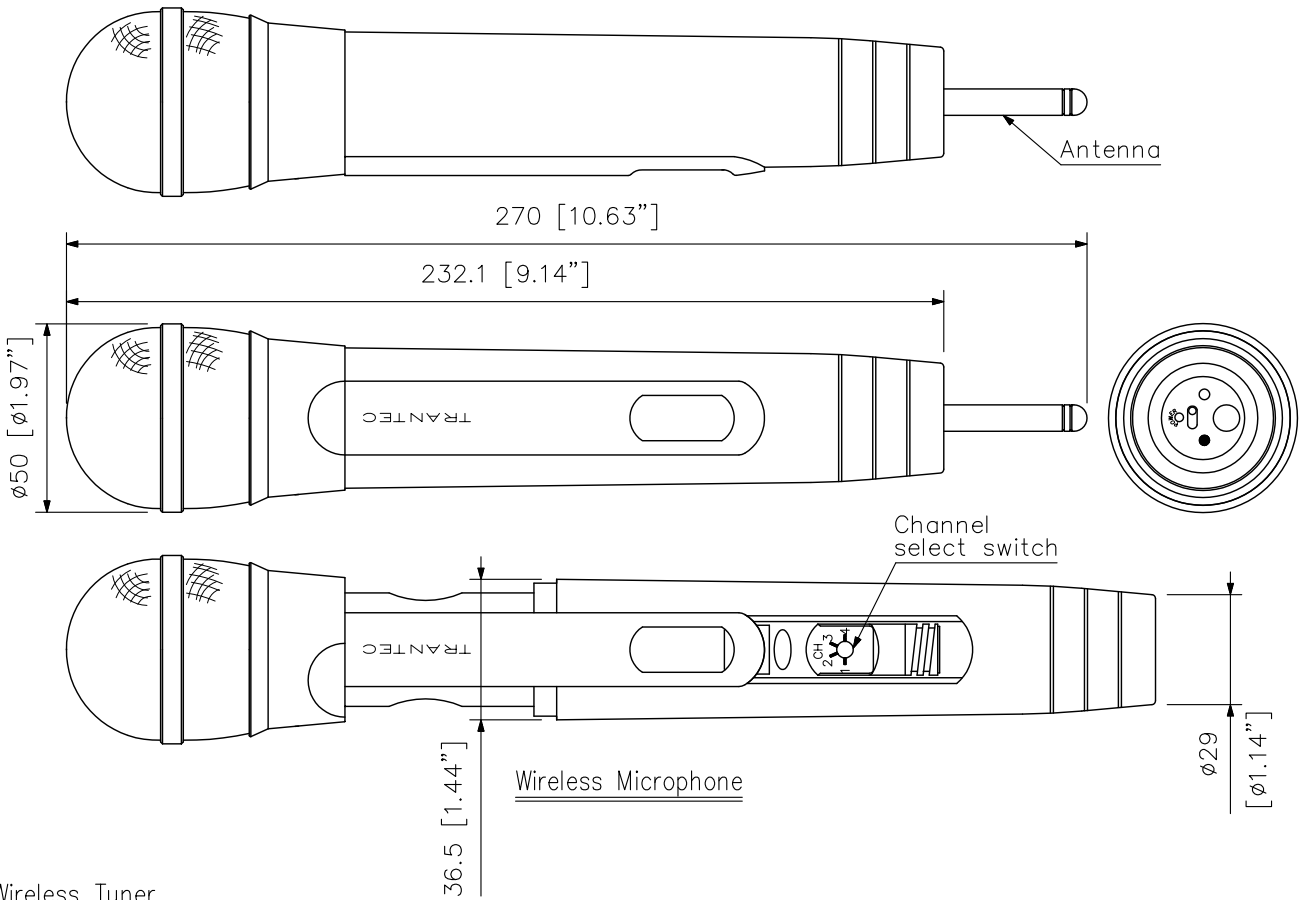
### Wireless tuner

(\*3) 0 dB = 0.775 V

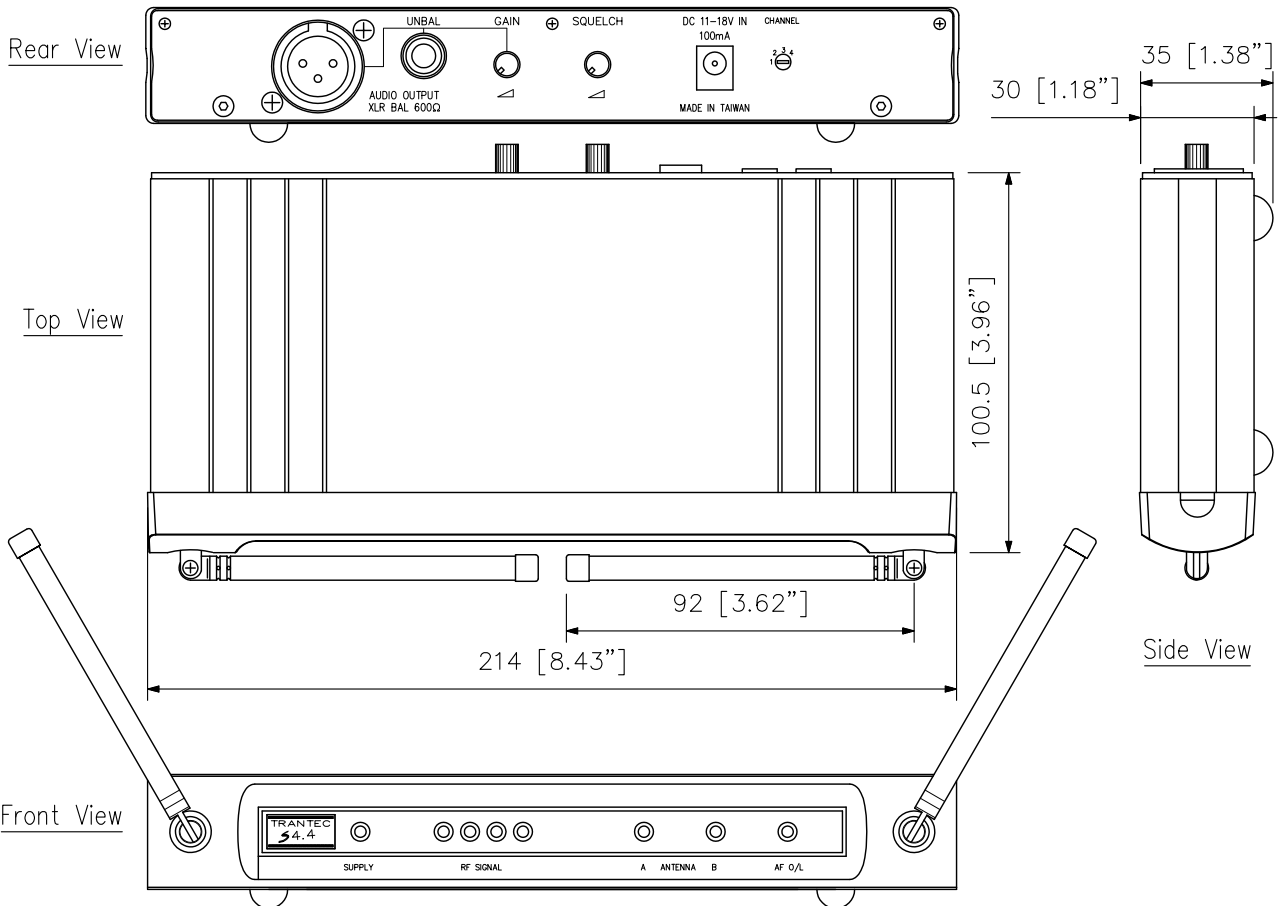
Power Source	AC mains (supplied AC-DC adapter must be used)
Power Consumption	100 mA (12 V DC)
Receiving System	Double super-heterodyne
Audio Output	Balanced output: +16 dB(*3)(max.), 600 Ω, balanced, XLR-3-31 type connector Unbalanced output: +10 dB(*3)(max.), 600 Ω, unbalanced, phone jack
Antenna	Red Antenna
Receiving Sensitivity	90 dB or more, Signal to Noise ratio (20 dBμV input, 40 kHz deviation)
Squelch Sensitivity	18 – 40 dBμV variable
Indicator	ANT A/B, Audio (peak), RF level, Power
Signal to Noise Ratio	95 dB or more (A-weight, unbalanced output)
Harmonic Distortion	1 % or less (typical)
Frequency Response	100 Hz – 15 kHz, ±3 dB
Operation Temperature	-10 °C to +45 °C (14 °F to 113 °F)
Finish	Front panel: Resin, gray
Dimensions	214 (W) × 35 (H) × 100.5 (D) mm (8.43" × 1.38" × 3.96") (excluding antenna)
Weight	580 g (1.28 lb)

(*1) Version	Frequency Range
UH	742.075/742.800/743.300/743.975 MHz
EA	863.150/863.725/864.150/864.850 MHz

(*2) Version	AC – DC Adapter
EU, UK, A	230 V AC, 50 Hz



Wireless Tuner



UNIT:mm SCALE:1/2