

DESCRIPTION

The S4.4L includes a lavalier wireless microphone and a diversity tuner.

The lavalier wireless microphone has been manufactured for use with a UHF system. It employs an omni-directional electret condenser microphone element and has been designed for use in speech reinforcement applications. The built-in compressor-expander circuit minimizes the influence from ambient noise.

The diversity tuner is a PLL-synthesizer controlled double superheterodyne diversity tuner designed to be used with a UHF wireless system. It employs a compander noise reduction circuit to minimize the influence of ambient RF noise.

SPECIFICATIONS

Product Composition	Lavalier wireless microphone *1, Tuner *1
Frequency Range	742.075 – 864.850 MHz(*1)
Channel Selectable	4 channels
Accessory	AC – DC adapter(*2) *1

Wireless microphone

Microphone Element	Back electret condenser: Omni-directional
RF Carrier Power	Max. 10 mW
Modulation System	PLL synthesizer
Mic Input Connector	ø3.5 mini jack
Battery	6LR61
Battery Life	Approx. 10 hours
Indicator	Battery status LED
Finish	Resin, coating
Dimensions	62.9 (W) × 102 (H) × 31.5 (D) mm (2.48" × 4.02" × 1.24") (excluding antenna)
Weight	90 g (0.2 lb)

Wireless tuner

(*3) 0 dB = 0.775 V

Power Source	AC mains (supplied AC-DC adapter must be used)
Power Consumption	100 mA (12 V DC)
Receiving System	Double super-heterodyne
Audio Output	Balanced output: +16 dB(*3)(max.), 600 Ω, balanced, XLR-3-31 type connector Unbalanced output: +10 dB(*3)(max.), 600 Ω, unbalanced, phone jack
Antenna	Red Antenna
Receiving Sensitivity	90 dB or more, Signal to Noise ratio (20 dBμV input, 40 kHz deviation)
Squelch Sensitivity	18 – 40 dBμV variable
Indicator	ANT A/B, Audio (peak), RF level, Power
Signal to Noise Ratio	95 dB or more (A-weight, unbalanced output)
Harmonic Distortion	1 % or less (typical)
Frequency Response	100 Hz – 15 kHz, ±3 dB
Operation Temperature	-10 °C to +45 °C (14 °F to 113 °F)
Finish	Front panel: Resin, gray
Dimensions	214 (W) × 35 (H) × 100.5 (D) mm (8.43" × 1.38" × 3.96") (excluding antenna)
Weight	580 g (1.28 lb)

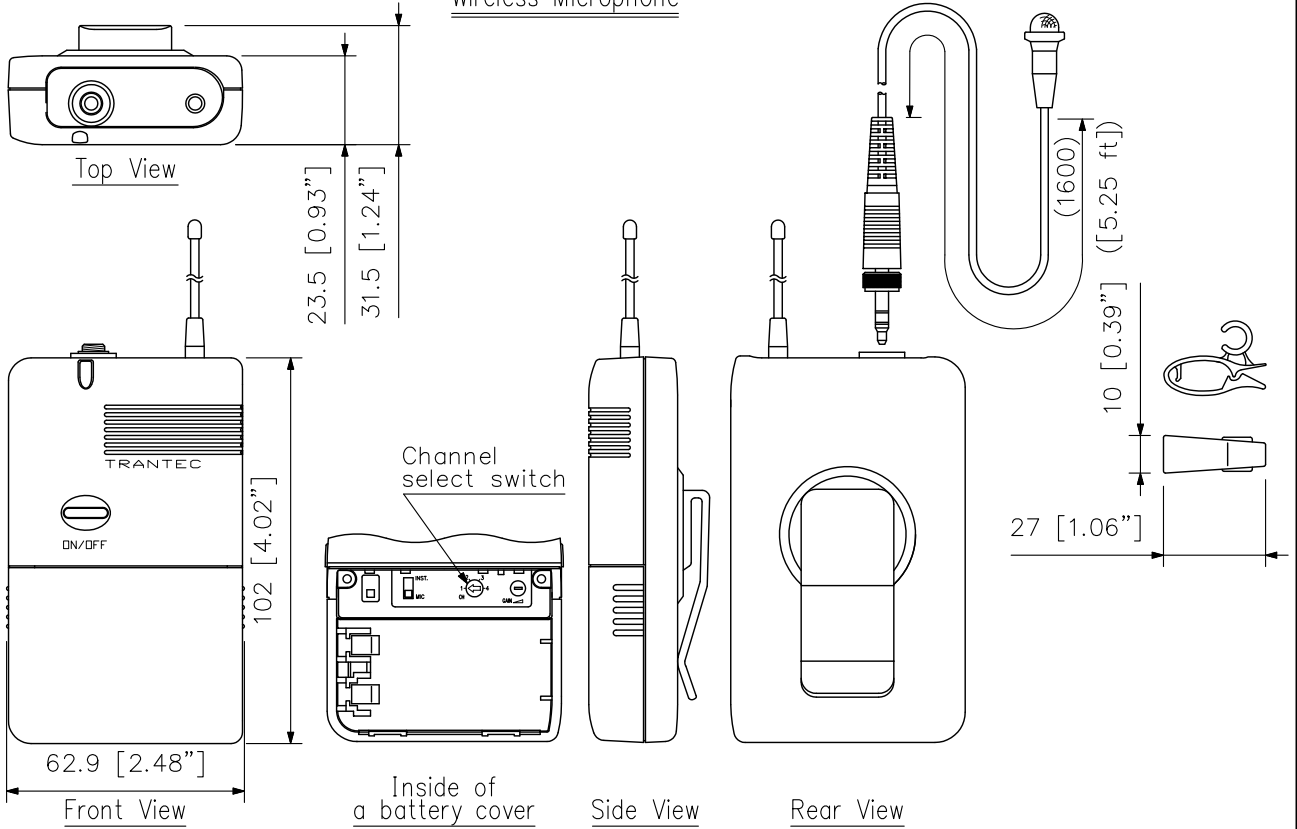
(*1) Version	Frequency Range
UH	742.075/742.800/743.300/743.975 MHz
EA	863.150/863.725/864.150/864.850 MHz

(*2) Version	AC – DC Adapter
EU, UK, A	230 V AC, 50 Hz

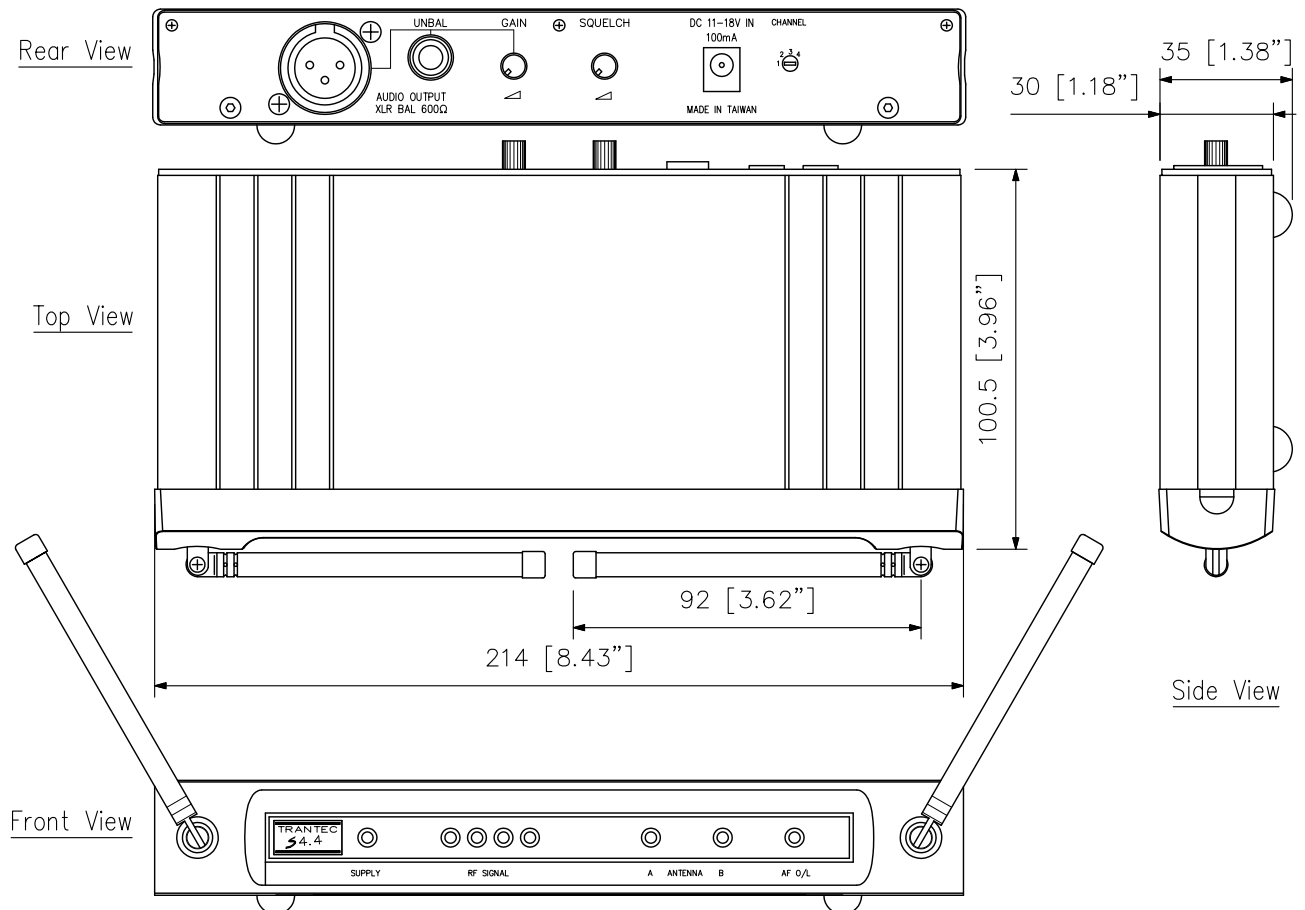
UHF WIRELESS SET

S4.4L-EA-EU
S4.4L-EA-UK
S4.4L-UH-A

Wireless Microphone



Wireless Tuner



UNIT:mm SCALE:1/2

Note: Numerical values in parentheses are for reference only.