

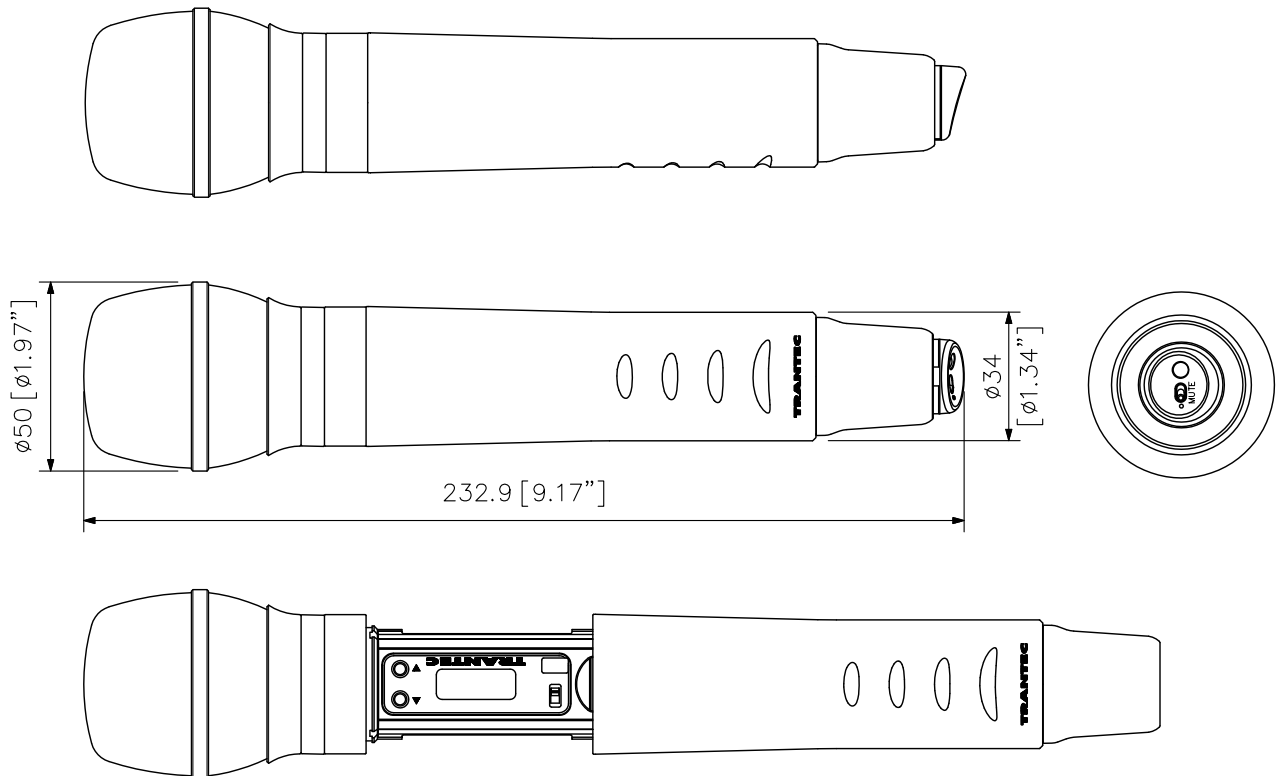
## DESCRIPTION

The S5.3-HCX is a handheld wireless microphone. This features user-friendly operability, and employ an easy-to-read LCD display. Also, it is possible to perform the system settings through infrared communications.

## SPECIFICATIONS

Version	D2	G2
Microphone Element	Electret Condenser microphone unit: cardioid	
Modulation	Frequency modulation	
Frequency Range	854 – 865 MHz, UHF	606 – 622 MHz, UHF
RF Carrier Power	50 mW or less	
Modulation System	PLL synthesized	
Channel Selectable	9 banks, 12 frequencies max/bank	
Maximum Input Level	142 dB SPL (microphone sensitivity: Gain "0")	
Maximum Deviation	±40 kHz	
Audio Frequency Response	90 Hz – 20 kHz	
Dynamic Range	110 dB or more (with S5.3-RX)	
Tone Frequency	32.768 kHz	
Battery	LR6 (AA)	
Battery Life	10 hours (alkaline)	
Indicator	LCD display, Power lamp	
Antenna	Built-in type	
Function	Mute switch, Infra-Red link port, Battery life indicator (4 steps), Microphone sensitivity adjustment (Gain 0-2; 12 dB)	
Operating Temperature	-10 °C to +50 °C (14 °F to 122 °F)	
Finish	Dark gray	
Dimensions	ø50 × 232.9 mm (ø1.97" × 9.17")	
Weight	300 g (0.66 lb) (with battery)	
Accessory	Microphone holder W3/8" (with stand adapter) ...1, Color ring (6 colors) ...6	

## APPEARANCE



UNIT:mm SCALE:1/2