

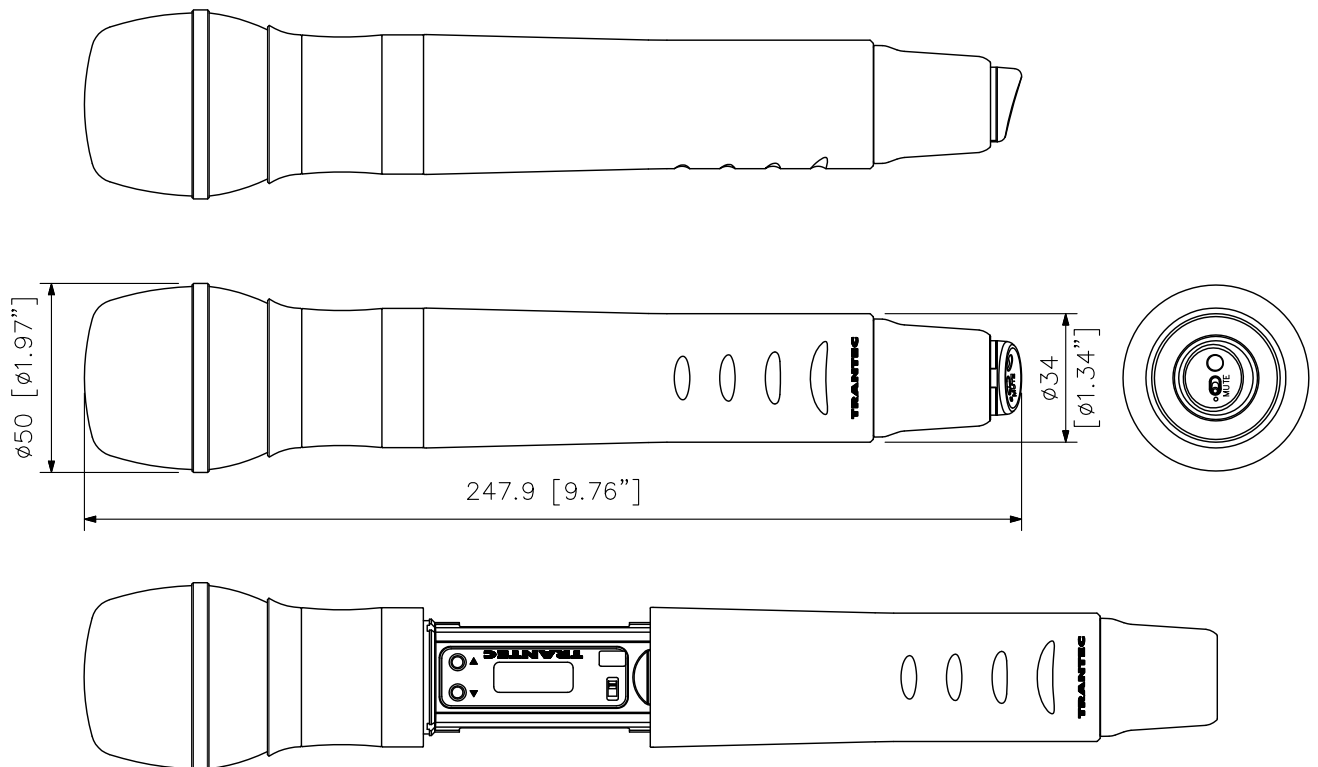
DESCRIPTION

The S5.3-HDX is a handheld wireless microphone. This features user-friendly operability, and employ an easy-to-read LCD display. Also, it is possible to perform the system settings through infrared communications.

SPECIFICATIONS

Version	D2	G2
Microphone Element	Dynamic microphone unit: Hyper cardioid	
Modulation	Frequency modulation	
Frequency Range	854 - 865 MHz, UHF	606 - 622 MHz, UHF
RF Carrier Power	50 mW or less	
Modulation System	PLL synthesized	
Channel Selectable	9 banks, 12 frequencies max/bank	
Maximum Input Level	146 dB SPL (microphone sensitivity: Gain "0")	
Maximum Deviation	±40 kHz	
Audio Frequency Response	60 Hz - 20 kHz	
Dynamic Range	110 dB or more (with S5.3-RX)	
Tone Frequency	32.768 kHz	
Battery	LR6 (AA)	
Battery Life	10 hours (alkaline)	
Indicator	LCD display, Power lamp	
Antenna	Built-in type	
Function	Mute switch, Infra-Red link port, Battery life indicator (4 steps), Microphone sensitivity adjustment (Gain 0-2; 12 dB)	
Operating Temperature	-10 °C to +50 °C (14 °F to 122 °F)	
Finish	Dark gray	
Dimensions	ø50 × 247.9 mm (ø1.97" × 9.76")	
Weight	380 g (0.84 lb) (with battery)	
Accessory	Microphone holder W3/8" (with stand adapter) ...1, Color ring (6 colors) ...6	

APPEARANCE



UNIT:mm SCALE:1/2