

UHF WIRELESS MICROPHONE (Handheld)

S5.5-HCX-B2W
S5.5-HCX-C1W
S5.5-HCX-D3W
S5.5-HCX-G1W

DESCRIPTION

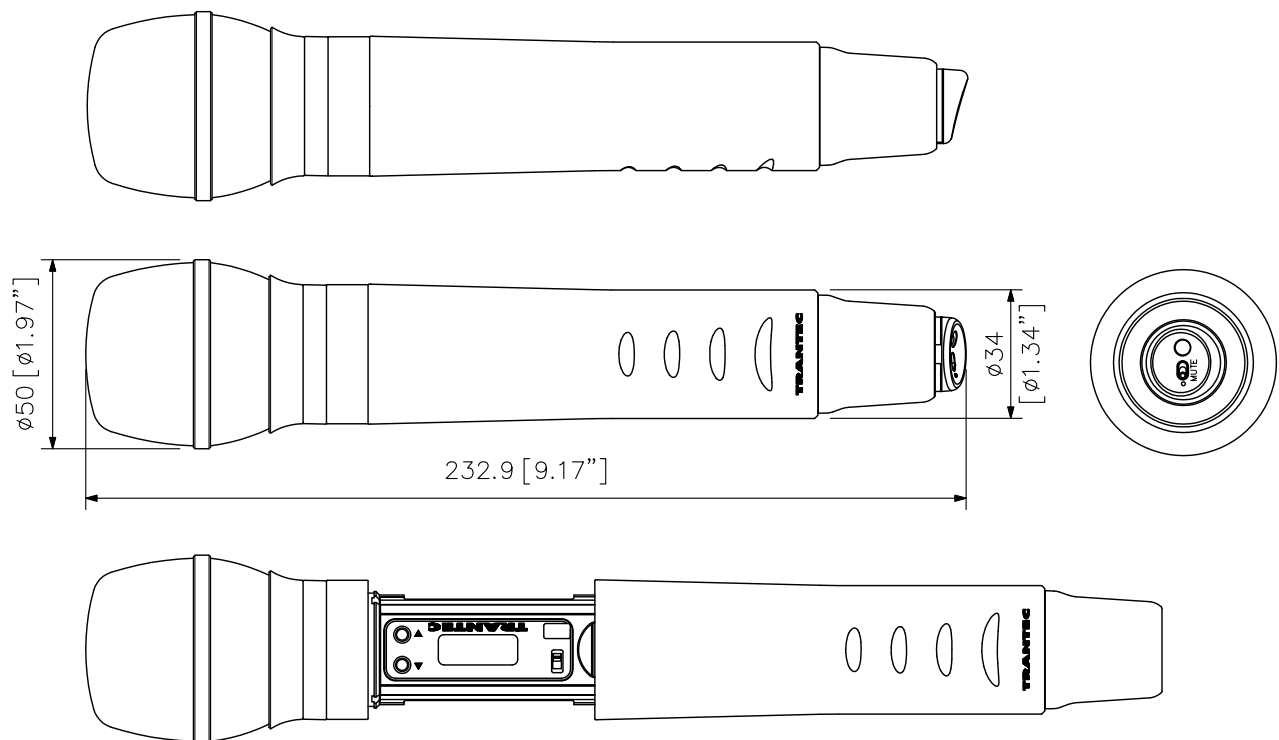
The S5.5-HCX is a handheld wireless microphone. This features user-friendly operability, and employ an easy-to-read LCD display. Also, it is possible to perform the system settings through infrared communications.

SPECIFICATIONS

Microphone Element	Electret Condenser microphone unit: cardioid
Modulation	Frequency modulation
RF Carrier Power	50 mW or less
Modulation System	PLL synthesized
Channel Selectable	10 banks, 24 frequencies max/bank (the number of channels may differ from country to country)
Maximum Input Level	142 dB SPL (microphone sensitivity: Gain "0")
Maximum Deviation	±40 kHz
Audio Frequency Response	90 Hz - 20 kHz
Dynamic Range	110 dB or more (with S5.5-RX)
Tone Frequency	32.768 kHz
Battery	LR6 (AA)
Battery Life	10 hours (alkaline)
Indicator	LCD display, Power lamp
Antenna	Built-in type
Function	Mute switch, Infra-Red link port, Battery life indicator (4 steps), Microphone sensitivity adjustment (Gain 0-2; 12 dB)
Operating Temperature	-10 °C to +50 °C (14 °F to 122 °F)
Finish	Dark gray
Dimensions	ø50 × 232.9 mm (ø1.97" × 9.17")
Weight	300 g (0.66 lb) (with battery)
Accessory	Microphone holder W3/8" (with stand adapter) ...1, Color ring (6 colors) ...6

Version	Receiving Frequency
B2	740 - 752 MHz, UHF
C1	794 - 830 MHz, UHF
D3	830 - 865 MHz, UHF
G1	606 - 638 MHz, UHF

APPEARANCE



UNIT:mm SCALE:1/2