

## DESCRIPTION

The S5.5-HD includes a handheld wireless microphone and a true diversity tuner. Both of them feature user-friendly operability, and employ an easy-to-read LCD display. Also, it is possible to perform the system settings through infrared communications, and monitor the system status using the supplied PC software.

## SPECIFICATIONS

Version	A1	C1	D3
Product Composition	Handheld wireless microphone S5.5-HDX ...1, Diversity tuner S5.5-RX ...1		
Frequency Range	692 - 722 MHz, UHF	794 - 830 MHz, UHF	830 - 865 MHz, UHF
Channel Selectable	10 banks, 24 frequencies max/bank (the number of channels may differ from country to country)		
Tone Frequency	32.768 kHz		
Operating Temperature	-10 °C to +50 °C (14 °F to 122 °F)		
Accessory	CD (PC Monitoring Software) ...1, BNC cable ...2, AC adapter ...1, Microphone holder W3/8" (with stand adapter) ...1, Wireless antenna ...2, Antenna blanking cap ...2, Color ring (6 colors) ...6, Rack mount kit ...1		

### Wireless microphone

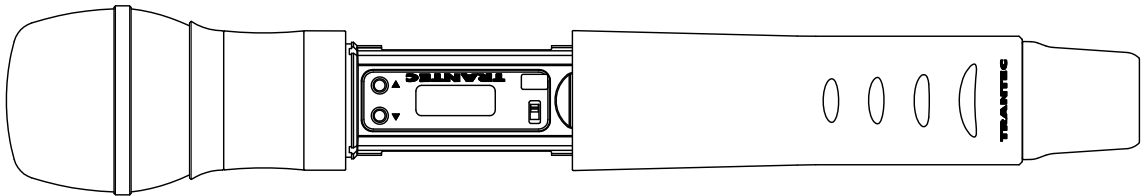
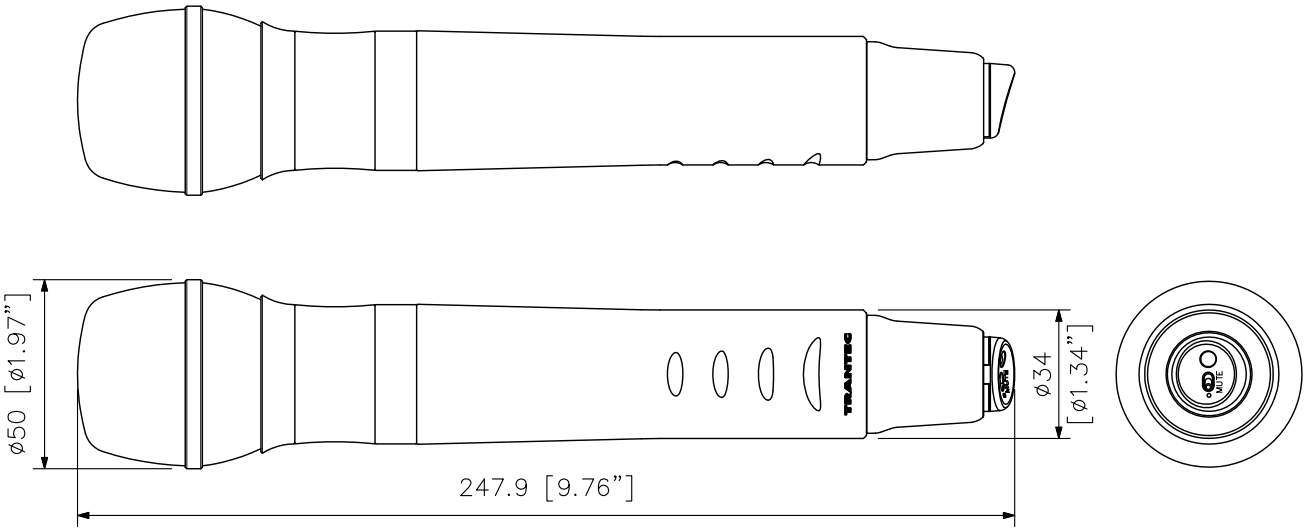
Microphone Element	Dynamic microphone unit: Hyper cardioid
Modulation	Frequency modulation
RF Carrier Power	50 mW or less
Tone Frequency	32.768 kHz
Modulation System	PLL synthesized
Maximum Input Level	146 dB SPL (microphone sensitivity: Gain "0")
Maximum Deviation	±40 kHz
Audio Frequency Response	60 Hz - 20 kHz
Dynamic Range	110 dB or more (with S5.5-RX)
Battery	LR6 (AA)
Battery Life	10 hours (alkaline)
Indicator	LCD display, Power lamp
Antenna	Built-in type
Function	Mute switch, Infra-Red link port, Battery life indicator (4 steps), Microphone sensitivity adjustment (Gain 0-2; 12 dB)
Finish	Dark gray
Dimensions	∅50 × 247.9 mm (∅1.97" × 9.76")
Weight	380 g (0.84 lb) (with battery)

### Wireless tuner

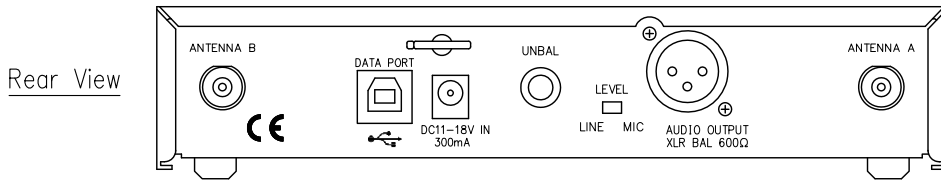
\* 0 dB = 1 V

Version	A1	C1/D3
Power Source	120 V AC, 60 Hz (supplied AC adapter must be used)	230 V AC, 50 Hz
Power Consumption	300 mA (13 V DC)	
Receiving System	Double super-heterodyne	
Diversity System	Space diversity (true diversity)	
Audio Output	LINE: -22 dB*/MIC: -62 dB* LINE/MIC selectable, 600 Ω, balanced, XLR-3-32 type connector Headphone: max. 100 mW 16 Ω, unbalanced, phone jack -28 dB*, 600 Ω, unbalanced, phone jack	
Antenna Input	50 Ω, BNC	
Antenna Phantom Power	9 V DC, 30 mA (max) (Available to turn off phantom power)	
Receiving Sensitivity	0 dBμV or less (12 dB SINAD)	
Squelch Sensitivity	6 - 36 dBμV variable	
Squelch System	Using together of noise SQ, carrier SQ and tone SQ	
Tone Frequency	32.768 kHz	
Indicator	LCD, Power lamp, Mute lamp, ANT A/B lamp	
Signal to Noise Ratio	110 dB or more (A-weight)	
Harmonic Distortion	1 % or less (typical)	
Frequency Response	50 Hz - 20 kHz, ±3 dB	
Function	Audio Low-cut, High-boost and phase reverse, Battery indicator (7 steps), Headphone output, Infra-Red link port, Channel scan, Monitoring software with USB connectivity	
Finish	Chassis: Steel, dark gray, painting Front panel: Anodized aluminum, silver	
Dimensions	210 (W) × 46 (H) × 210 (D) mm (8.27" × 1.81" × 8.27") (excluding antenna)	
Weight	1.3 kg (2.87 lb)	

■ APPEARANCE

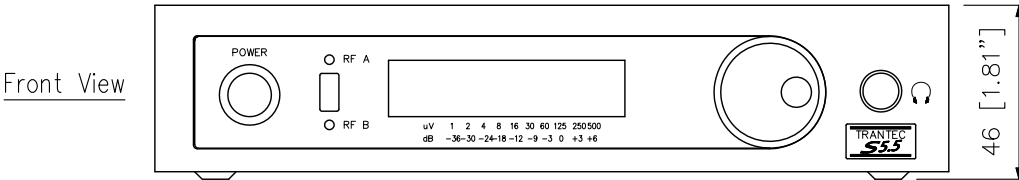


Wireless microphone



Rear View

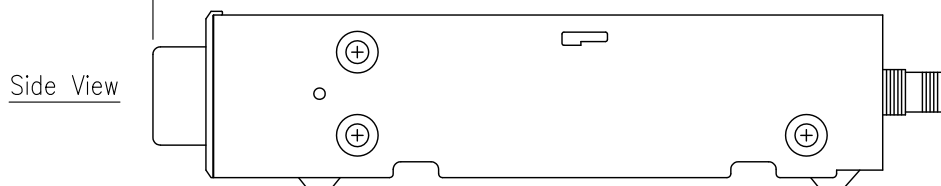
210 [8.27"]



Front View

46 [1.81"]

210 [8.27"]



Side View

Wireless tuner

UNIT: mm SCALE: 1/2