

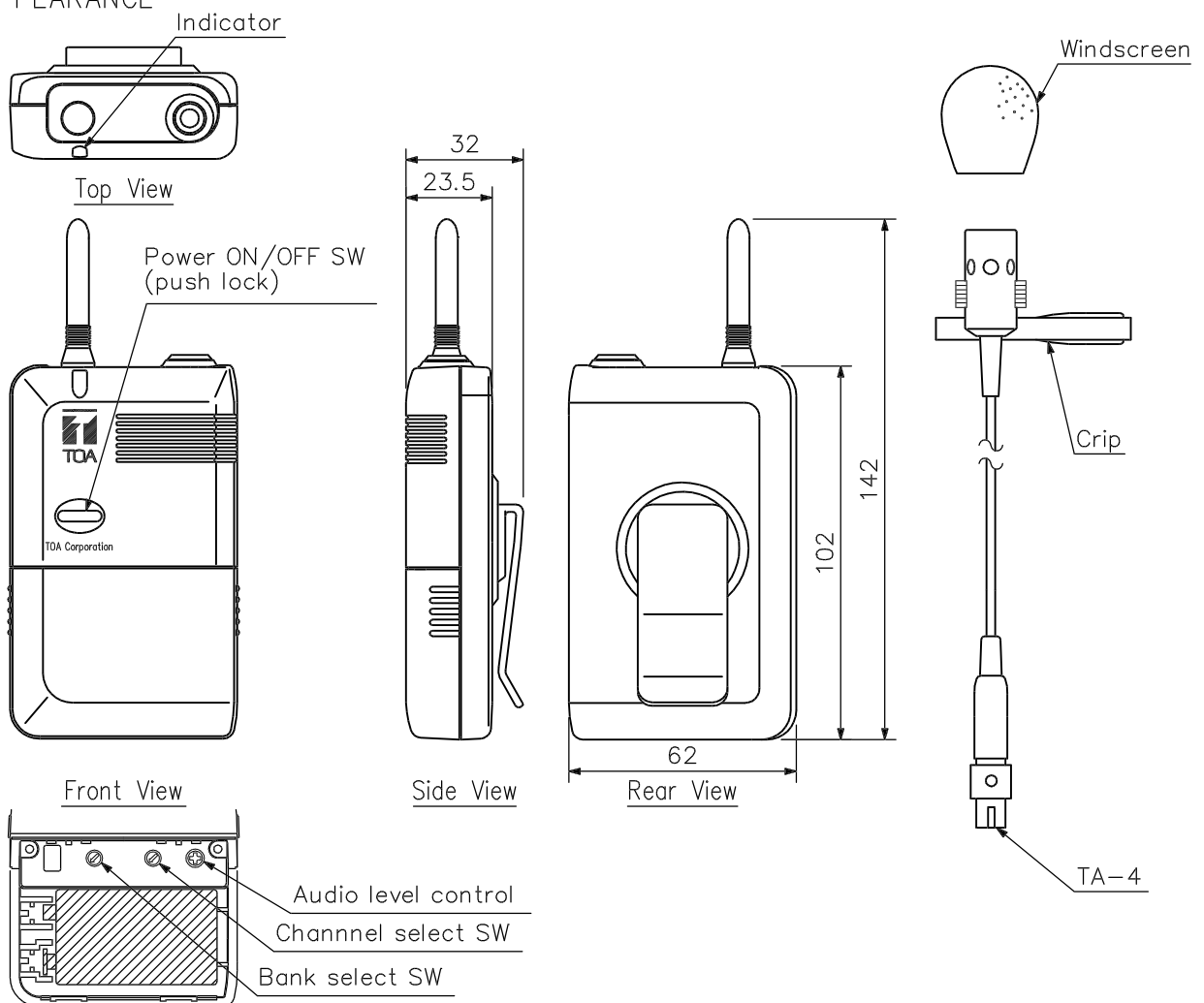
DESCRIPTION

The WM-4300 lavalier wireless microphone has been manufactured for use with a UHF system. It incorporates a cardioid pick-up pattern and has been designed for use in vocal and speech reinforcement applications. The built-in compressor-expander circuit minimizes the influence from ambient noise.

SPECIFICATIONS

Microphone	Electret condenser microphone, cardioid
Emission	F3E
Frequency Range	794 - 865 MHz, UHF
Channel Selectable	64 selectable frequencies (international may vary)
RF Carrier Power	Less than 50 mW
Tone Frequency	32.768 kHz
Modulation System	PLL synthesizer
Maximum Input Level	120 dB SPL
Battery	6LR61 (9 V X 1)
Battery Life	10 hours (alkaline)
Indicator	Power/Battery indicator (common use)
Antenna	1/4 λ herical antenna
Operating Temperature	-10°C to +50°C
Finish	Resin, coating (change other's)
Dimensions	62 (W) x 142 (H) x 32 (D) mm
Weight	135 g (with battery)
Accessory	Screw driver.....1, Storage case.....1

APPEARANCE



UNIT:mm SCALE:1/2