

DESCRIPTION

The WT-5100 is a Portable Receiver designed to receive UHF band radio signals. An optional earphone is required.

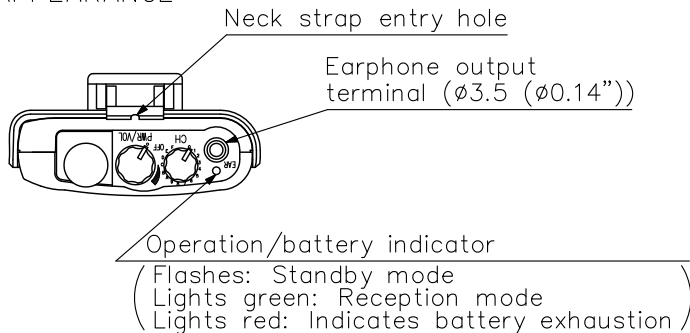
SPECIFICATIONS

Power Source	1.5 V DC (Battery)
Receiving Frequencies	576 - 865 MHz (*1), UHF
Channel Selectable	16 selectable frequencies
Receiving System	Double super-heterodyne
Receiving Sensitivity	60 dB or more, Signal to Noise ratio (20 dB $\mu$ V input, $\pm$ 40 kHz deviation)
Frequency Response	200 Hz - 5 kHz (Portable transmitter to Potable receiver)
De-emphasis	50 $\mu$ s
Output Level	4 mW (16 $\Omega$ load, 10 % distortion)
Battery	WB-2000 rechargeable battery (option) or LR6/AA alkaline dry cell battery
Battery Life	16 hours (when the WB-2000 rechargeable battery is used) 15 hours (when the alkaline battery is used)
Operation Temperature	-10 °C to +50 °C (14 °F to 122 °F) (except battery)
Operating Humidity	30 % to 85 %RH (no condensation)
Finish	Resin, dark silver
Dimensions	62 (W) x 163.6 (H) x 32.5 (D) mm (2.44" x 6.44" x 1.28")
Weight	125 g (0.28 lb) (battery included)
Accessory	Neck strap...1
Option	Battery charger: BC-5000-2, BC-5000-6, BC-5000-12 Ni-MH battery: WB-2000-2 (containing 2 pieces) Ear-suspension earphone: YP-E401, Assist earphone: YP-E5000

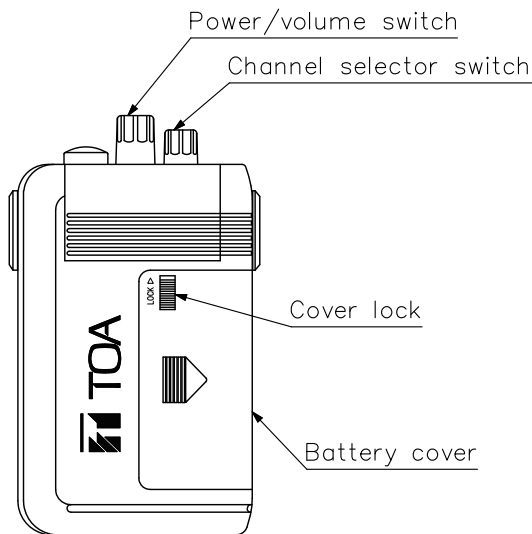
\* When using an earphone not made by TOA, use the one with a 3.5 mm-diameter plug and impedance of over 16  $\Omega$ .

(\*1)

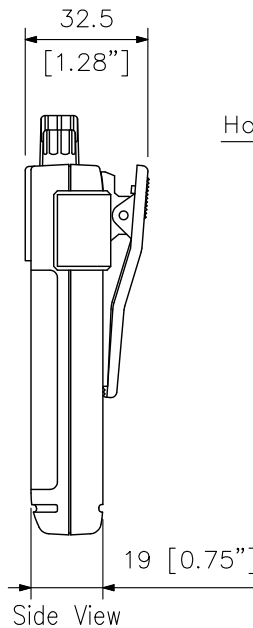
APPEARANCE



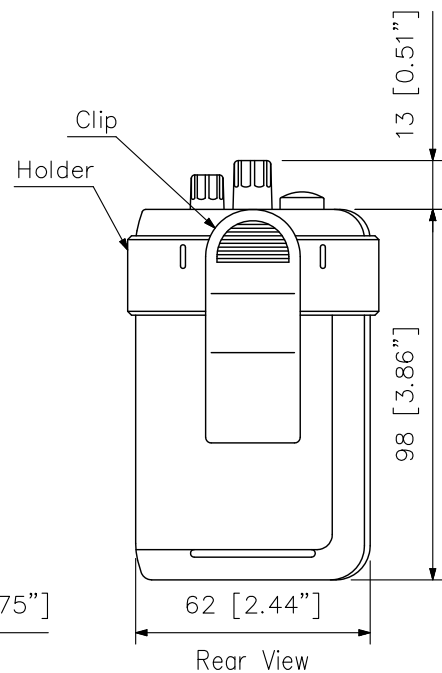
Top View



Front View



Side View



Rear View

Version	Receiving Frequency
A01	692 - 722 MHz, UHF
B01, B02	722 - 752 MHz, UHF
C01 - C07	794 - 830 MHz, UHF
D01 - D05	830 - 865 MHz, UHF
E01	668 - 698 MHz, UHF
F01	636 - 666 MHz, UHF
G01, G02	606 - 636 MHz, UHF
H01	576 - 606 MHz, UHF

Note: For Thailand, B02: 748.3 - 757.7 MHz  
C04: 803.3 - 805.7 MHz

UNIT:mm SCALE:1/2